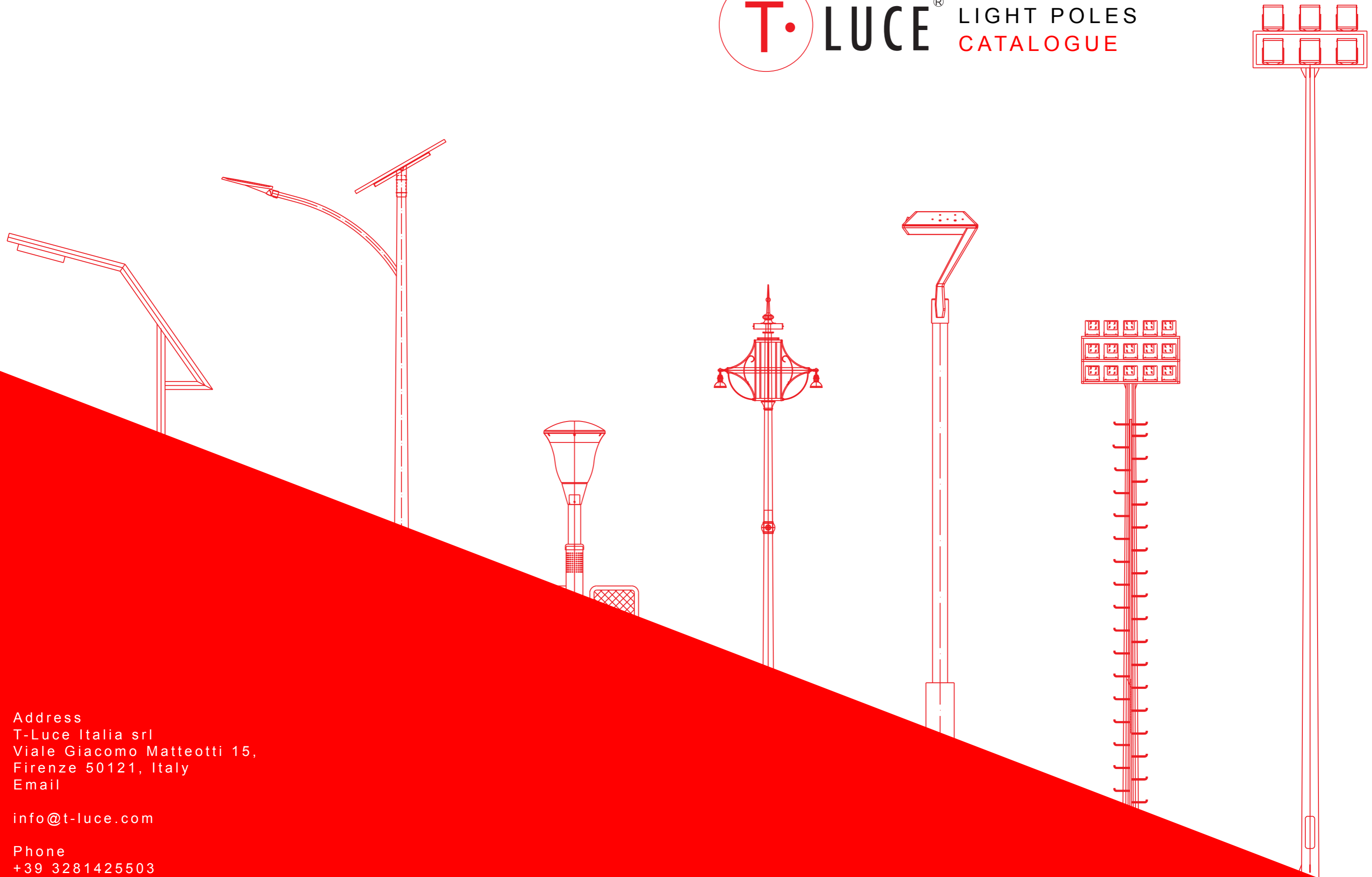


T. LUCE[®] LIGHT POLES
CATALOGUE

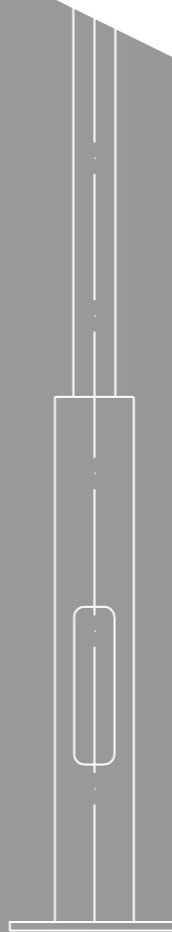
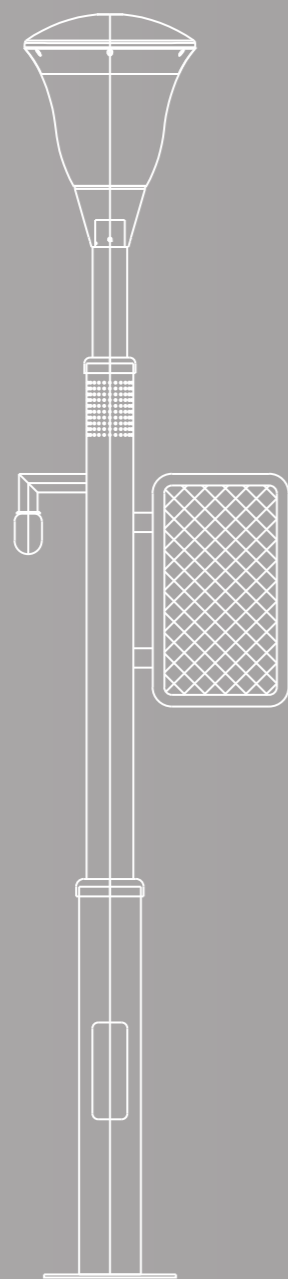
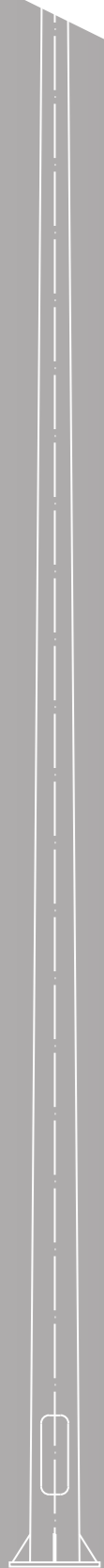


Address
T-Luce Italia srl
Viale Giacomo Matteotti 15,
Firenze 50121, Italy
Email

info@t-luce.com

Phone
+39 3281425503

LIGHT. AN EXPRESSION OF LIFE



ABOUT US

T-Luce is a new and exiting Italian lighting company in todays ever fast evolving architectural lighting market.

Our team consist of professionals that have been in the lighting industry for over 25 years.

Our mission is to excel in delivering and supplying lighting solutions to improve the comfort of the environment we are living in.

With offices in Asia, Middle East and Europe T-Luce is a truly international lighting company.

Our forte is the attention to detail and constant innovation combined with the experience and know how acquired over the years. T-Luce is sharing our passion for light and provides quality lighting solutions for our international clients and partners in today's challenging indoor and outdoor architectural lighting environment.

STEEL POLES



05

SOLAR SOLUTION POLES



33

SMART POLES



39

DECORATIVE POLES



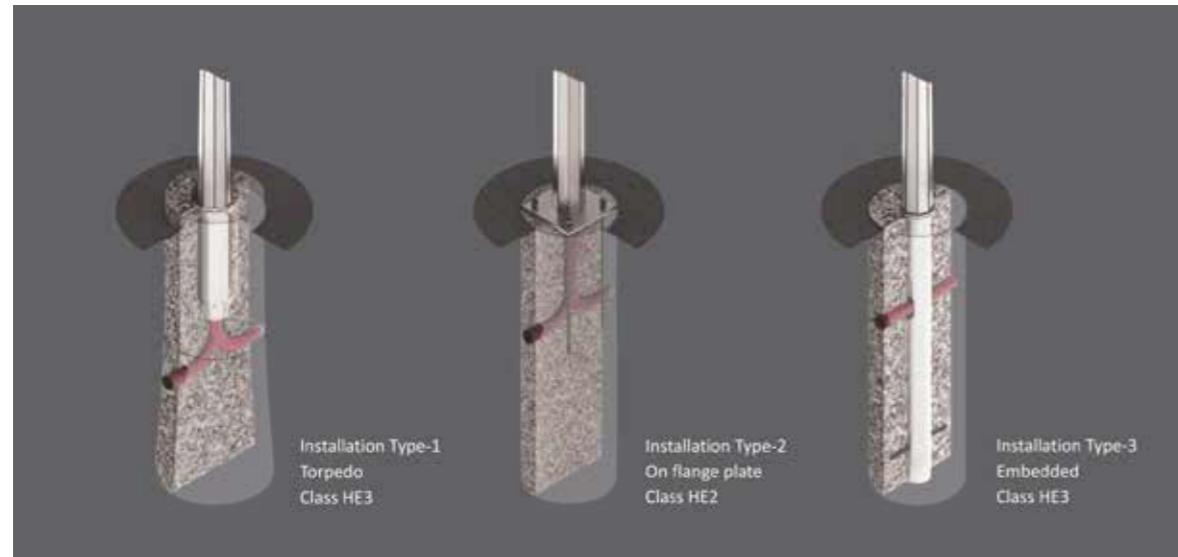
41

ALUMINUM POLES & BRACKET

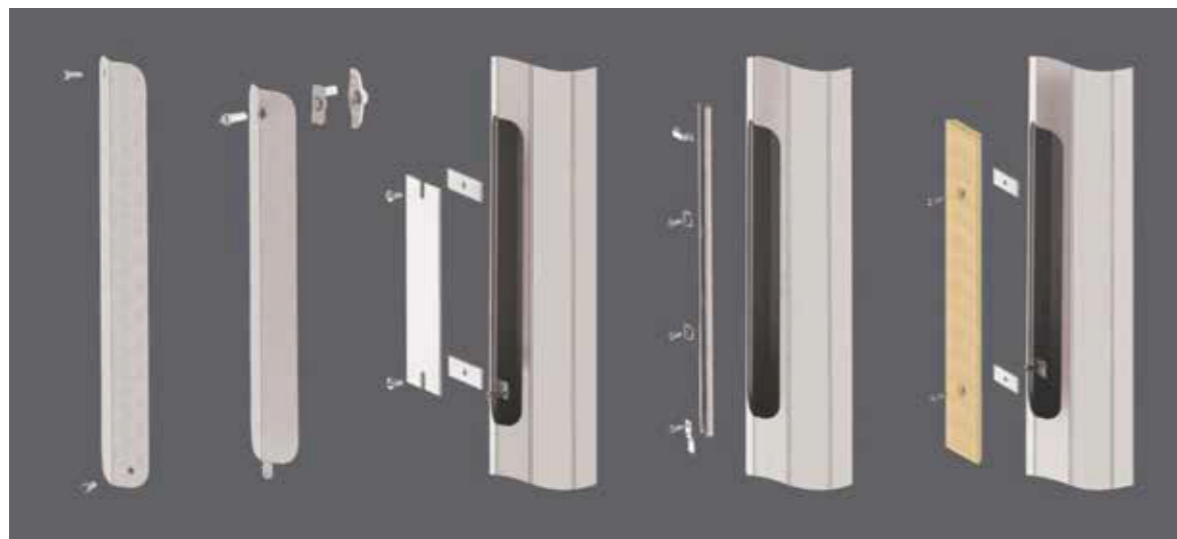


55

INSTALLATION TYPE



DOOR STRUCTURE



PROTECTION

Hot dip galvanization: According to Standard GB/T13912 ISO1461、AS/NZS 4680
Powder Coating or Liquid paint is available on option

WORKSHOP EQUIPMENT



COLORS



ANY OTHER RAL COLOR UPON REQUEST

STEEL POLES



DECORATIVE POLES



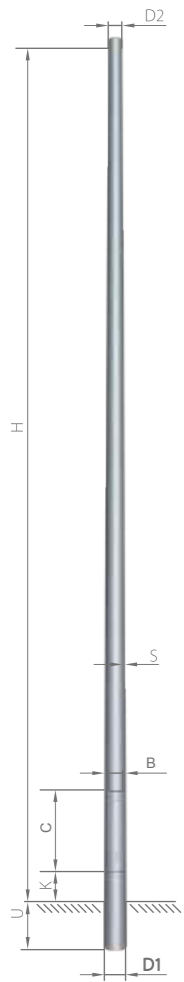
MIDDLE HINGED POLES



GROOVE POLES



WELDED STEPPED POLES



STRAIGHT CONICAL POLES

TECHNICAL FEATURES

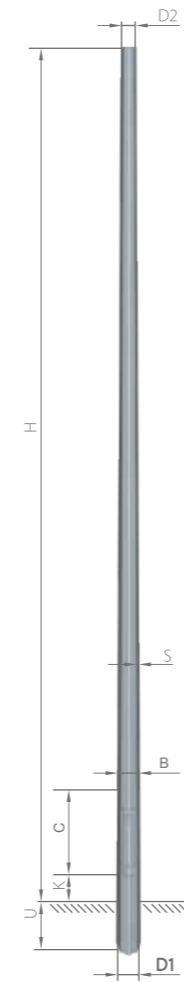
MATERIAL

Q235B,Q345B,SS400

TOLLERANCES

External diameter	±1%
Shapne	±3%of the diam eter
Thickness	±10%
Straightening	±0,3%of total length
Length	±0,5%

Type	H	U	K	C	B	D1	D2	S	M
	(m)	(mm)	(mm)	(mm)	(mm)	(mm)	(mm)	(mm)	(kg)
TLC3500-60	3	500	500	350	55	115	60	3	27
TLC4500-60	4	500	500	350	70	130	60	3	37
TLC5500-60	5	500	500	350	75	130	60	3	44
TLC6500-60	6	500	500	350	80	135	60	3	53
TLC7100-60	6.5	600	750	500	80	135	60	3	57
TLC7100-76	6.5	600	750	500	100	150	76	3	65
TLC8600-60	8	600	750	500	100	160	60	3	77
TLC9100-60	8.5	600	750	500	110	170	60	3	84
TLC9100-76	8.5	600	750	500	110	170	76	4	119
TLC10600-60	10	600	750	500	110	170	60	4	129
TLC11300-60	10.5	800	750	500	120	180	60	4	144
TLC11300-76	10.5	800	750	500	130	190	76	4	159
TLC12800-76	12	800	750	500	140	200	76	4	186



STRAIGHT POLYGONAL POLES

TECHNICAL FEATURES

MATERIAL

Steel:Q235B,Q345B,SS400

TOLLERANCES

External diameter	±1%
Shapne	±3%of the diam eter
Thickness	±10%
Straightening	±0,3%of total length
Length	±0,5%

Type	H	U	K	C	B	D1	D2	S	M
	(m)	(mm)	(mm)	(mm)	(mm)	(mm)	(mm)	(mm)	(kg)
TLC3500-60	3	500	500	350	55	115	60	3	28
TLC4500-60	4	500	500	350	70	130	60	3	38
TLC5500-60	5	500	500	350	75	130	60	3	46
TLC6500-60	6	500	500	350	80	135	60	3	55
TLC7100-60	6.5	600	750	500	80	135	60	3	60
TLC7100-76	6.5	600	750	500	100	150	76	3	69
TLC8600-60	8	600	750	500	100	160	60	3	81
TLC9100-60	8.5	600	750	500	110	170	60	3	89
TLC9100-76	8.5	600	750	500	110	170	76	4	126
TLC10600-60	10	600	750	500	110	170	60	4	137
TLC11300-60	10.5	800	750	500	120	180	60	4	151
TLC11300-76	10.5	800	750	500	130	190	76	4	168
TLC12800-76	12	800	750	500	140	195	76	4	193

STREET LIGHT POLES



TLSL-001



TLSL-002



TLSL-003



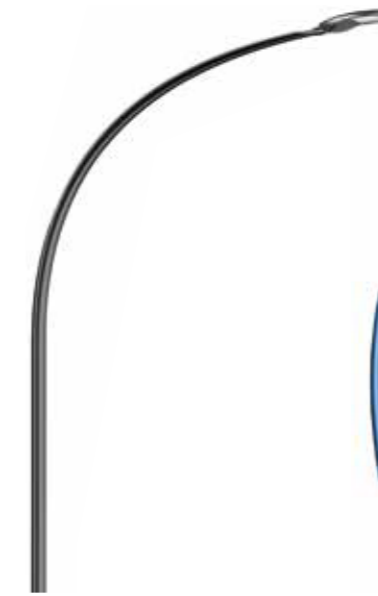
TLSL-004



TLSL-009



TLSL-010



TLSL-011



TLSL-012



TLSL-005



TLSL-006



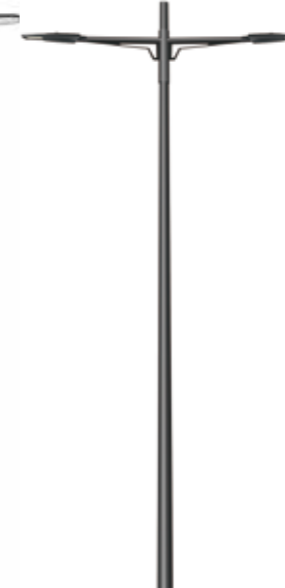
TLSL-007



TLSL-008



TLSL-013



TLSL-014



TLSL-015



TLSL-016

STREET LIGHT POLES



TLSSL-017



TLSSL-018



TLSSL-019



TLSSL-020



TLSSL-025



TLSSL-026



TLSSL-027



TLSSL-028



TLSSL-021



TLSSL-022



TLSSL-023



TLSSL-024



TLSSL-029



TLSSL-030



TLSSL-031



TLSSL-032

STREET LIGHT POLES



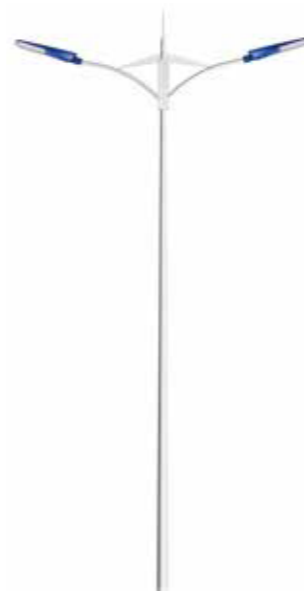
TLSL-033



TLSL-034



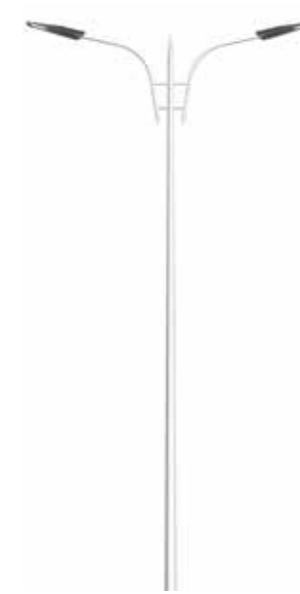
TLSL-035



TLSL-036



TLSL-041



TLSL-042



TLSL-043



TLSL-044



TLSL-037



TLSL-038



TLSL-039



TLSL-040



TLSL-045



TLSL-046



TLSL-047



TLSL-048

STREET LIGHT POLES



TLSL-049



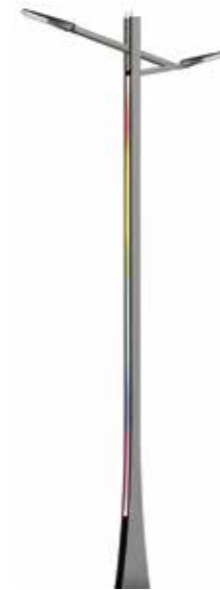
TLSL-050



TLSL-051



TLSL-052



TLSL-057



TLSL-058



TLSL-059



TLSL-060



TLSL-053



TLSL-054



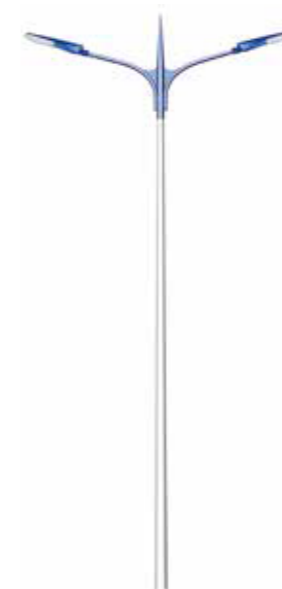
TLSL-055



TLSL-056



TLSL-061



TLSL-062



TLSL-063



TLSL-064

STREET LIGHT POLES



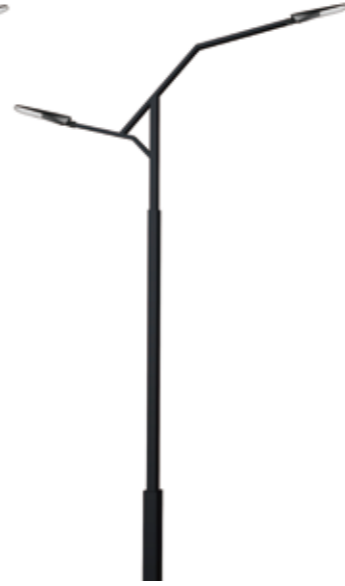
TLSL-065



TLSL-066



TLSL-067



TLSL-068



TLSL-073



TLSL-074



TLSL-075



TLSL-076



TLSL-069



TLSL-070



TLSL-071



TLSL-072



TLSL-077



TLSL-078



TLSL-079



TLSL-080

STREET LIGHT POLES



TLSL-081



TLSL-082



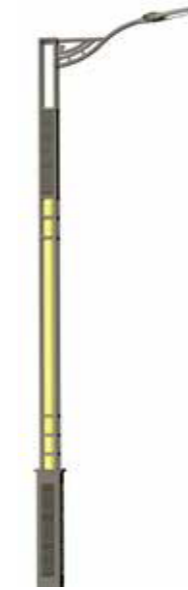
TLSL-083



TLSL-084



TLSL-089



TLSL-090



TLSL-091



TLSL-092



TLSL-085



TLSL-086



TLSL-087



TLSL-088



TLSL-093



TLSL-094



TLSL-095



TLSL-096

STREET LIGHT POLES



TLSL-097



TLSL-098



TLSL-099



TLSL-100



TLSL-101



TLSL-102

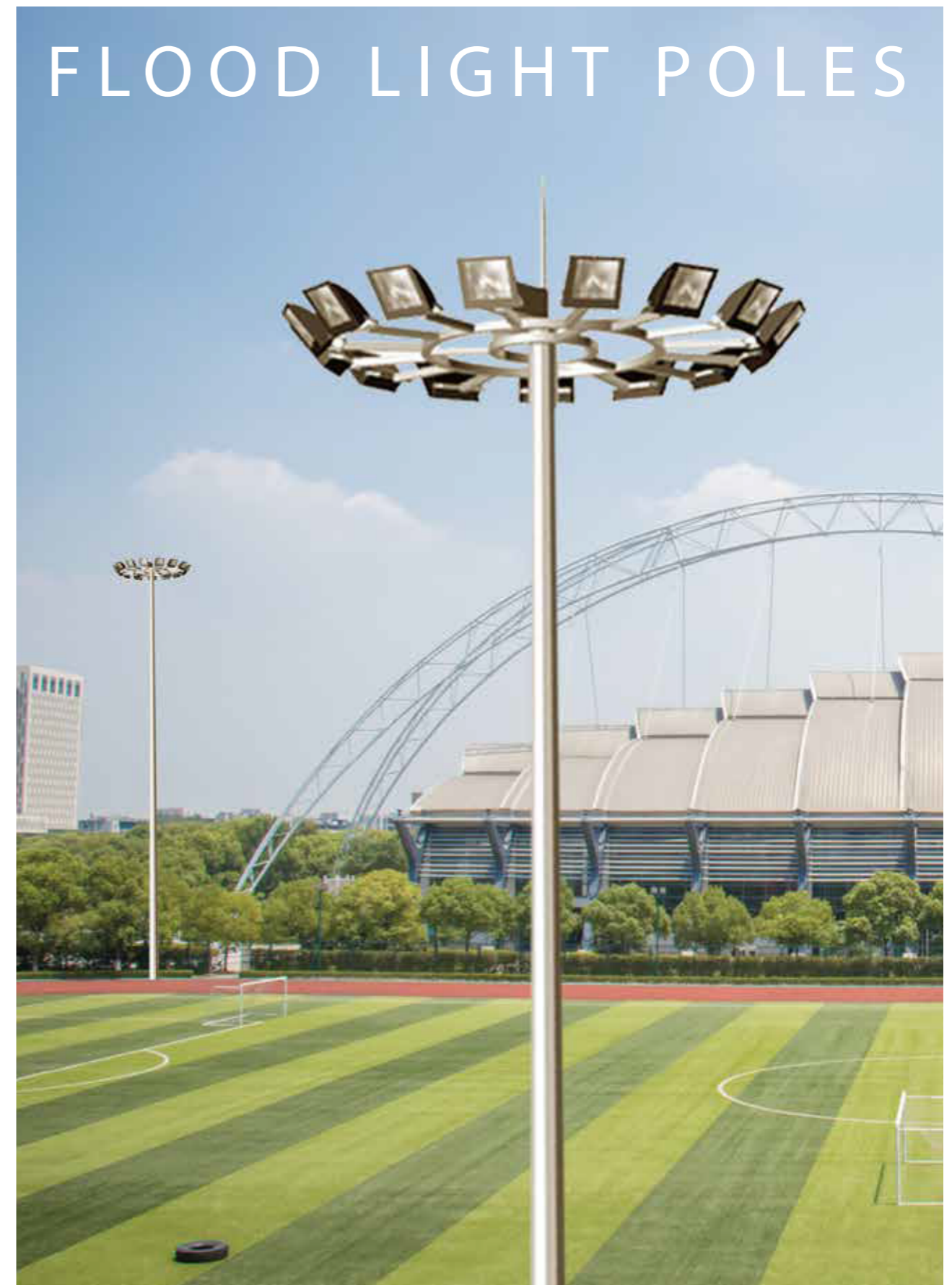


TLSL-103



TLSL-104

FLOOD LIGHT POLES



FLOOD LIGHT POLES



TLFL-001



TLFL-002



TLFL-003



TLFL-004



TLFL-009



TLFL-010



TLFL-011



TLFL-012



TLFL-005



TLFL-006



TLFL-007



TLFL-008



TLFL-013



TLFL-014



TLFL-015



TLFL-016

FLOOD LIGHT POLES



TLFL-017



TLFL-018



TLFL-019



TLFL-020



TLFL-021



TLFL-022



TLFL-023



TLFL-024

THE HIGH POLES



TLFL-025



TLFL-026



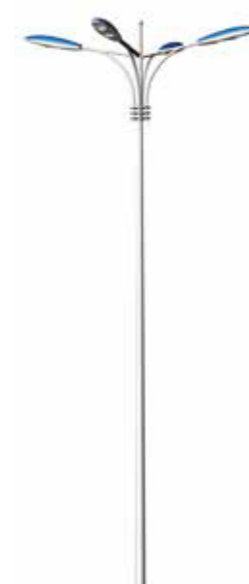
TLFL-027



TLFL-028



TLFL-029



TLFL-030



TLFL-031



TLFL-032

GARDEN LIGHT POLES



TLGL-001



TLGL-002



TLGL-003



TLGL-004



TLGL-009



TLGL-010



TLGL-011



TLGL-012



TLGL-005



TLGL-006



TLGL-007



TLGL-008



TLGL-013



TLGL-014



TLGL-015



TLGL-016

GARDEN LIGHT POLES



TLGL-017



TLGL-018



TLGL-019



TLGL-020



TLGL-025



TLGL-026



TLGL-027



TLGL-028



TLGL-021



TLGL-022



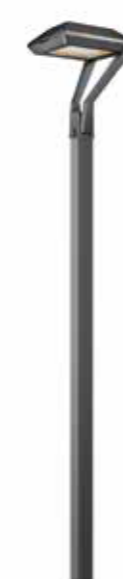
TLGL-023



TLGL-024



TLGL-029



TLGL-030



TLGL-031



TLGL-032

GARDEN LIGHT POLES



TLGL-033



TLGL-034



TLGL-035



TLGL-036



TLGL-041



HYT -042



TLGL-043



TLGL-044



TLGL-037



TLGL-038



TLGL-039



TLGL-040



TLGL-045



TLGL-046



TLGL-047



TLGL-048

SOLAR SOLUTION POLES



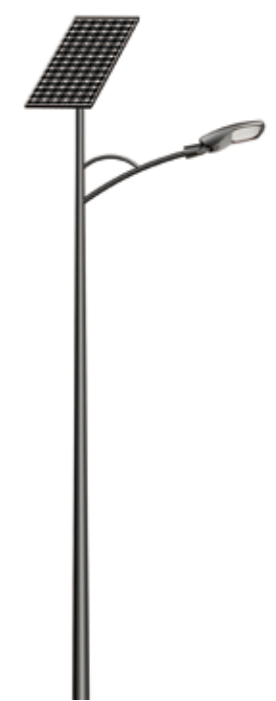
TLSS-001



TLSS-002



TLSS-005



TLSS-006



TLSS-003



TLSS-004



TLSS-007



TLSS-008

SOLAR SOLUTION POLES



TLSS-009



TLSS-010



TLSS-013



TLSS-014



TLSS-011



TLSS-012



TLSS-015



TLSS-016

SOLAR SOLUTION POLES



TLSS-017



TLSS-018



TLSS-019



SMART POLES



TLSP-001



TLSP-002



TLSP-003



TLSP-004



TLSP-005



TLSP-006



TLSP-007



TLSP-008

DECORATIVE POLE



DECORATIVE POLES



TLDP-001



TLDP-002



TLDP-003



TLDP-004

DECORATIVE POLES



TLDP-005



TLDP-006



TLDP-009



TLDP-010



TLDP-007



TLDP-008



TLDP-011



TLDP-012

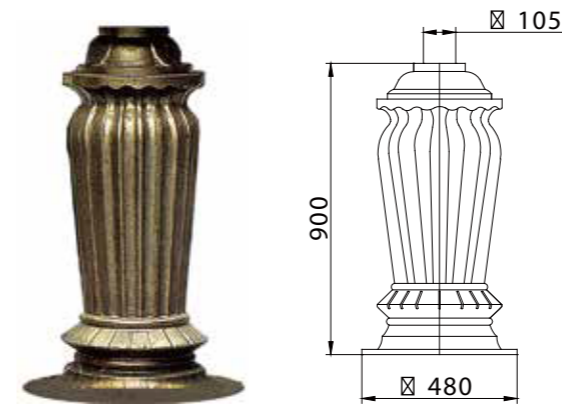
DECORATIVE POLES



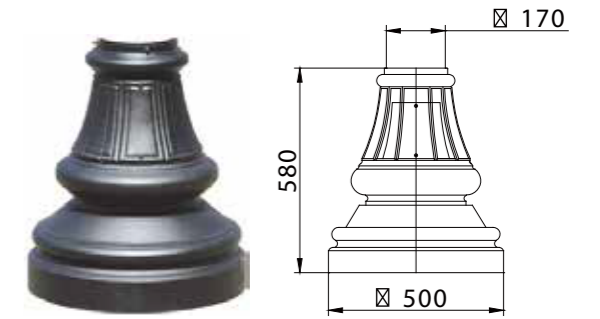
TLDP-013



TLDP-014



TLDZ-001



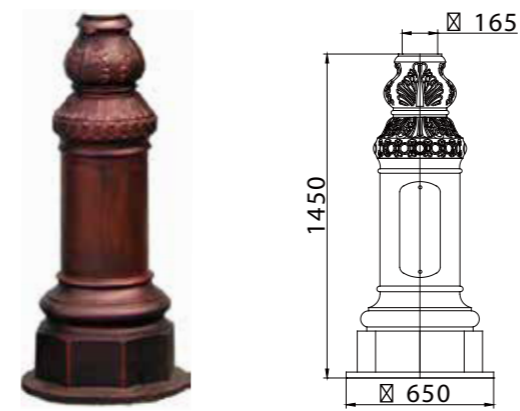
TLDZ-002



TLDP-015



TLDP-016

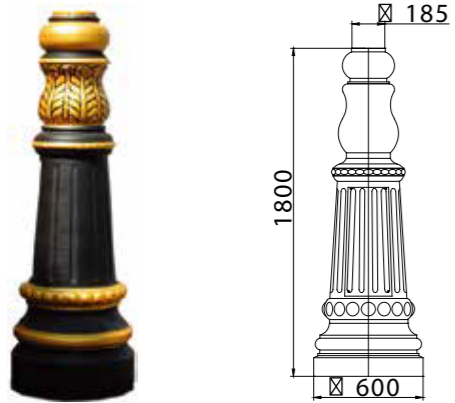


TLDZ-003



TLDZ-004

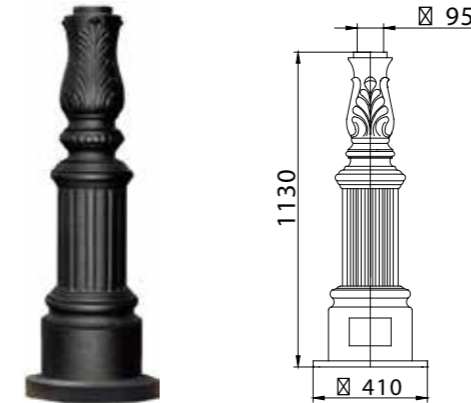
DECORATIVE PEDESTAL



TLDZ-005



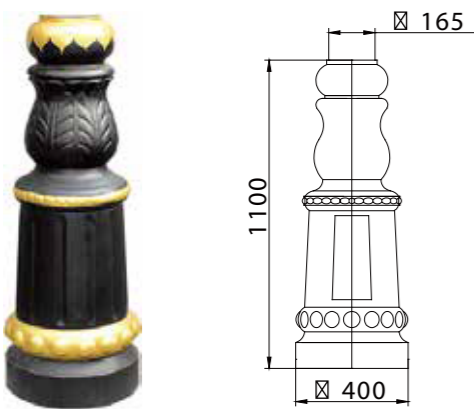
TLDZ-006



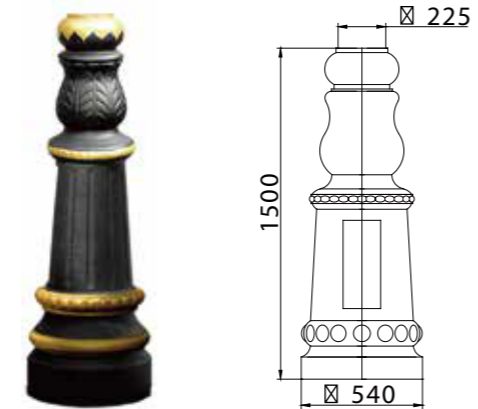
TLDZ-009



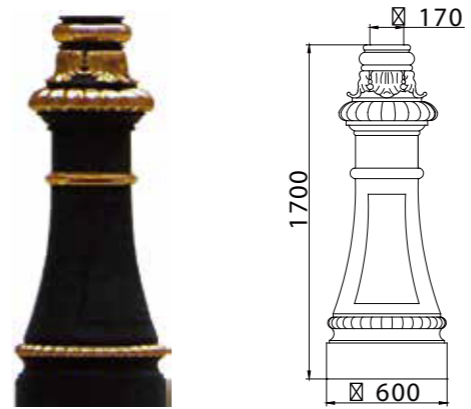
TLDZ-010



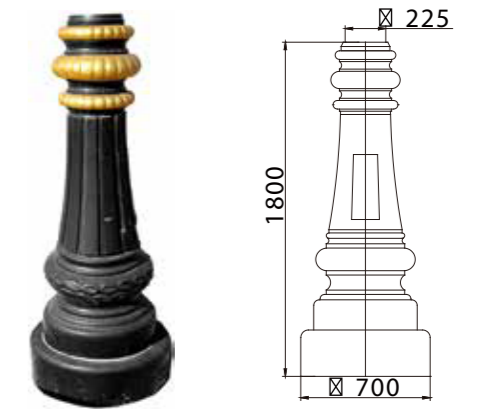
TLDZ-007



TLDZ-008

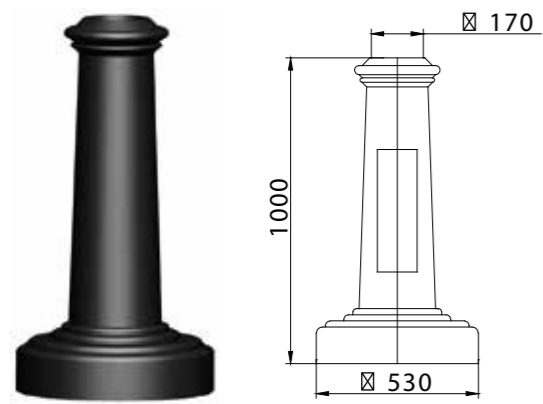


TLDZ-011



TLDZ-012

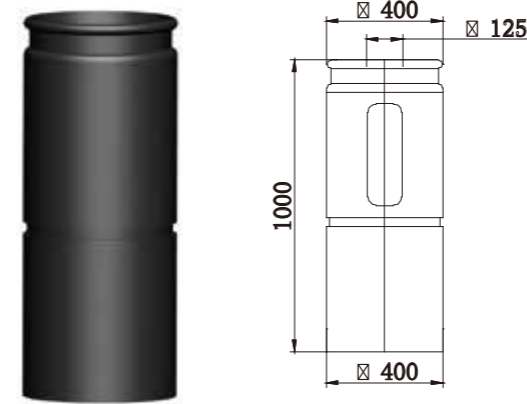
DECORATIVE PEDESTAL



TLDZ-013



TLDZ-014



TLDZ-017



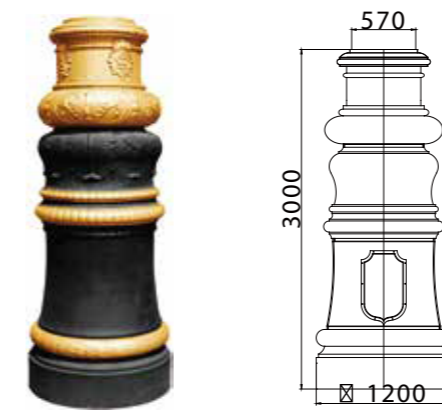
TLDZ-018



TLDZ-015

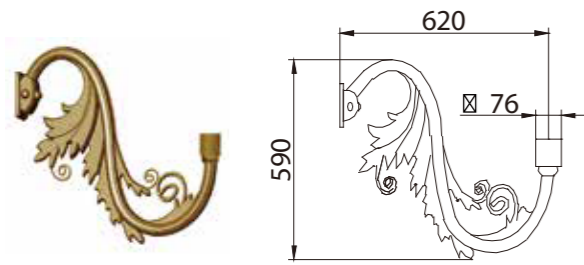


TLDZ-016

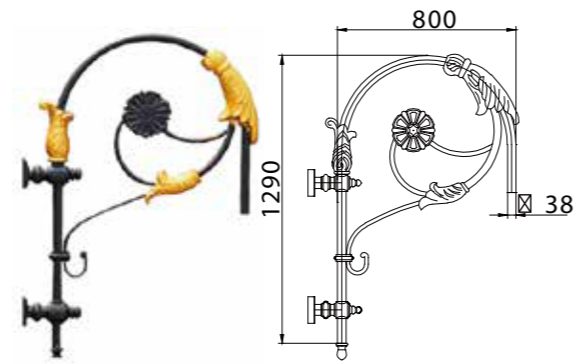


TLDZ-019

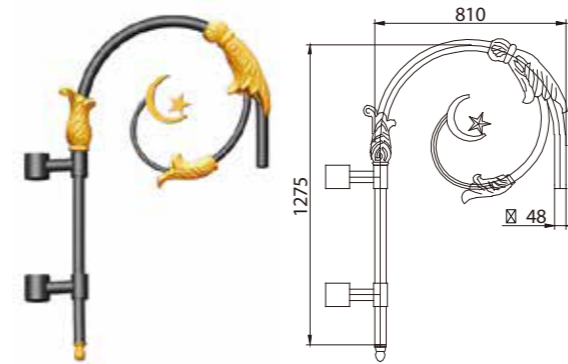
DECORATIVE BRACKET



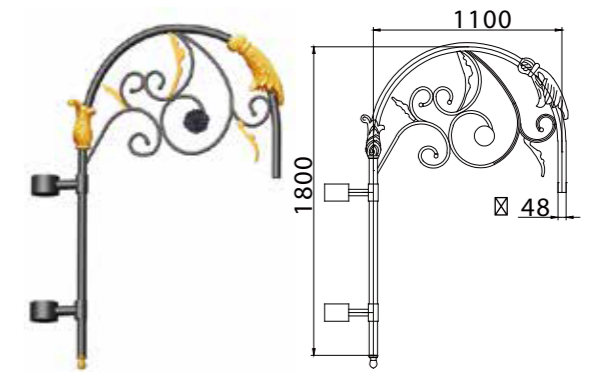
TLDB-001



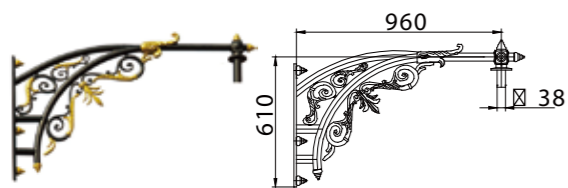
TLDB-002



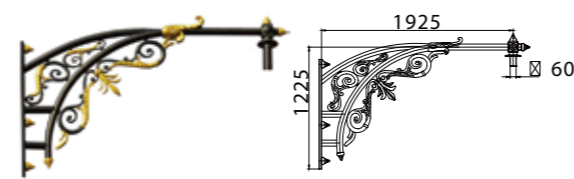
TLDB-005



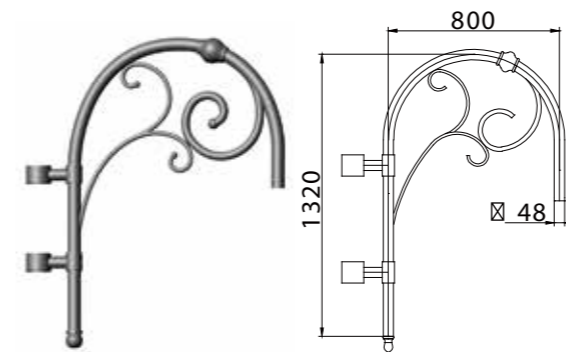
TLDB-006



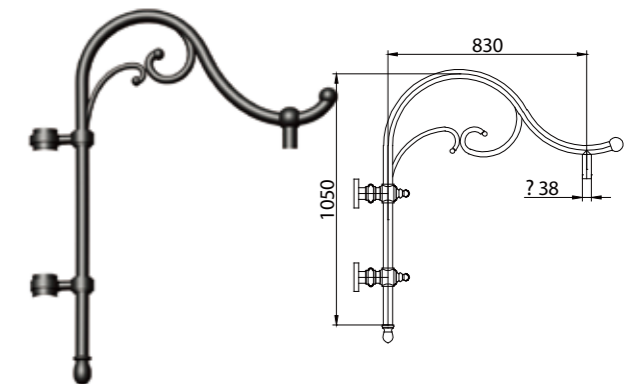
TLDB-003



TLDB-004

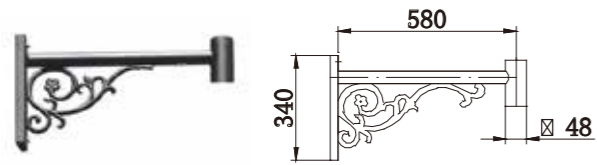


TLDB-007

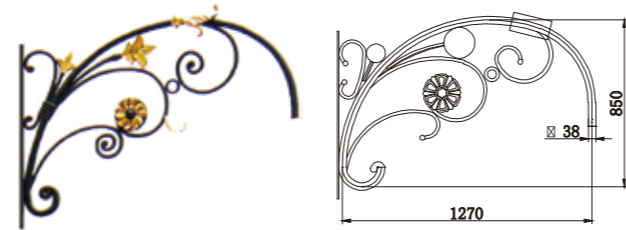


TLDB-008

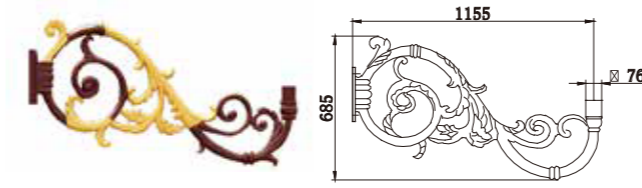
DECORATIVE BRACKET



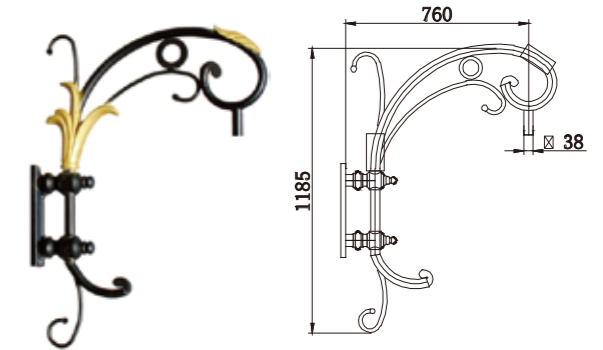
TLDB-009



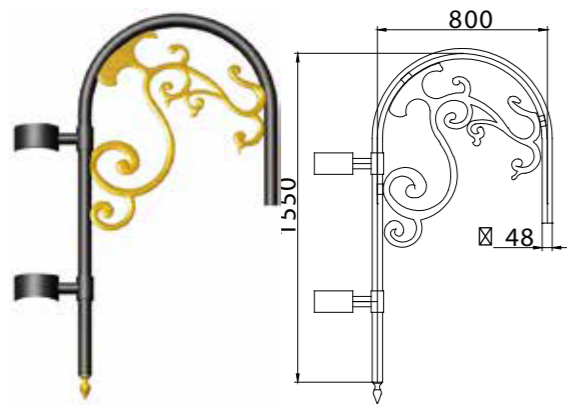
TLDB-010



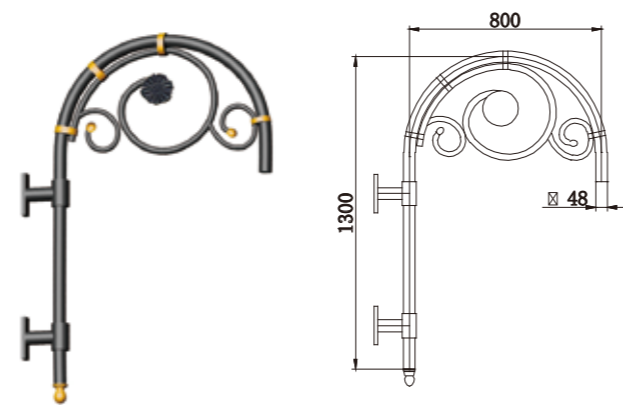
TLDB-013



TLDB-014



TLDB-011



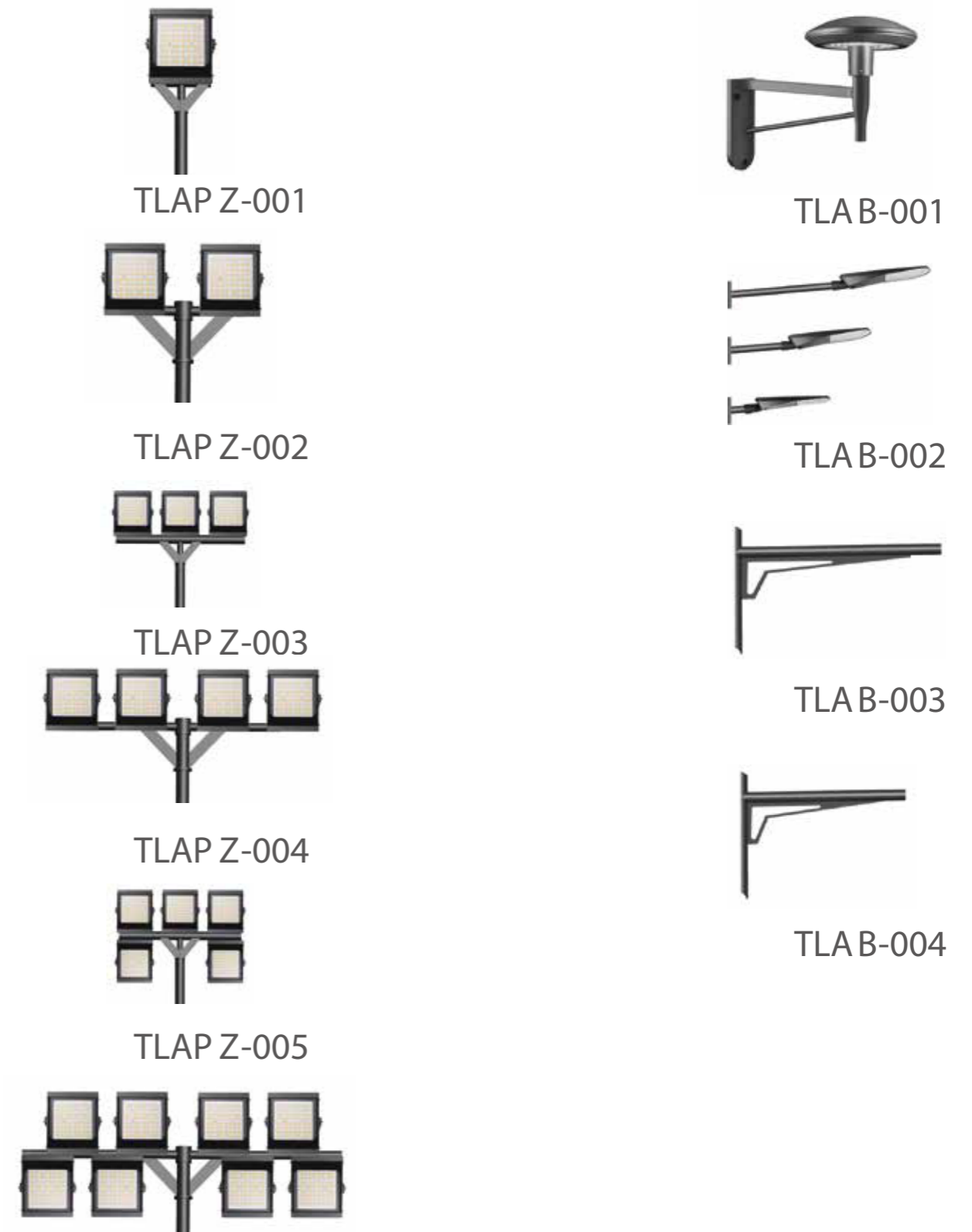
TLDB-012

ALUMINUM POLES



TLAP-001 TLAP-002 TLAP-003 TLAP-004 TLAP-005

BRACKET



TLAP Z-001
TLAP Z-002
TLAP Z-003
TLAP Z-004
TLAP Z-005
TLAP Z-006

TLAB-001
TLAB-002
TLAB-003
TLAB-004

BRACKET



TLJT-001



TLJT-002



TLJT-003



TLJT-004



TLJT-005



TLJT-006



TLJT-007



TLJT-008



TLJT-009

BRACKET



TLZ J-001



TLZ J-002



TLZ J-003



TLZ J-004



TLZ J-005



TLZ J-006



TLZ J-007



TLZ J-008



TLZ J-009



TLZ J-010



TLZ J-011



TLZ J-012



TLZ J-013



TLZ J-014



TLZ J-015



TLZ J-016



TLZ J-017



TLZ J-018