



RETROFIT LAMP POST



LED Engine-retrofit

ONE SIZE



TL-LED02

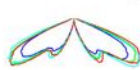


Optics available

5050



36*1

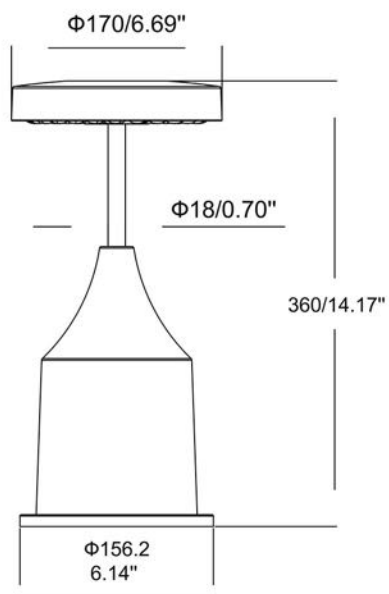


G11C36-T3

C12C36-T5

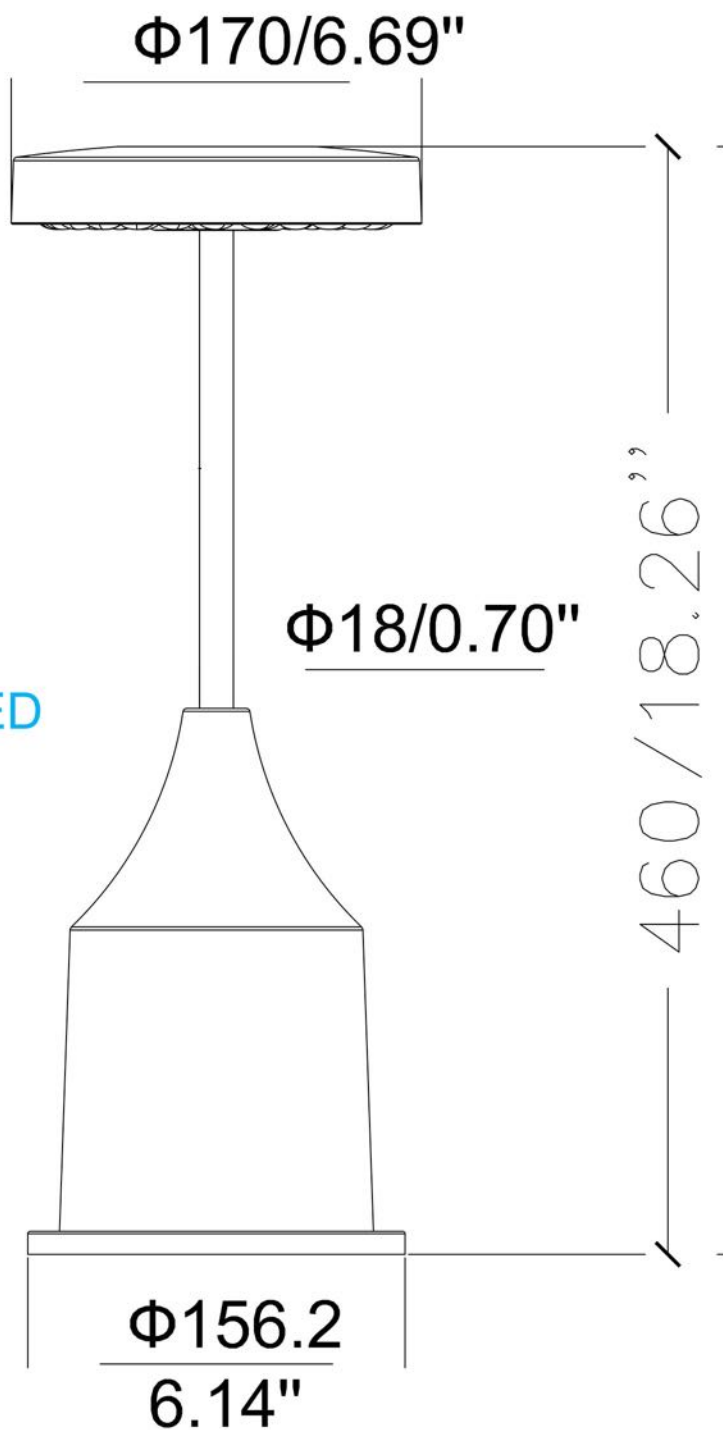
Parameter	Technical data	Parameter	Technical data
Life □ me	Up to 100,000hrs LM70,Ta 25°C	Driver isola □ on	Class I or Class II
Wa □ ags	30~50W	Control dimming	DALI / 1-10V / Timing / PWM
Light efficacy	Up to 130lm/W	Opera □ ng temperature	-35°C~50°C / 10% ~ 95% (humidity)
CRI	≥ 70 or ≥ 80	Body parts material	Die cast Aluminum
Color temperature	3000K, 4000K, Amber color	Op □ c	PC (standard) / PMMA (op □ on)
Opera □ on voltage	AC 90-305V or AC 220-240V	Screen	Flat tempered glass 5mm thickness
Frequency	50 / 60Hz	Gasket	Silicone
Power factor	≥0.95 cos	Color stability	3 or 5 MacAdam steps

Order code	Chip	LED QTY	Lens Type	Power	Luminaire efficacy Up to(lm/W)	Lifespan L70/B10
902101	5050	24	24	30W	130	> 54,000hrs
902102	5050	30	30	40W	130	> 54,000hrs
902103	5050	36	36	50W	130	> 54,000hrs



TL-02

HEIGHT CAN BE ADJUSTED



TL-02



SYMMETRIC





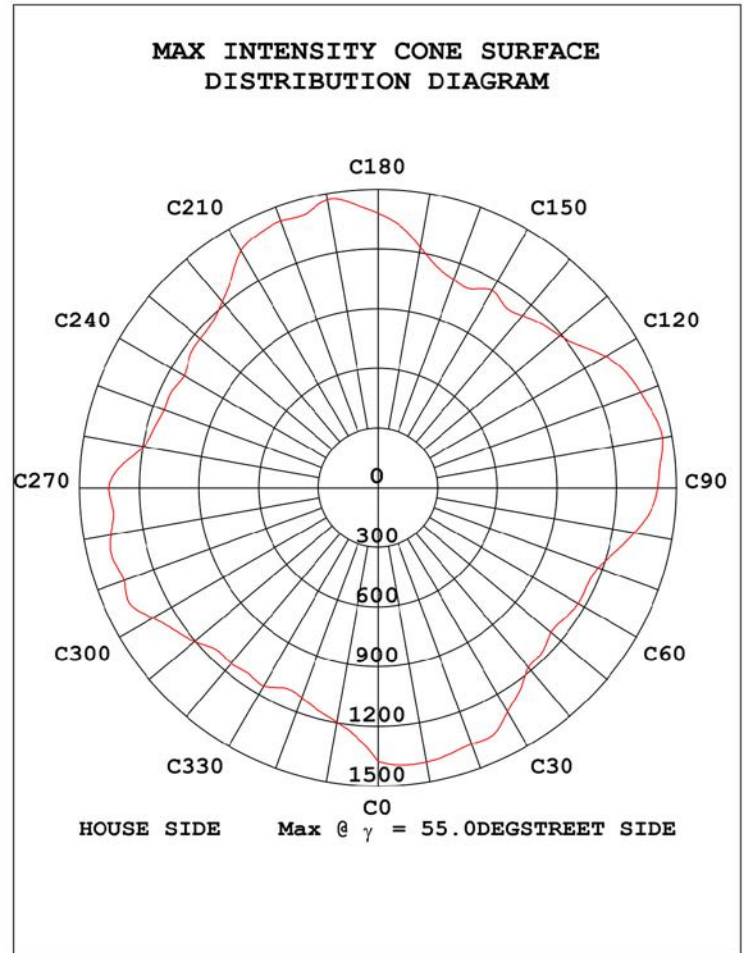
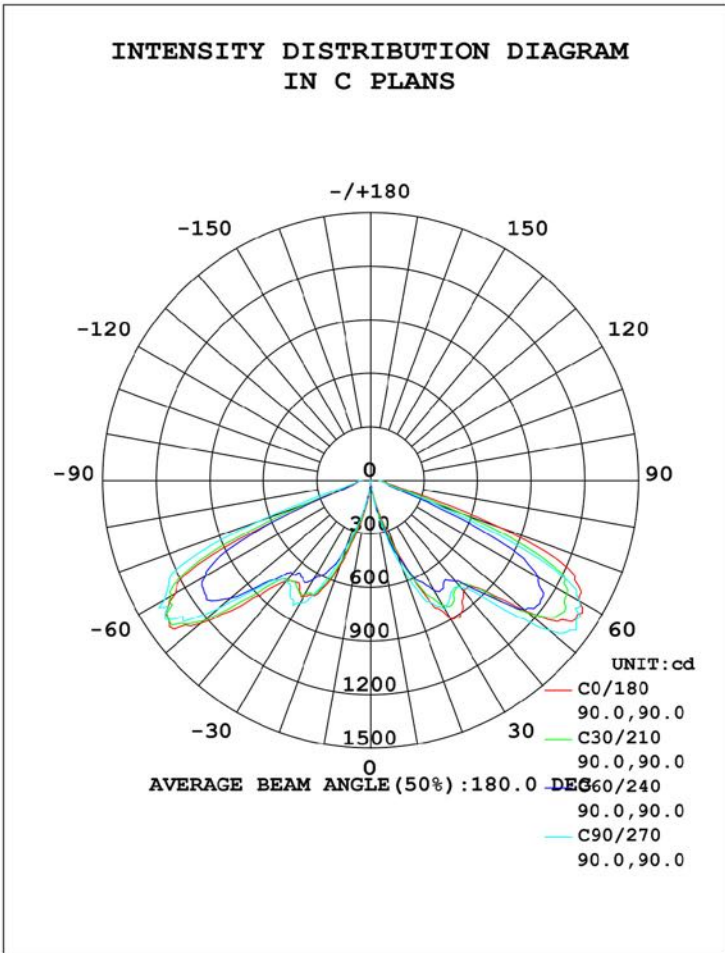
ASYMMETRIC



Test:U:219.86V I:0.1426A P:29.567W PF:0.9431 Freq:0Hz Lamp Flux:3802.28x1 lm

NAME: TL601	TYPE:	WEIGHT:
SPEC.:	DIM.:	SERIAL No.:
MFR.: T-Luce	SUR.:0.3	Shielding Angle:

DATA OF LAMP		PHOTOMETRIC DATA Eff: 128.60 lm/W			
MODEL		Imax (cd)	1471	η street_up (%)	0.0
NOMINAL POWER (W)	30	LOR (%)	100.0	η street_down (%)	49.7
RATED VOLTAGE (V)	220	TOTAL FLUX (lm)	3802	η house_up (%)	0.0
NOMINAL FLUX (lm)	3802.28	MAXIMUM @ (C, γ)	190,55.0	η house_down (%)	50.3
LAMPS INSIDE	1	η up (%)	0.0	76 FLASHAREA (m2)	0.02500
TEST VOLTAGE (V)	220	η down (%)	100.0	SLI	18.917



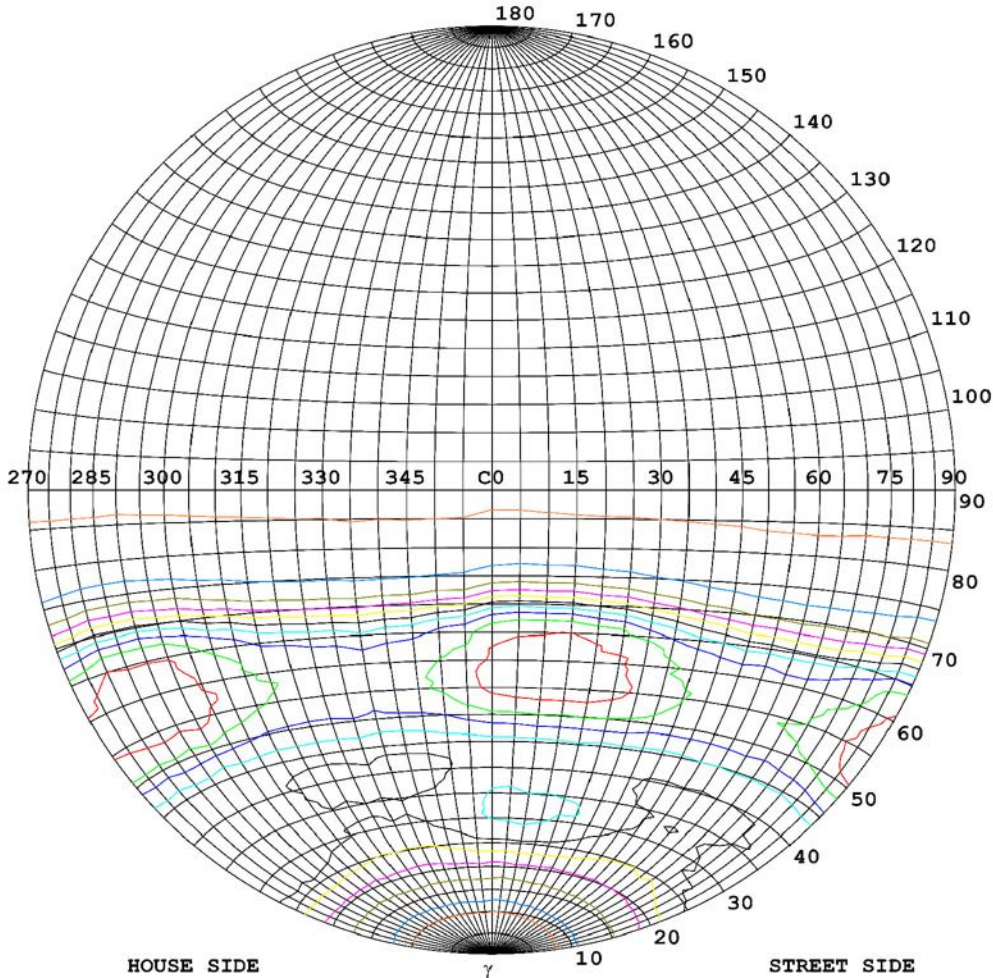
C Range: 0 - 360DEG
 C Interval: 5.0DEG
 Test Speed: HIGH
 Temperature: 25.3DEG
 Operators:
 Test Date: 2021-01-28

Range: 0 - 90DEG
 Interval: 1.0DEG
 Test System: EVERFINE GO-2000B_V1 SYSTEM V2.0.366
 Humidity: 65.0%
 Test Distance: 7.990m [K=1.0000]
 Remarks:



STREETLIGHT ISOCANDELA DIAGRAM

Test:U:219.86V I:0.1426A P:29.567W PF:0.9431 Freq:0Hz Lamp Flux:3802.28x1 lm		
NAME: TL601	TYPE:	WEIGHT:
SPEC.:	DIM.:	SERIAL No.:
MFR.: T-Luce	SUR.:0.3	Shielding Angle:



Classification:

IES:Type V - Short
 CIE:Broad - Short
 IES:Cut-off
 CIE:Semi-cut-off
 Max.At80:26.60cd/klm
 Max.At90:15.07cd/klm
 Max.80-90:26.60cd/klm

ISOCANDELA DIAGRAM	
UNIT	cd
I _{max} =100%	1471
— 90%	1324
— 80%	1177
— 70%	1030
— 60%	883
— 50%	736
— 40%	589
— 30%	441
— 20%	294
— 10%	147
— 5%	74

C Range: 0 - 360DEG
 C Interval: 5.0DEG
 Test Speed: HIGH
 Temperature:25.3DEG
 Operators:
 Test Date:2021-01-28

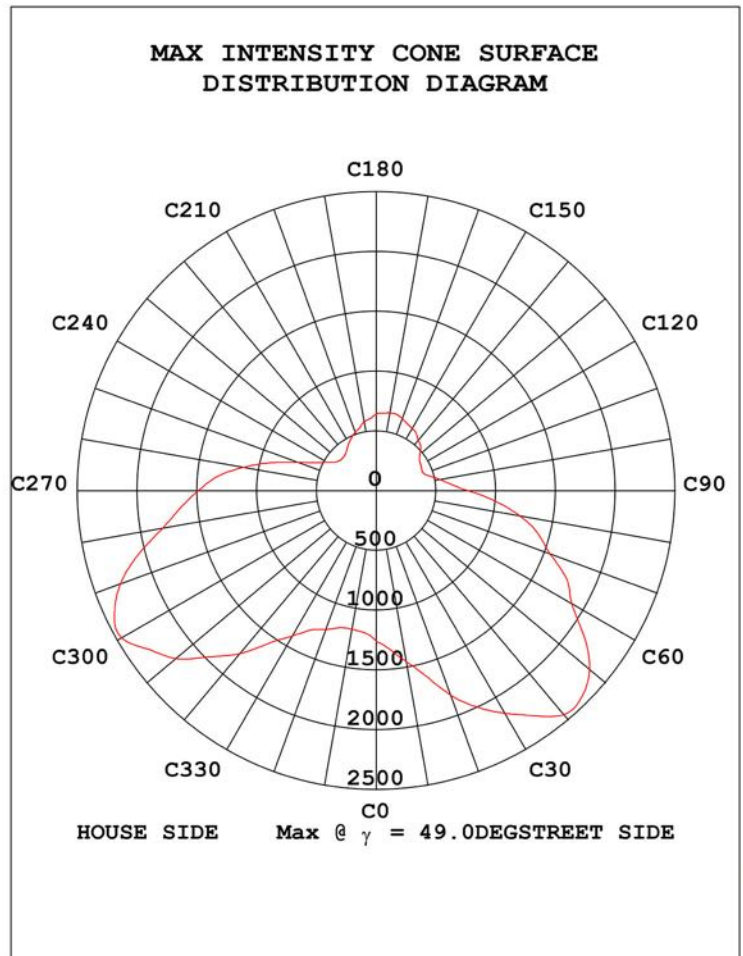
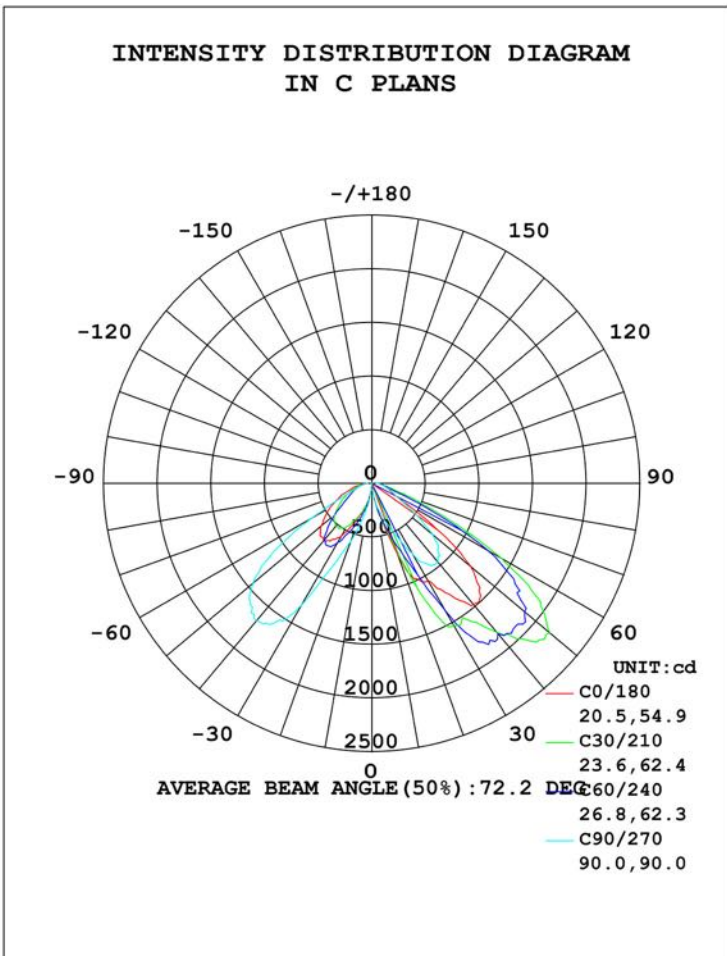
γ Range: 0 - 90DEG
 γ Interval: 1.0DEG
 Test System:EVERFINE GO-2000B_V1 SYSTEM V2.0.366
 Humidity:65.0%
 Test Distance:7.990m [K=1.0000]
 Remarks:



Test:U:219.95V I:0.1466A P:30.536W PF:0.9470 Freq:49.99Hz Lamp Flux:3548.61x1 lm

NAME:	TYPE:	WEIGHT:
SPEC.:	DIM.:	SERIAL No.:
MFR.: T-Luce	SUR.:0.3	Shielding Angle:

DATA OF LAMP		PHOTOMETRIC DATA Eff: 116.21 lm/W			
MODEL	qiudeng	I _{max} (cd)	2463	η street_up(%)	0.0
NOMINAL POWER(W)	30	LOR(%)	100.0	η street_down(%)	50.0
RATED VOLTAGE(V)	220	TOTAL FLUX(lm)	3549	η house_up(%)	0.0
NOMINAL FLUX(lm)	3548.61	MAXIMUM @ (C,γ)	300,49.0	η house_down(%)	50.0
LAMPS INSIDE	1	η up(%)	0.0	76 FLASHAREA(m2)	0.02500
TEST VOLTAGE(V)	220	η down(%)	100.0	SLI	19.023



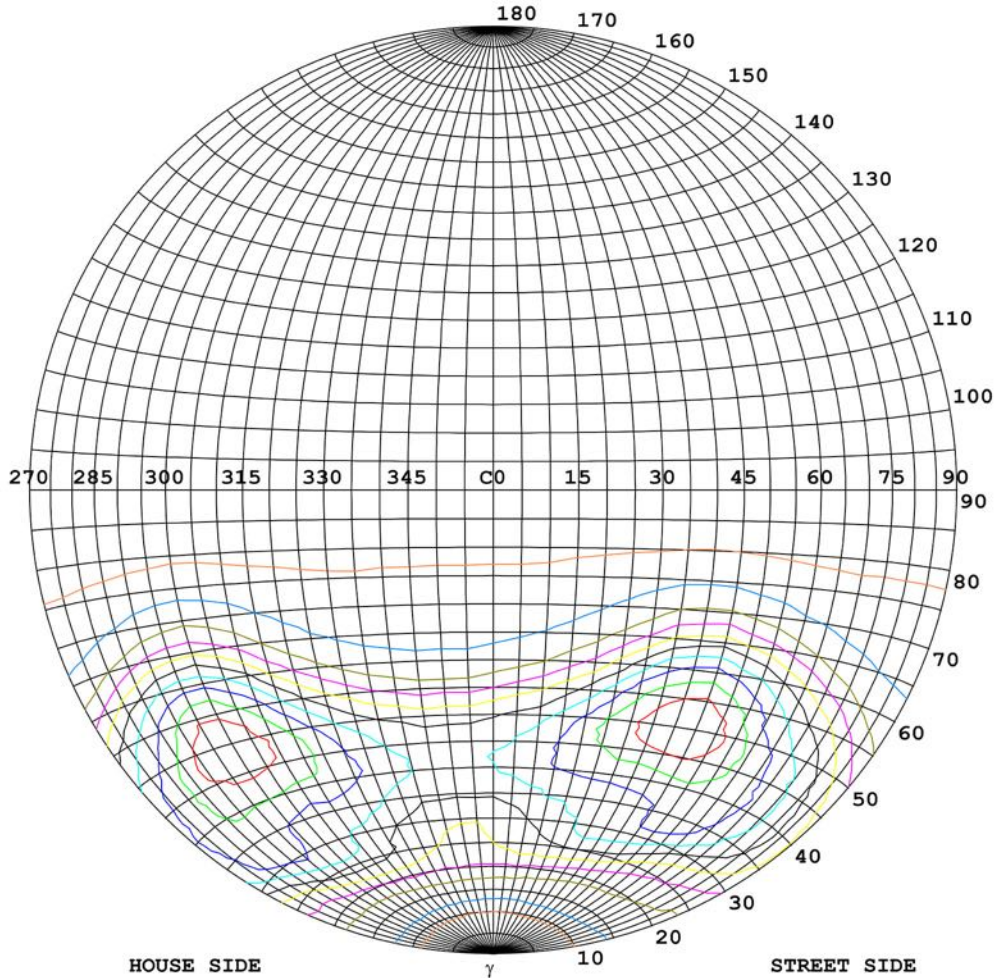
C Range: 0 - 360DEG
 C Interval: 5.0DEG
 Test Speed: HIGH
 Temperature:25.3DEG
 Operators:
 Test Date:2021-01-24

Range: 0 - 90DEG
 Interval: 1.0DEG
 Test System:EVERFINE GO-2000B_V1 SYSTEM V2.0.366
 Humidity:65.0%
 Test Distance:7.990m [K=1.0000]
 Remarks:



STREETLIGHT ISOCANDELA DIAGRAM

Test:U:219.95V I:0.1466A P:30.536W PF:0.9470 Freq:49.99Hz Lamp Flux:3548.6lx1 lm		
NAME: qiudeng	TYPE:	WEIGHT:
SPEC.:	DIM.:	SERIAL No.:
MFR.: T-Luce	SUR.:0.3	Shielding Angle:



Classification:

IES:Type V - Very Short
 CIE:Average - Short
 IES:Cut-off
 CIE:Semi-cut-off
 Max.At80:40.09cd/klm
 Max.At90:14.58cd/klm
 Max.80-90:40.09cd/klm

ISOCANDELA DIAGRAM	
UNIT	cd
Imax=100%	2463
— 90%	2216
— 80%	1970
— 70%	1724
— 60%	1478
— 50%	1231
— 40%	985
— 30%	739
— 20%	493
— 10%	246
— 5%	123

C Range: 0 - 360DEG
 C Interval: 5.0DEG
 Test Speed: HIGH
 Temperature:25.3DEG
 Operators:
 Test Date:2021-01-24

γ Range: 0 - 90DEG
 γ Interval: 1.0DEG
 Test System:EVERFINE GO-2000B_V1 SYSTEM V2.0.366
 Humidity:65.0%
 Test Distance:7.990m [K=1.0000]
 Remarks:

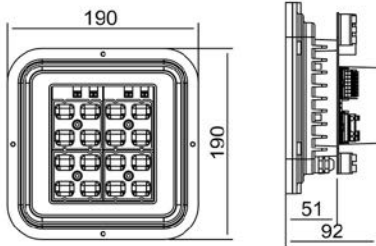


LED Engine-retrofit

TWO SIZE

TL-LED01S

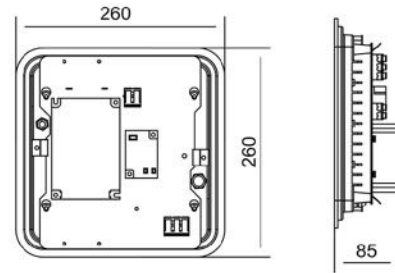
S



TL-001

TL-LED01M

M



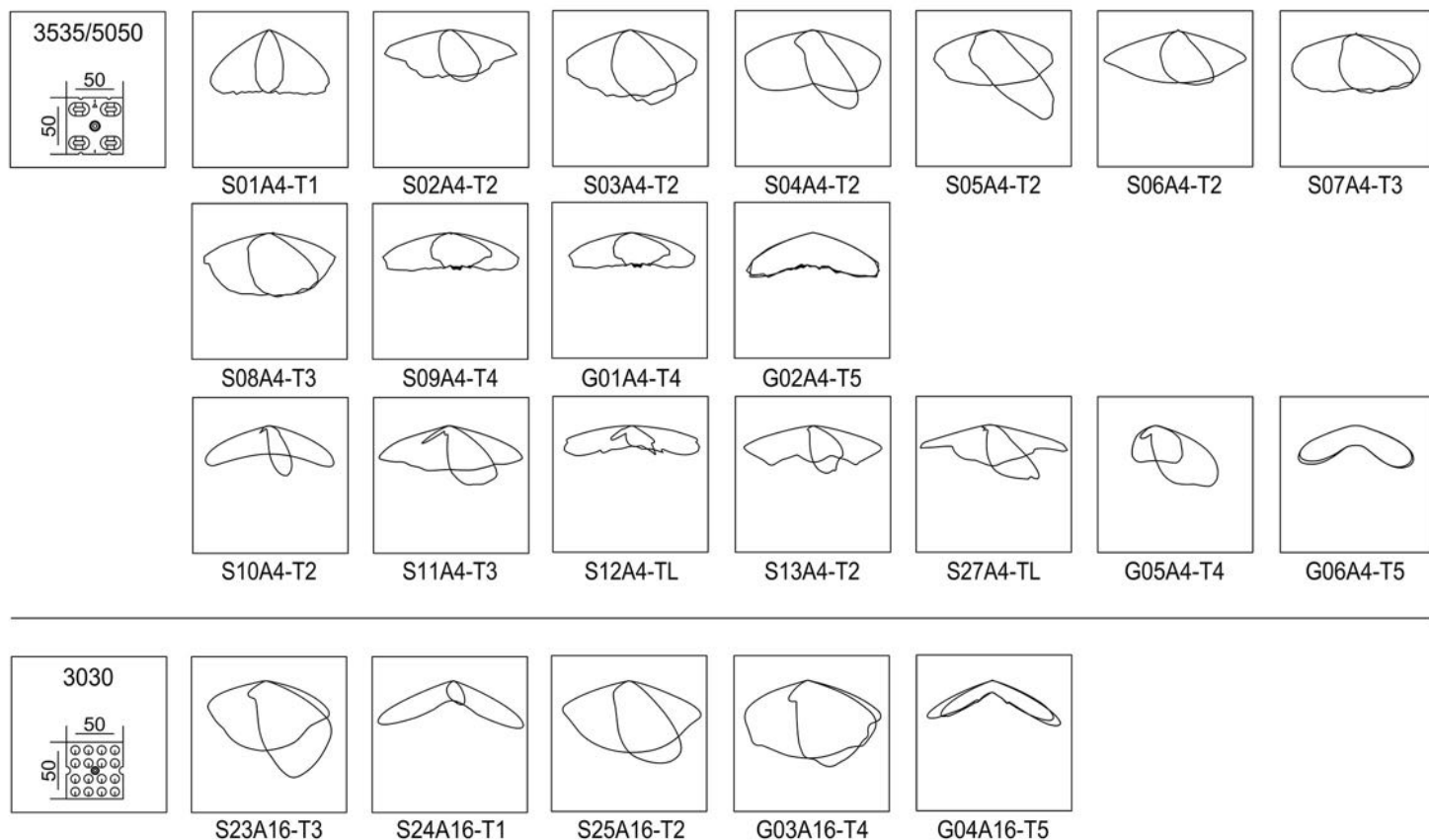
TL-002



Technical information

Parameter	Technical data	Parameter	Technical data
Life time	Up to 100,000hrs LM70, Ta 25°C	Driver isolation	Class I or Class II
Wattage	10~100W	Control dimming	DALI / 1-10V / Timing / PWM
Light efficacy	Up to 137lm/W	Operating temperature	-35°C~50°C / 10% ~ 95% (humidity)
CRI	≥ 70 or ≥ 80	Body parts material	Die cast Aluminum
Color temperature	3000K, 4000K, Amber color	Option	PC (standard) / PMMA (option)
Operation voltage	AC 90-305V or AC 220-240V	Screen	Flat tempered glass 5mm thickness
Frequency	50 / 60Hz	Gasket	Silicone
Power factor	≥0.95 cos	Color stability	3 or 5 MacAdam steps

Optics available



Order code	Chip	LED QTY	Lens Type	Power	Luminaire efficacy Up to(lm/W)	Lifespan L70/B10
901101	5050	8	4	10W	137	> 54,000hrs
901102	5050	16	4	30W	131	> 54,000hrs
901103	3535	8	4	10W	131	> 108,000hrs
901104	3535	16	4	30W	124	> 108,000hrs
901105	3030	32	16	20W	122	> 54,000hrs
901106	3030	64	16	40W	122	> 54,000hrs
Order code	Chip	LED QTY	Lens Type	Power	Luminaire efficacy Up to(lm/W)	Lifespan L70/B10
901201	5050	12	4	20W	134	> 54,000hrs
901202	5050	24	4	40W	134	> 54,000hrs
901203	5050	36	4	80W	134	> 54,000hrs
901204	3535	12	4	20W	126	> 108,000hrs
901205	3535	24	4	40W	126	> 108,000hrs
901206	3535	36	4	80W	126	> 108,000hrs
901207	3030	48	16	40W	115	> 54,000hrs
901208	3030	96	16	60W	122	> 54,000hrs
901209	3030	144	16	100W	117	> 54,000hrs

* 5050: LUMILEDS 5050; 3535: CREE XPG3; 3030: LUMILEDS 3030