





## ATOLLO TL-LED32 SERIES

With simple and super-thin design, ATOLLO looks very modern. With delicate structure of radiator, ATOLLO is more powerful in heat sinking and can reach IP66. Multiple choose for installation, makes it more easy for different poles. Tool-free design makes it more convenient for install and maintenance. Moreover, ATOLLO has wide wattage range from 90W to 120W, which makes it more applicable for different places.

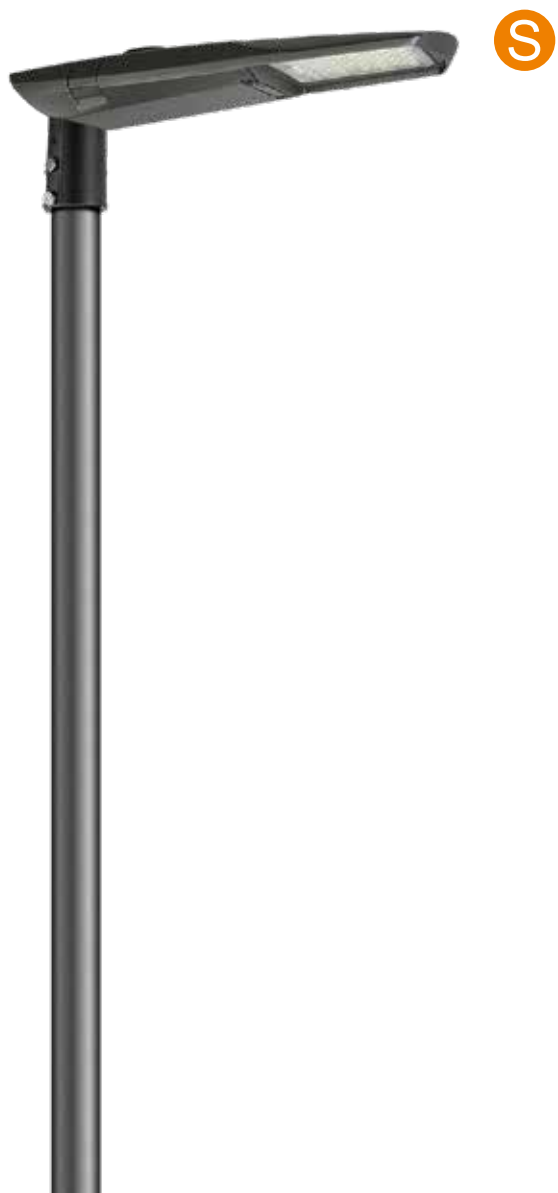
### Key Advantage:

- ◇ 5 sizes for different wattage
- ◇ Super luminaire efficiency up to 150 lm/w
- ◇ 10 optics solutions, up to ME1
- ◇ Good Thermal control system to ensure long time
- ◇ Tool-free designing for easy installation and maintenance
- ◇ IP66 & IK09

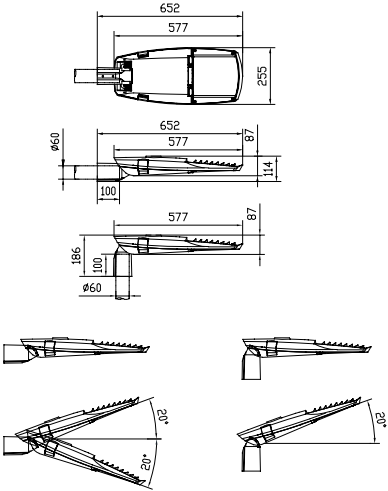
### Application:

- ◇ Residential areas
- ◇ Road and street lighting
- ◇ High way, Airport, Parking place
- ◇ Pathway & Pedestrians
- ◇ Smart city option



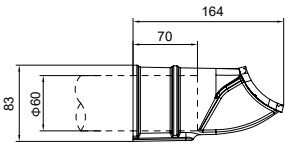


# Product Dimension



TL-LED32-S

POST TOP/SIDE ENTRE



φ 60mm





**MARKET-LEADING EFFICIENCY**

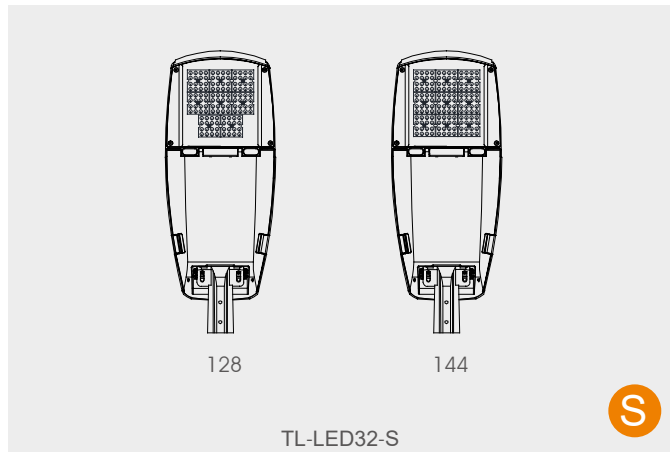
**LONG-LIFETIME AND DURABLE CONSTRUCTION**

**FULL CUTOFF LIGHT DISTRIBUTION (DARK SKY COMPLIANT)**

**EASY DEPLOYMENT AND TOOL-FREE MAINTENANCE ACCESS**



ATOLLO SERIES



	LEDS	POWER (W)	LUXEON 3030 (lm)	L90B10 at 25°C IESNA TM-21-11	L70 at 25°C IESNA TM-21-11
<b>S</b>	128	90	11700	> 40000hrs	> 100000hrs
	144	100	13000	> 40000hrs	> 100000hrs
	144	120	15600	> 40000hrs	> 100000hrs



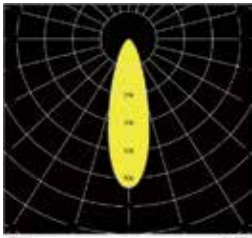
LUXEON 3030

High efficacy and lumens in a multi-die, high power package, enabling low system costs

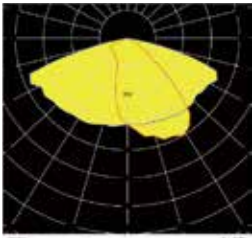


Street series 1X16

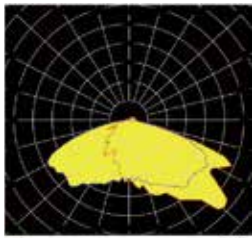
30° 60° 90°



TYPE 1 TYPE 2 TYPE 3



TYPE 4 TYPE 5



Potential application areas:  
car parks, airport

## Product features

PARAMETER	TECHNICAL DATA
Type	ATOLLO SERIES
Light source	SMD LED Module
Color temperature	4000K as standard. Optional 2700K, 3000K & 5000K & 5700K. Amber LED available
Color stability	3 or 5 MacAdam steps for all standard LED colors
Color Rendering Index	>70 or >80 (neutral white and cool white)
Luminous Flux (led flux @ Ta=25C outdoor)	from 11700 to 15600 lm
Power	from 90W up to 120W
Luminaire efficiency	130 lm/W
Constant lumen output (CLO)	as requirement
Optics Material	PC
Optical Cover	Tempered Glass (5mm)
ULOR (%)	0% for flat glass versions
Spigot diameter	42 mm, 60 mm, 76 mm
Control inputs	DALI, 0-10V, Astro Dim, Step Dim
Electrical class	class I and class II (According to IEC-EN 60598)
Color	RAL7024 as standard (RAL or AKZO Future colors available)
IP rating	IP66
IK rating	IK09 (according to IEC - EN 62262)
Windage M <sup>2</sup>	XS 0.023 / S 0.048 / M 0.058 / L 0.088
Operating temperature range	-40°C < Ta ≤ 50°C
LED module thermal protection	yes
Driver thermal protection	yes
Surge protection	4kV (10kV available as an option)
Options	mini Photocell and NEMA socket, including cable
Certifications	CE CB ENEC(in certification)
Material	ADC12 / Lower copper contents

Product details



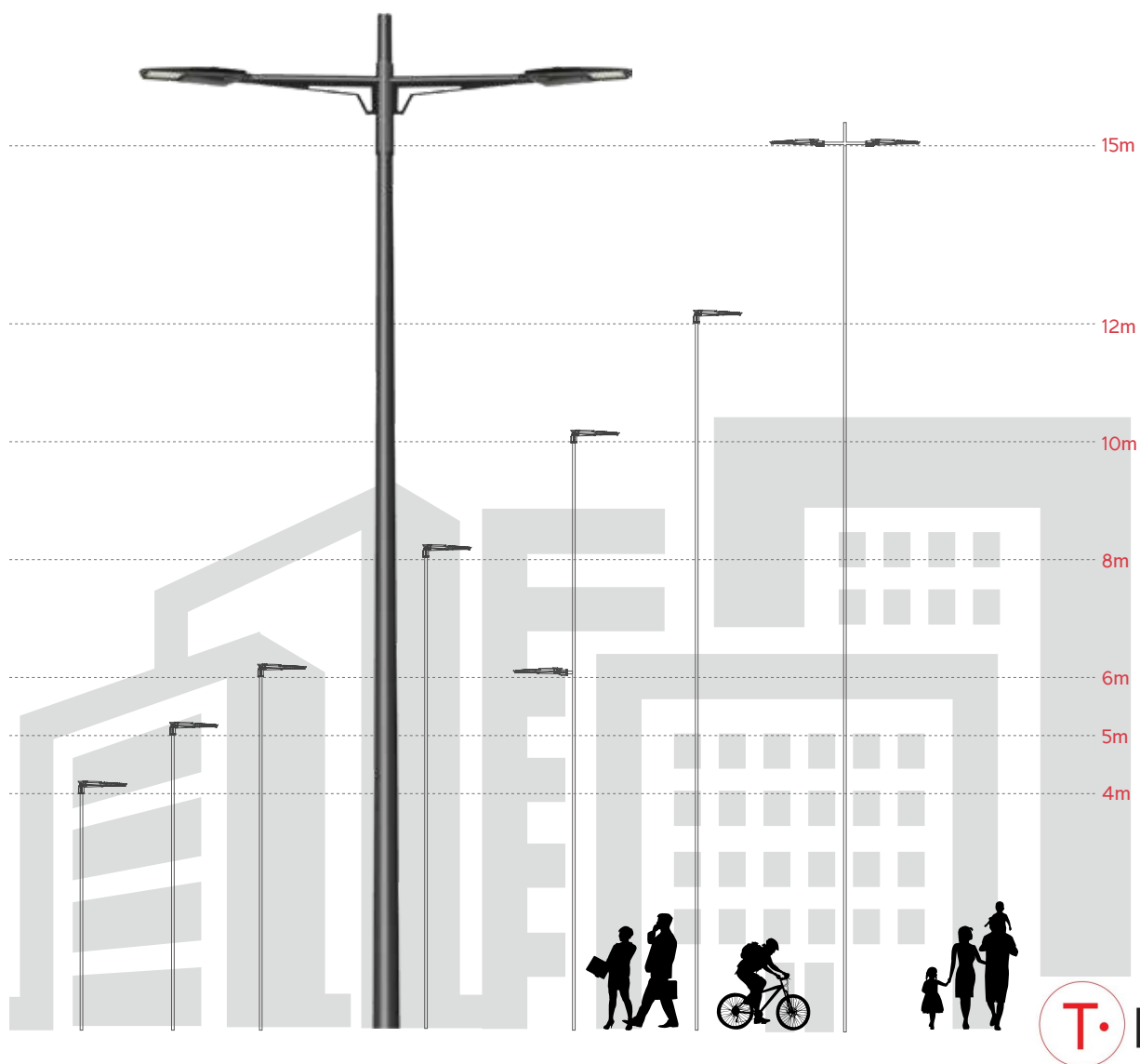
Product details



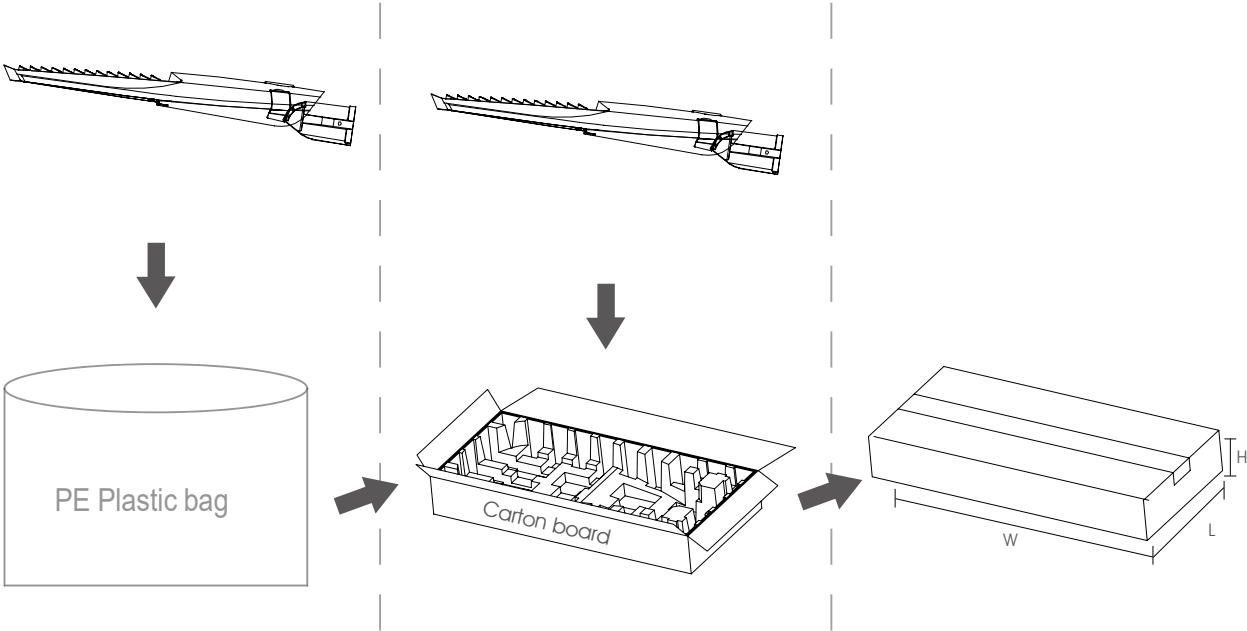
VERSION

RECOMMENDED MOUNTING  
HEIGHT (METERS)

ATOLLO-S	4-8M
ATOLLO-M	6-12M
ATOLLO-L	12-15M



# Packing Information



Model	Carton Size (mm) L*W*H	QTY / Carton	N.W.(kg)	G.W.(kg)	QTY for Container 20FT	QTY for Container 40HQ
TL-LED32-S	595*315*130	1	3.50	4.50	1150	2800
TL-LED32-M	605*315*140	1	4.55	5.65	950	2400
TL-LED32-L	735*390*130	1	7.60	9.00	700	1700





### Surge Protection device

Surge Protection device offers protection against lightning surges;

Voltage Protection level up (L-N)  $\leq 1,5$  kV

Voltage Protection level up (L/N-PE)  $\leq 2,0$  kV

$U_{oc} = 10$  kV

$I_{max} = 10$  kA

$I_{nom} = 5$  kA



### Surge Protection device

Maximum Discharge Current ( $I_{max}$ ) 10kA, 8/20 $\mu$ s

- Meets ANSI C136.2 Enhanced Level 10kV/5kA, IEEE C62.41.2 Location Category C Low Exposure and US Dept. of Energy MSSLC Model Spec.

- Thermally Protected Varistor technology
- Parallel and Series Connected SPD Options
- IP66 Water-proof and Dust-proof



### Shorting Cap

Standard: ANSI C136.10-1996



### Photocell

Standard: ANSIC136.10-2010



### Nema Socket

Standard: ANSI C136.10



### Zhaga Connector

- Contacts rating: 1.5A, 30V (24V typical)
- Meets 10kV dielectric withstand voltage to mounting surface
- 4 pole contacts
  - Pin 1: 24Vdc
  - Pin 2: DALI (or DALI based protocol) -/common ground
  - Pin 3: DALI (or DALI based protocol) +
  - Pin 4: General I/O



### Console adapter

Spigot size 60 - 76 mm



### Wall mounting bracket

Spigot size 40 - 60 mm



### Wall mounting bracket

Vertical



### Microwave Motion Sensor

Detailed Product Description

Operating Voltage: 120-277Vac, 50/60Hz

HF System: 5.8GHz  $\pm$  75MHz, ISM Wave Band

IP Rating: IP65

Rated Load: 120Vac 4A Electronic/magnetic Ballast  
277Vac 3A Electronic/magnetic Ballast

Operation Temperature: -25°C ~ 55°C

Function: 2 Step / 3 Step Dimming/ On Off Function

Mounting Height: 6-15m

Cover Color: Blank Or White

Hold Time: 5s/30s/1min/3min/5min/10min/20min/30min



### Connector

10m cable with IP66 rated connector offers easy installation of the street luminaires.

3 wire cable connector



### Pre-installed cable sets

Pre-installed cables sets in the luminaire

Diameter of the cable:

3 x 1,5 mm - 0,5 m lenght

3 x 1,5 mm - 5 m lenght

3 x 1,5 mm - 6 m lenght

3 x 1,5 mm - 8 m lenght

3 x 1,5 mm - 10 m lenght

3 x 1,5 mm - 12 m lenght

3 x 1,5 mm - 18 m lenght



### Pre-installed cable sets

Pre-installed cables sets in the luminaire

Diameter of the cable:

5 x 1,5 mm - 0,5 m lenght

5 x 1,5 mm - 5 m lenght

5 x 1,5 mm - 6 m lenght

5 x 1,5 mm - 8 m lenght

5 x 1,5 mm - 10 m lenght

5 x 1,5 mm - 12 m lenght

5 x 1,5 mm - 18 m lenght

**Imported and Distributed by:**



[info@t-luce.com](mailto:info@t-luce.com)

[www.t-luce.com](http://www.t-luce.com)

T-Luce Italia srl

Viale Giacomo Matteotti 15 - Firenze 50121