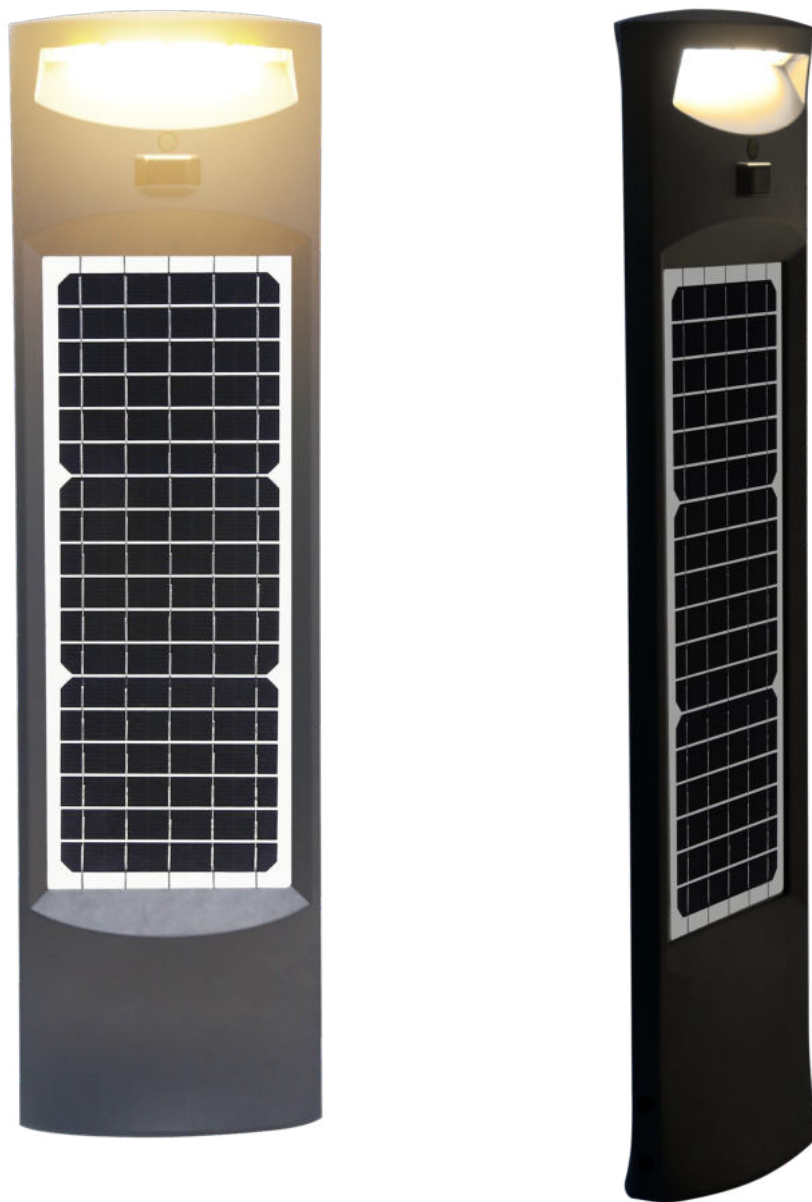


SOLAR LED BOLLARD LIGHT

BEACON



Features & Advantages

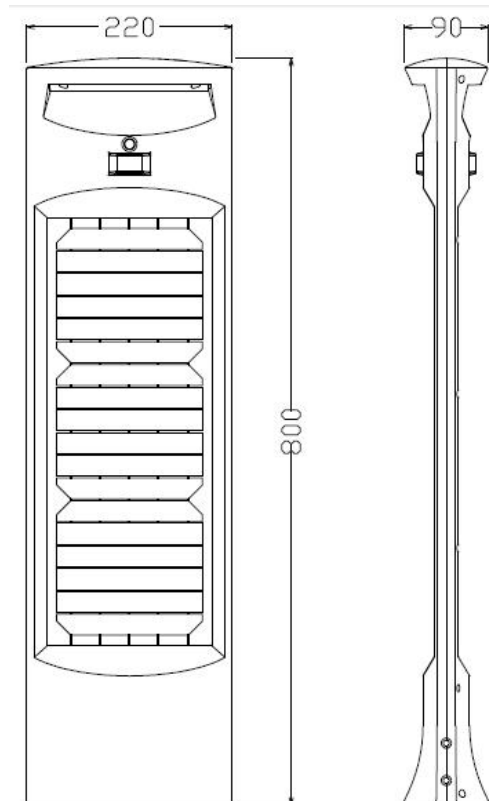
- Global patent design, streamlined and slim shape, modern style.
- Double-sided illumination or single-sided illumination select-able, multifunctional.
- Double-glazed solar panel with big size, mono crystalline silicon material with 18.5% conversion efficiency, 20years lifespan.
- Super bright 2000LM with wider lighting area.
- Two working modes for different applications.
- Different working modes can be selected individually on each side, exclusive design, very flexible.
- Easy to install on the soft lawn or concrete ground.
- IP65 waterproof.
- Adopt optical Lens to optimize light efficiency, not only make the light much brighter, also anti-glare.
- High performance LiFePO4 battery 26650/6000mA/6.4V, bigger capacity guarantee longer working time.
- Battery replaceable.
- New type of PIR sensor with wider detective angle 160° and farther detective area 8mtrs.
- Widely used for courtyard, garden, rural road, pathway, lawn, square, public places etc.

Product Image



Product Model	TL-BCN-LED20	Overall Dimension	800*220*90mm
Power	20W	Lumen	2000LM, Osram 3030 brand, 40pcs(20pcs*2 sides)
Solar Panel	Mono-crystalline silicone (11Wp+9Wp)	LiFePO4 Battery	26650/6000mA/6.4V
Charging Time	8Hrs to fully charged	Working Time	Sensor Mode: 4 nights+ Constant Light Mode: 2 nights+
LED Type	SMD3030*40PCS	PIR sensor Range	Detection angle: 160° Detection area: 10Mtrs
Surface Color	Grey/ Black	Beam angle	120°
IP Class	IP65	Working Temp	-20C° - 60C°
Housing Material	Aluminum ADC12	Warranty	3 years
Controller	MPPT controller, 6.4V/10AH, anti overcharge and over discharge.		

Product Dimension (mm)



Working Modes:

* There's one button on each side of the lamp, please press the button to select the working mode for each side individually.

* The lamp can get solar charged in any mode.

Press the button 1st time, it's Sensor Mode.

Press the button 2nd time, it's Constant Lighting Mode.

Press the button 3rd time, it's off.

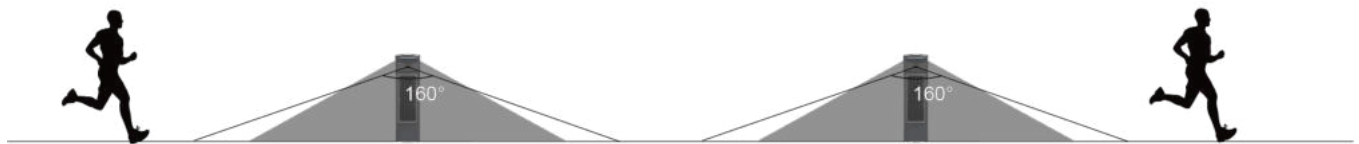
Sensor Mode

Automatically turns on to full brightness (2000lm) when motion is detected in the range ≤ 8 mtrs and then turns to weak brightness (300lm) in 20 seconds of no motion.



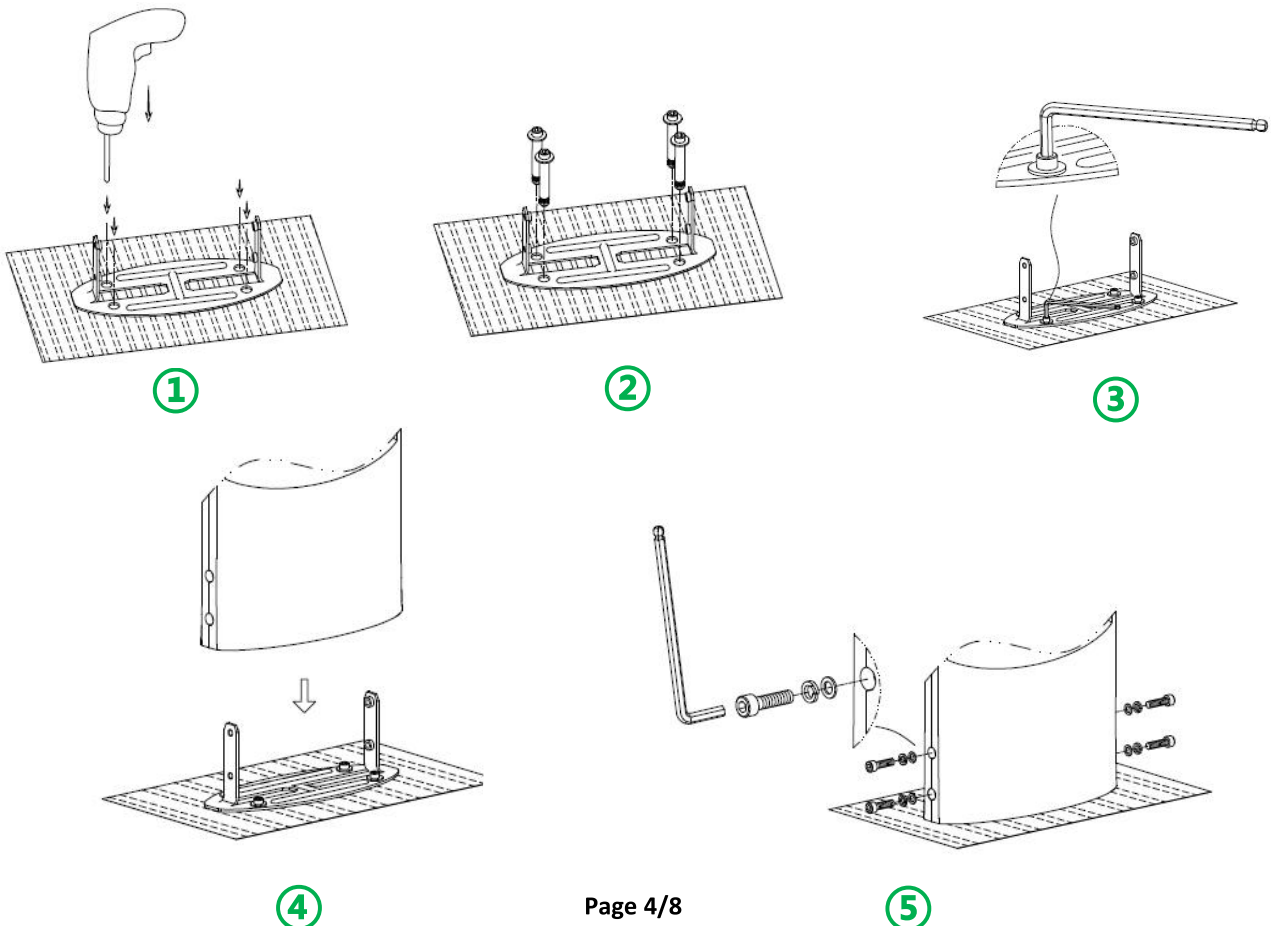
Constant Lighting Mode

Automatically turns on at dusk and keep 50% brightness(1000lm) till it's dawn or power's off.



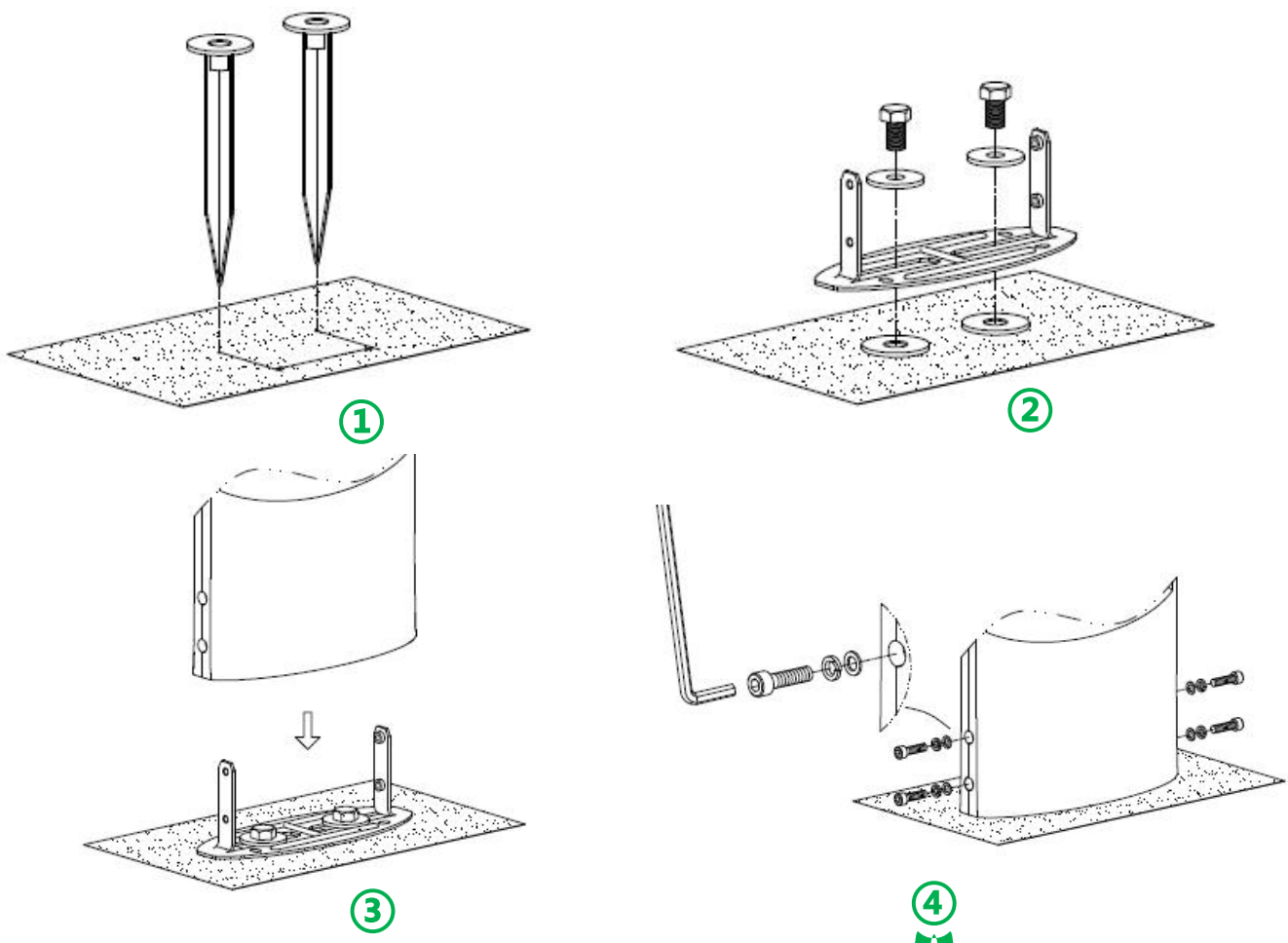
Installations

Installation A: Concrete Ground



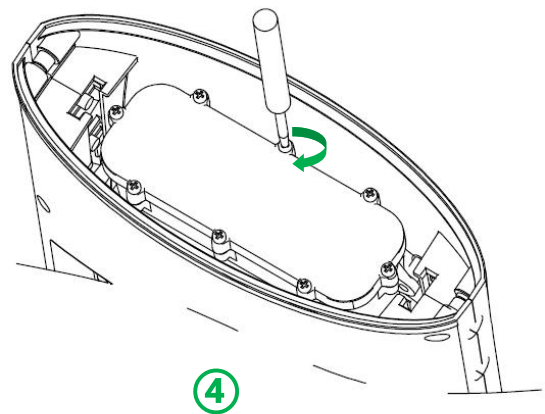
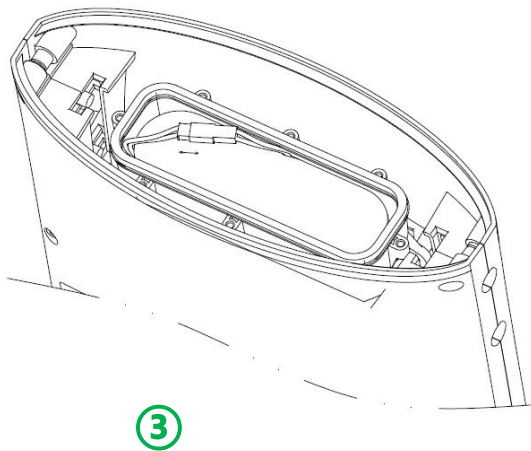
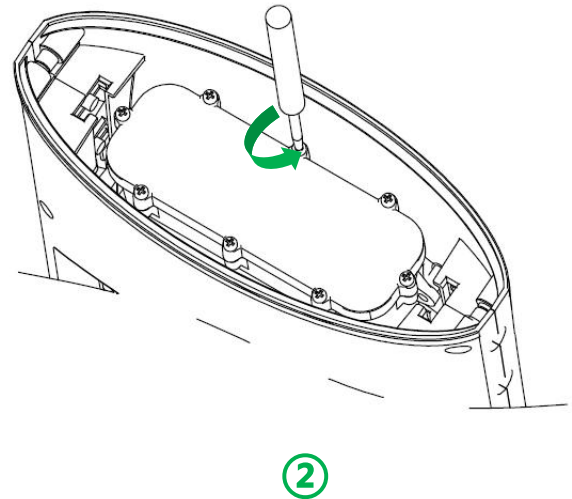
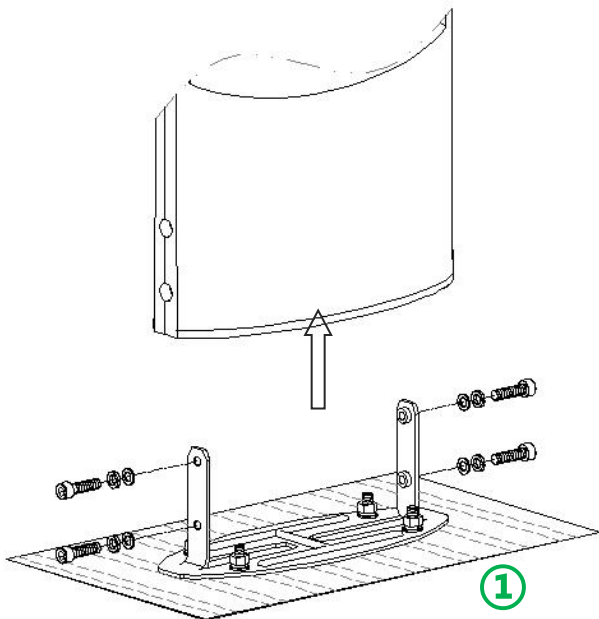
1. Prepare lamp, accessories and tools well firstly.
2. Drill four holes of $\phi 10\text{mm}$ with a depth of 70mm on the flat concrete ground. (picture ④)
3. Insert the expansion screws into the holes and lock the expansion screws with Allen Wrench. (picture ②-③)
4. Put the lamp onto the metal bracket and align the four holes, then lock the lamp and metal bracket with screws, spring washers and gaskets. (picture ④-⑤)

Installation B: Soft Lawn



1. Prepare lamp, accessories and tools well firstly.
2. Insert two spikes into the lawn with a space 60mm-120mm between. (Picture ①)
3. Use screws and gaskets to fix the metal bracket onto the surface of spikes. (Picture ②)
4. Put the lamp onto the metal bracket and align the four holes, then lock the lamp and metal bracket with screws, spring washers and gaskets. (Picture ③-④)

How to replace the battery?



1. Loosen the four screws on the side of the lamp and lift up the lamp. (see picture ①).
2. Unscrew the battery cover screw, open the battery cover, and replace the corresponding battery pack. (see picture ② ③)
3. After replacing the battery, lock the battery cover and install the lamp onto the metal bracket. (see picture④)

Applications

Widely used for public places, driveway, pathway, courtyard, garden, rural roads, lawn etc.



Cautions

1. The lamp is equipped with an internal battery pack, which is replaceable. If any need, please contact seller for correct new battery pack.
2. This is a solar powered lamp, please install it in a location where can get enough sunshine.
3. Please note the lighting time depends on sunshine duration & weather.
4. Built-in intelligent IC is with over-charge, over-discharge and over-voltage protection.
5. The lamp will automatically light up at dusk and off at dawn.
6. Non-professionals please do not disassemble the lamp.
7. Please do not dispose the battery with household garbage to avoid explosion.



LIGHT AS AN EXPRESSION OF LIFE

T-LUCE Italia SRL

Viale Giacomo Matteotti 15, Firenze 50121 Italy
info@t-luce.com
+39 3281425503

Marco Bettazzi, +39 3486866561, m.bettazzi@t-luce.it