

HAVE
YOU GOT
THE
RIGHT
LIGHT?

WORKING
CATALOGUE



DOWN LIGHTS

7 - 9	ULTRA
10 - 11	STRIX
12 - 13	HALO
14 - 15	JOY
16 - 17	TRE
18 - 19	VEDO
20 - 21	LEA
22 - 23	QUO
24 - 25	PAO
26 - 27	NITE
28 - 29	DAY
30 - 31	DROP



TRACK LIGHTS

34 - 35	BAT
36 - 37	PEPE
38 - 39	MINE
40 - 41	ELLE
42 - 43	SONO
44 - 45	IERI
46 - 47	GLOBE
48 - 49	LUNA
50 - 51	SOLE

OUTDOOR LIGHTS

54 - 55	MARI
56 - 57	DANDY
58 - 59	PINO
60 - 61	OKRA
62 - 63	COOL
64 - 65	SIOUX



DOWN
LIGHTS



Body

Linear downlight fixture with springs for installation on ceiling thickness up to 25mm.

Luminaire body in cast aluminum with integrated faceted reflector screen made of thermoplastic.

Available in different configurations up to 15 light heads fixed or tiltable.

Ideal for minimalist style architecture for either residential, hotel, restaurant and retail spaces.

Related products

BAT

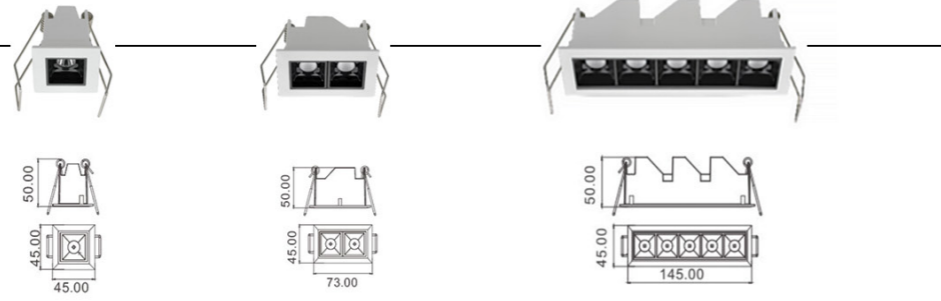


PEPE 20/30



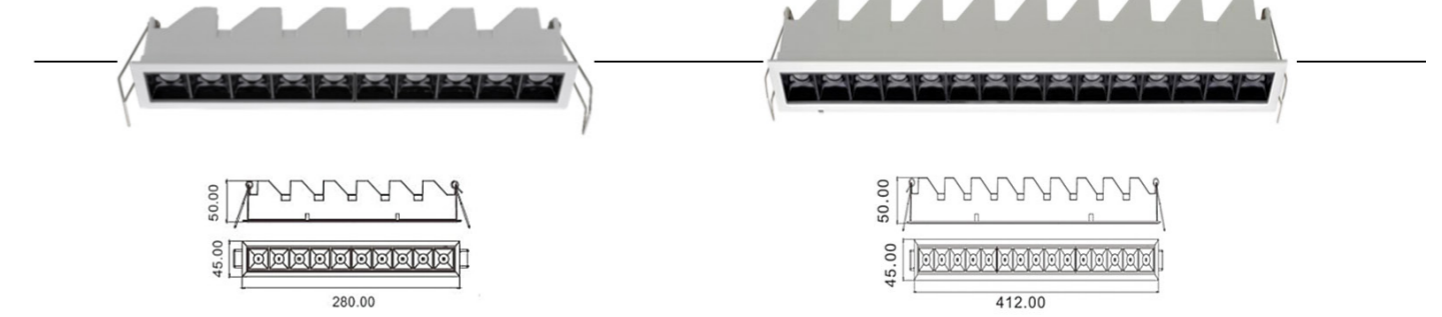
ULTRA 1/2/5/10/15

FIXED



ULTRA	CODE				LIGHT SOURCE	CCT	>CRI	LED POWER	NOMINAL LUMEN	BEAM ANGLE BA	DRIVER OPTION	FINISH
	T-	RE	UL									
ULTRA 1	T-	RE	UL	1	A O	27 30 40	95	1 x 2W	222	12' 38' 48'	DO DA	10 <input type="checkbox"/>
ULTRA 2				2				2 x 2W	433			20 <input type="checkbox"/>
ULTRA 5				5				5 x 2W	1034			

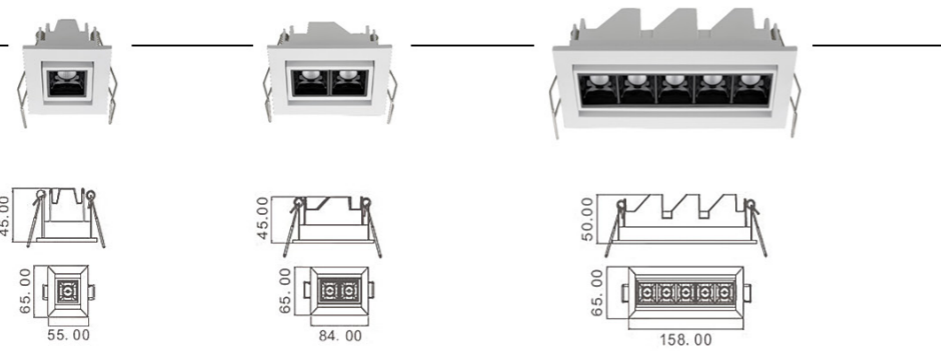
ULTRA 1/2/5/10/15



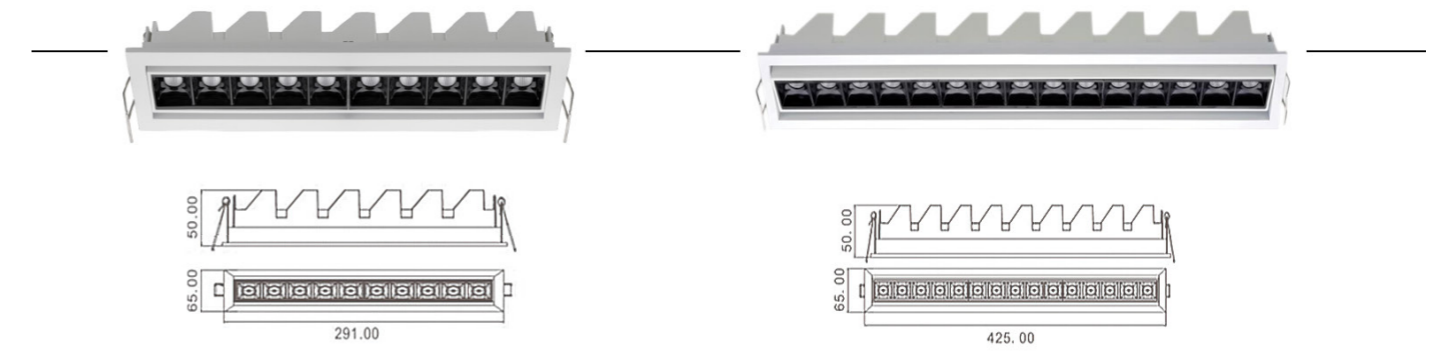
ULTRA	CODE				LIGHT SOURCE	CCT	>CRI	LED POWER	NOMINAL LUMEN	BEAM ANGLE BA'	DRIVER OPTION	FINISH
	T-	RE	UL									
ULTRA 10	T-	RE	UL	10	A O	27 30 40	95	10 x 2W	2075	12' 38' 48'	DO DA	10 <input type="checkbox"/>
ULTRA 15				15				15 x 2W	3111			20 <input type="checkbox"/>

ULTRA 1/2/5/10/15

ADJUSTABLE



ULTRA	CODE				LIGHT SOURCE	CCT	>CRI	LED POWER	NOMINAL LUMEN	BEAM ANGLE BA	DRIVER OPTION	FINISH
	T-	RE	UL-AD									
ULTRA 1	T-	RE	UL-AD	1	A O	27 30 40	95	1 x 2W	222	12' 38' 48'	DO DA	10 <input type="checkbox"/>
ULTRA 2				2				2 x 2W	433			20 <input type="checkbox"/>
ULTRA 5				5				5 x 2W	1034			



ULTRA	CODE				LIGHT SOURCE	CCT	>CRI	LED POWER	NOMINAL LUMEN	BEAM ANGLE BA'	DRIVER OPTION	FINISH
	T-	RE	UL-AD									
ULTRA 10	T-	RE	UL-AD	10	A O	27 30 40	95	10 x 2W	2075	12' 38' 48'	DO DA	10 <input type="checkbox"/>
ULTRA 15				15				15 x 2W	3111			20 <input type="checkbox"/>



Body

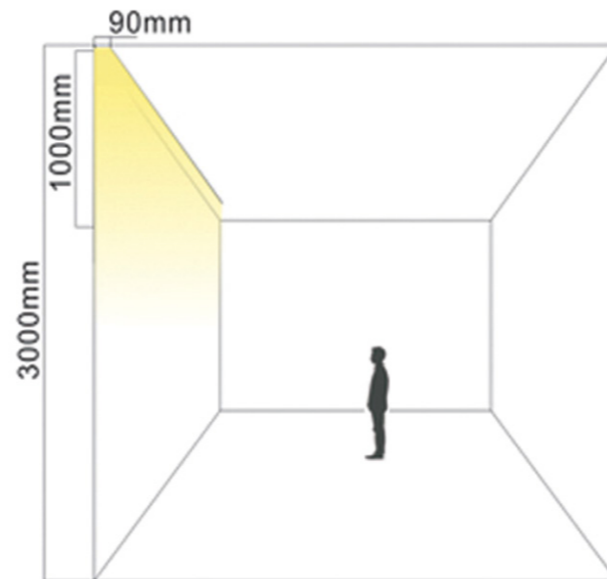
Led recessed linear light with body in die cast aluminum and milky white polycarbonate diffuser.

springs for installation on a ceiling thickness up to 30mm.

A clean linear design makes "Strix" simple, modern and suitable for lots of architectural purposes.

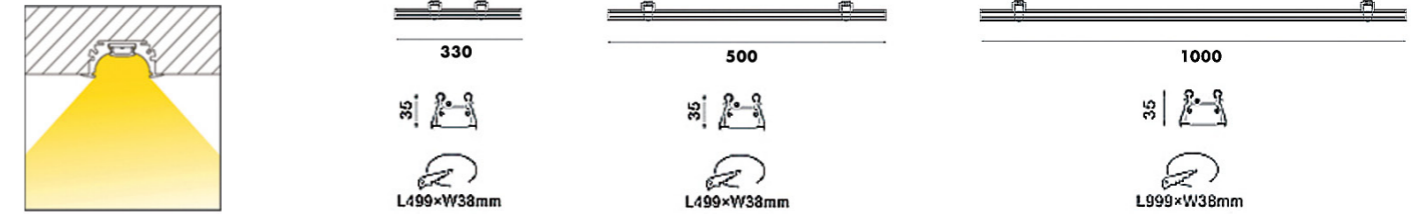
In 2 version, downlight or wallwash with a 30° angle.

"Strix" is ideal either for art galleries, private collections, offices, retails and for both residential and hospitality architectural projects.



STRIX 30 / 50 / 100

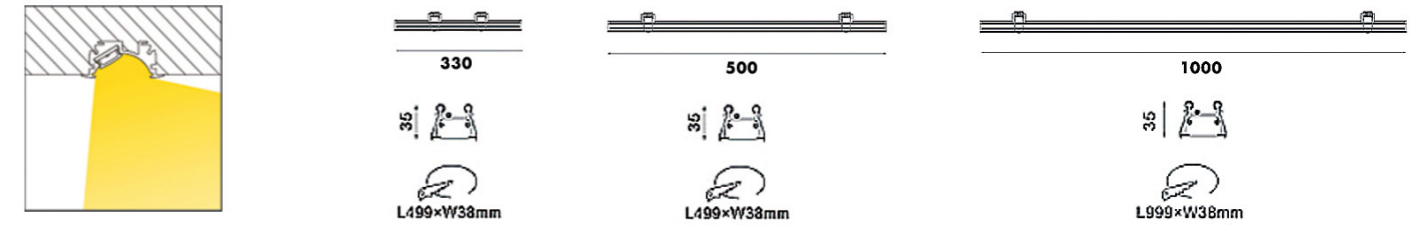
SYMMETRIC



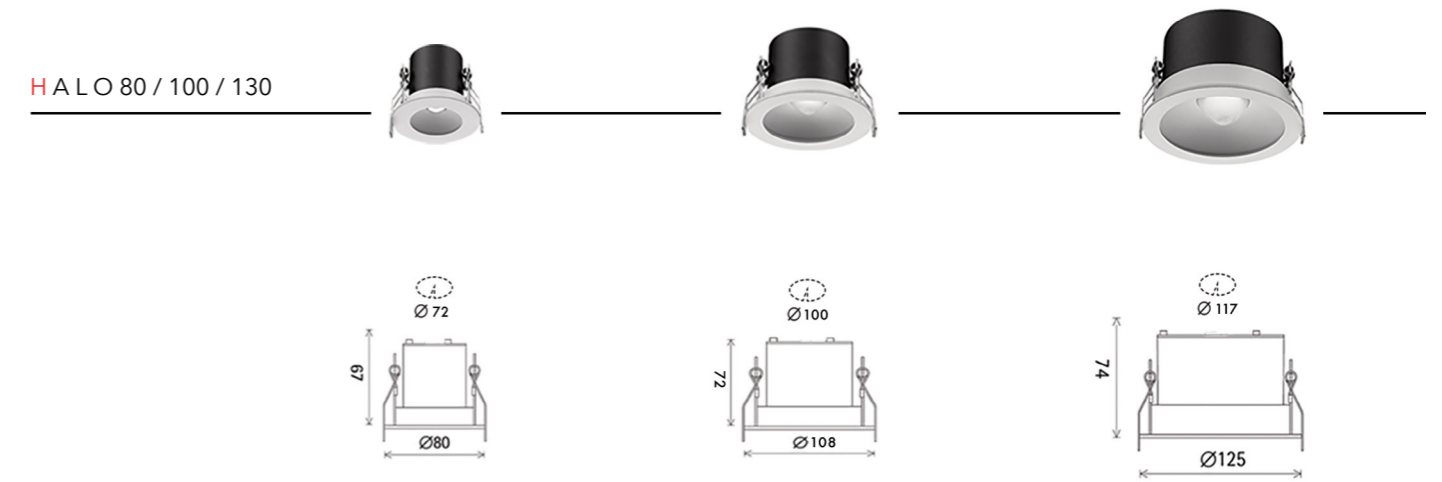
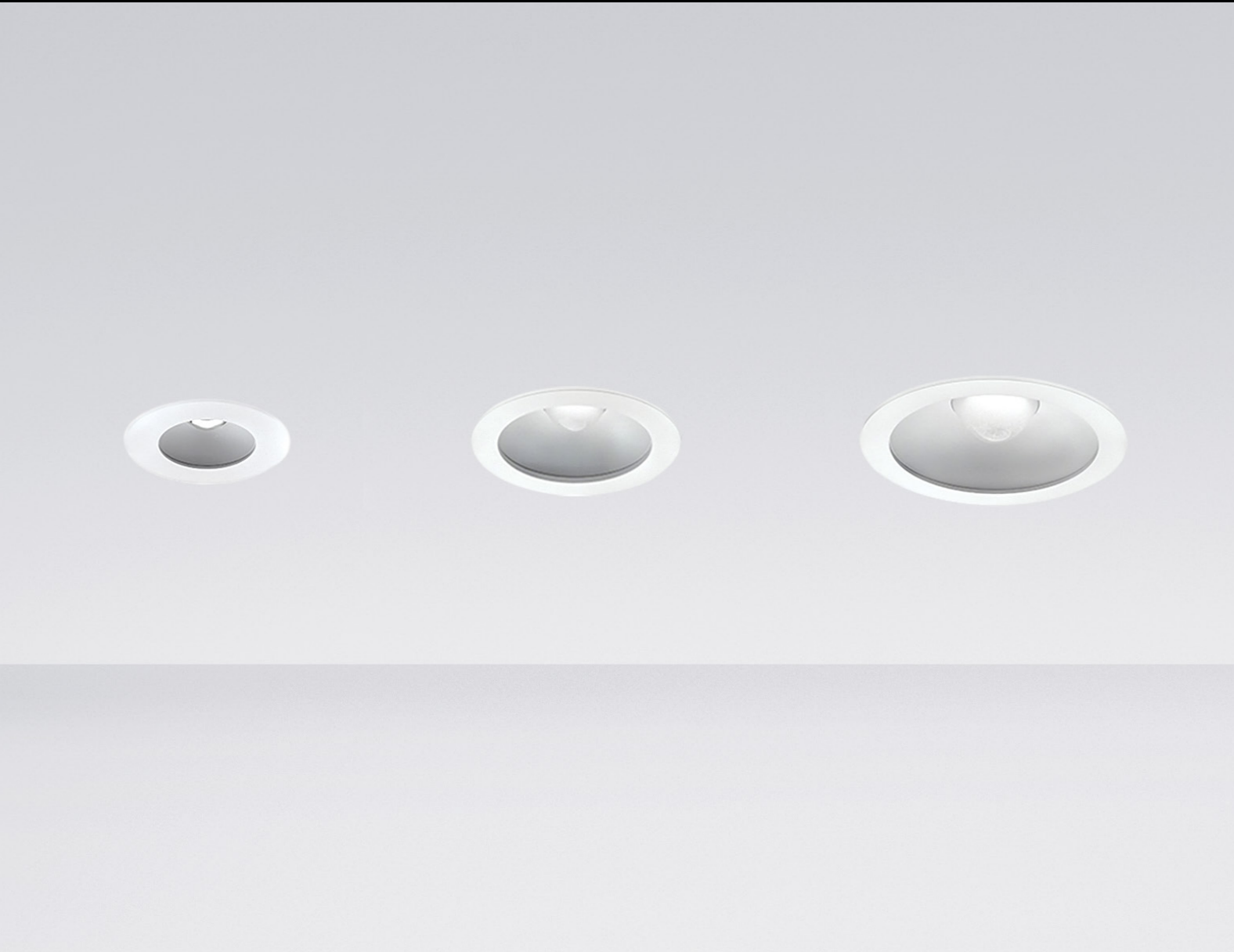
	CODE					LIGHT SOURCE	CCT	>CRI	LED POWER	NOMINAL LUMEN	BEAM ANGLE BA	DRIVER OPTION	FINISH
STRIX 30 SYM	T-	RE	ST	S	30	U	27 30 40 50	80 90	10W	700 770 850 960	...	DO DA DP	10 20 40
STRIX 50 SYM					50				26W	1820 1993 2210 2426			
STRIX 100 SYM					100				30W	2100 2300 2550 2800			

STRIX 30 / 50 / 100

ASYMMETRIC



	CODE					LIGHT SOURCE	CCT	>CRI	LED POWER	NOMINAL LUMEN	BEAM ANGLE BA	DRIVER OPTION	FINISH
STRIX 30 ASYM	T-	RE	ST	AS	30	U	27 30 40 50	80 90	10W	700 770 850 960	...	DO DA DP	10 20 40
STRIX 50 ASYM					50				26W	1820 1993 2210 2426			
STRIX 100 ASYM					100				30W	2100 2300 2550 2800			



Body

Linear downlight fixture with springs for installation on ceiling thickness up to 25mm.

Luminaire body in cast aluminum with integrated faceted reflector screen made of thermoplastic.

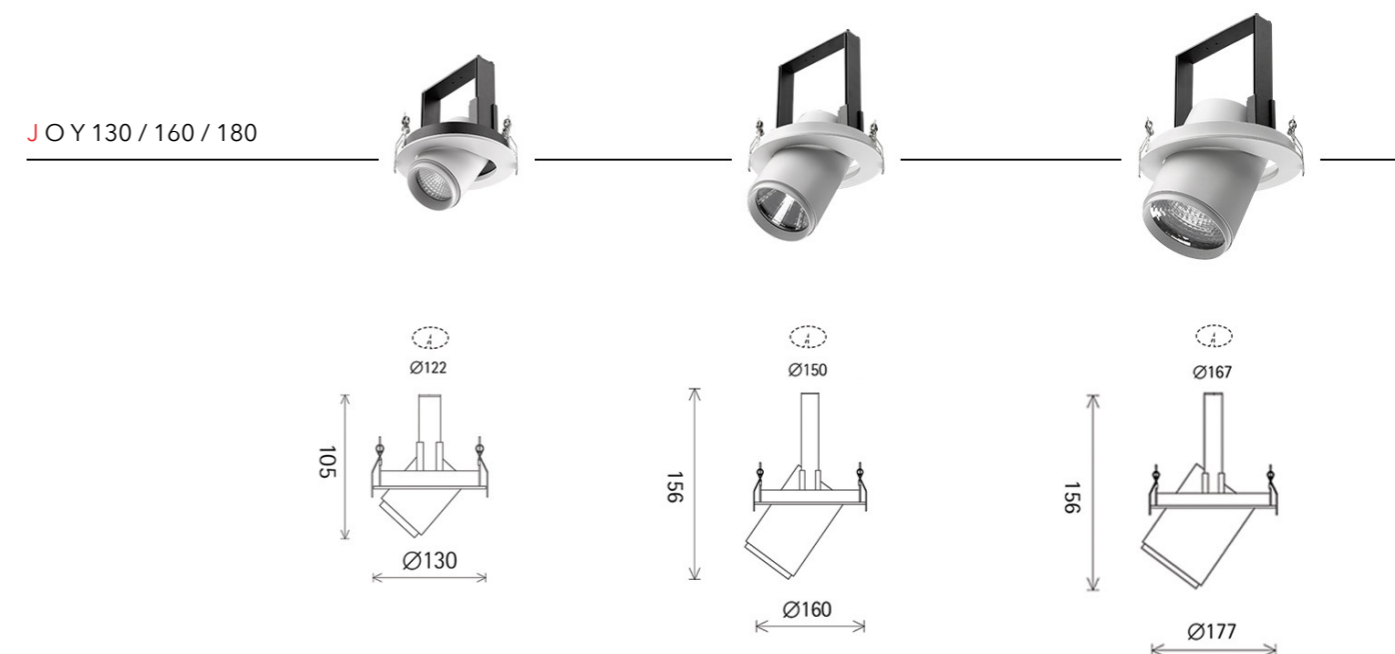
Available in different configurations up to 15 light heads fixed or tiltable.

Ideal for minimalist style architecture for either residential, hotel, restaurant and retail spaces.

Related products



	CODE				LIGHT SOURCE	CCT	>CRI	LED POWER	NOMINAL LUMEN	BEAM ANGLE BA	DRIVER OPTION	FINISH
	T	RE	HA	80								
HALO 80				80	A E U	30 40	80	5W	560 615	75°	DO DA	10 <input type="checkbox"/> 20 <input type="checkbox"/>
HALO 100				100				19W	2033 2230	80°		
HALO 130				130				28W	2296 3276	80°		



Body

Round mounting trim in cast aluminum with springs for installation on a ceiling thickness of 1-25mm.

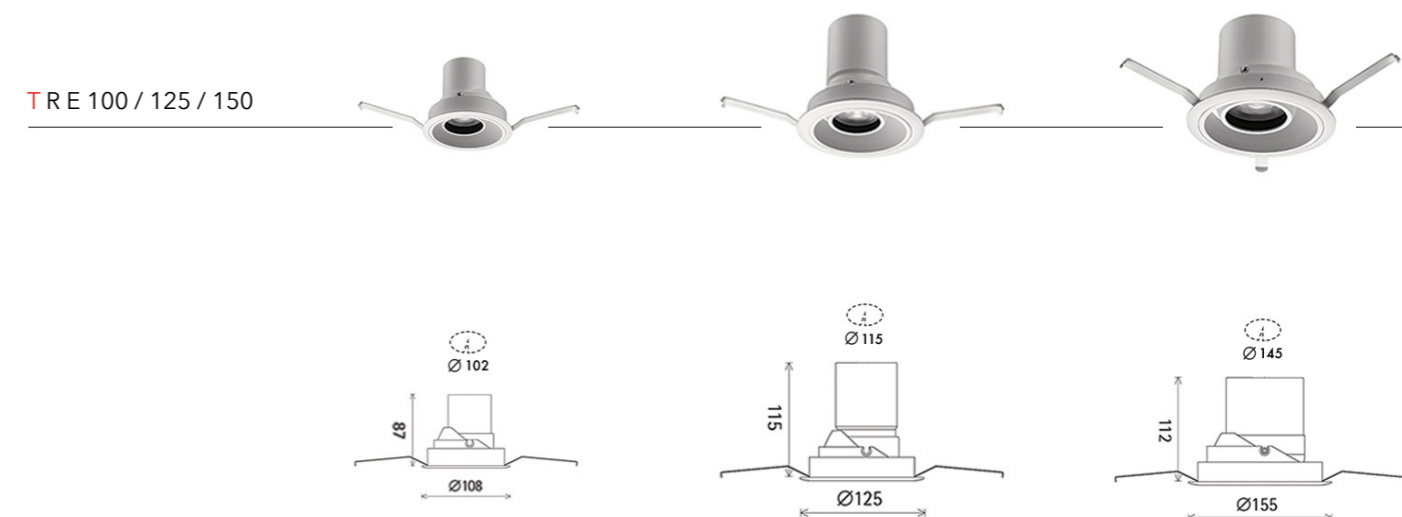
Luminaire body in cast aluminum with fully retractable light head.

Tiltable up to 70° and rotatable horizontally 360°.

Versatile light fixture, "JOY" can either function as powerful recessed downlight or as spotlight.

"JOY" is perfect for showroom areas, museums, art galleries, retail and restaurants.

	CODE				LIGHT SOURCE	CCT	>CRI	LED POWER	NOMINAL LUMEN	BEAM ANGLE BA	DRIVER OPTION	FINISH
	T	RE	JO									
JOY 130				130	E	30 40	80 90	19W	1691 1862	18° 28° 45°	DO DA DI	10 <input type="checkbox"/> 20 <input type="checkbox"/> 30 <input type="checkbox"/>
JOY 160				160				28W	2800 3080	16° 24° 55°		
JOY 180				180				38W	3838 4104	17° 30° 50°		



Body

Round mounting trim in cast aluminum with brackets. for trim installation on a ceiling thickness max 25mm.

Luminaire body inclusive of snoot in cast aluminum with inner part painted black.

Great visual comfort due to the regressed position of the lighting source.

Adjustability with a 45° tilt vertically and a 350° rotation horizontally

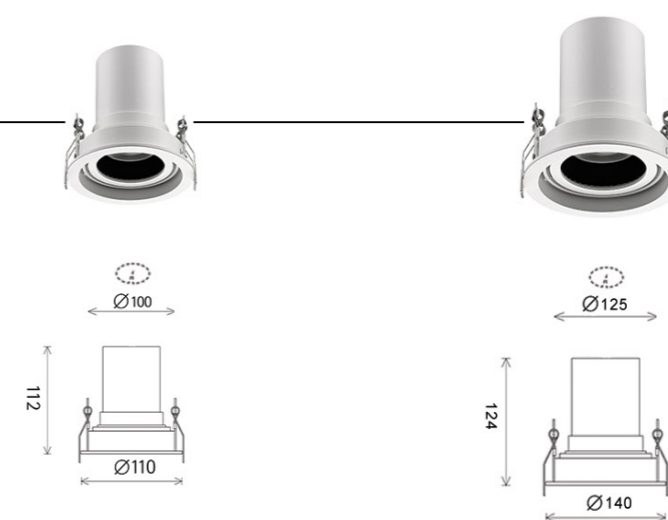
Related products



	CODE				LIGHT SOURCE	CCT	>CRI	LED POWER	NOMINAL LUMEN	BEAM ANGLE BA	DRIVER OPTION	FINISH
TRE 100	T	RE	TR	100	A E U	30 40	80	10W	1041	16'	DO DA	10 <input type="checkbox"/> 20 <input type="checkbox"/>
									1150	27'		
										45'		
TRE 125				125				19W	1729 1900	25' 33' 45'		
TRE 150				150				28W	2800 3080	20' 40' 50'		



VEDO 100 / 150



Body

Round mounting trim in cast aluminum with springs for installation in a ceiling thickness of 1-25 mm.

Luminar body in cast aluminum, regressed position of the luminous source with antiglare, ring with black frame for high visual comfort.

Tiltable vertically in 2 directions 0-50° rotatable horizontally 350°.

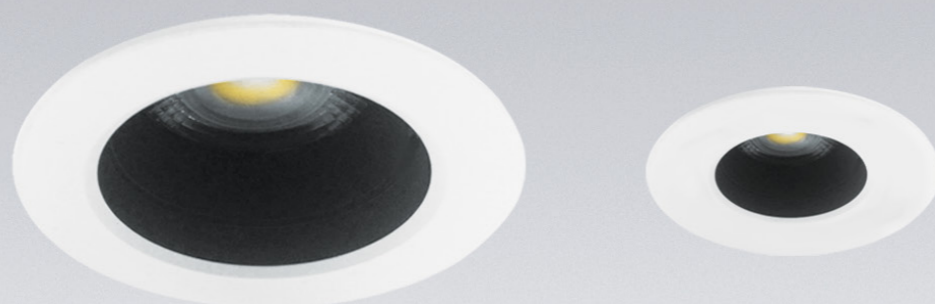
Versatile luminaire perfect for residential, hospitality and residential project.

Related products

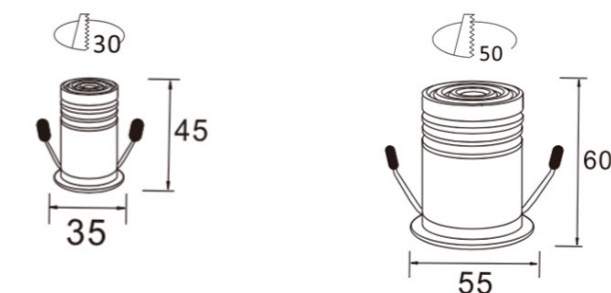


	CODE				LIGHT SOURCE	CCT	>CRI	LED POWER	NOMINAL LUMEN	BEAM ANGLE BA°	DRIVER OPTION	FINISH
VEDO 100	T	RE	VE	100	A E U	30	80	10W	1040	16°	DO	10
						40			1150	27°		20
VEDO 150				150				28W	2800 3080	20° 40° 50°		

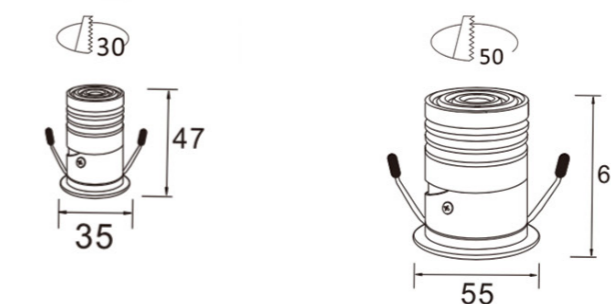
REAL SIZE



LEA 35 / 55
FIXED



LEA 35 / 55
ADJUSTABLE



Body

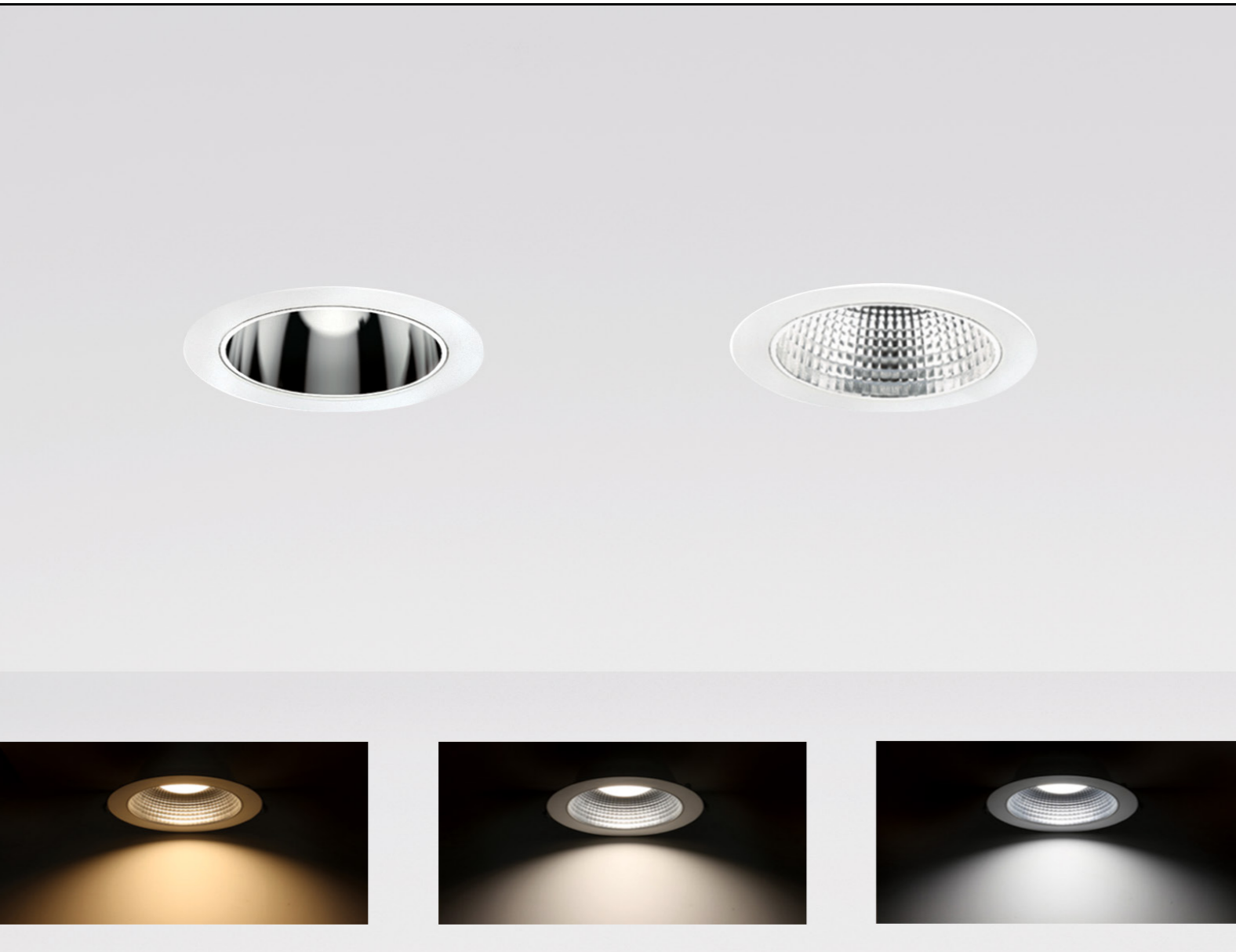
Round shape mounting trim in diecast aluminum. With brackets for installation on ceiling thickness up to 25mm.

The regressed position of the light source makes this light fixture gentle and high performing.

Available in fixed or adjustable version.

"Lea" is ideal for residential, showrooms and hospitality.

	CODE				LIGHT SOURCE	CCT	>CRI	LED POWER	NOMINAL LUMEN	BEAM ANGLE BA	DRI ER OPT ION	FINISH
LEA 35 FIXED	T-	RE	LE	35	Y	27	80	3W	240	10' 24' 36'	DO DA	10 <input type="checkbox"/>
						30						20 <input type="checkbox"/>
LEA 55 FIXED				55	A	40		6W	480			
LEA 35 ADJUSTABLE	T-	RE	LEAD	35	Y	27	80	3W	240	10' 24' 36'	DO DA	10 <input type="checkbox"/>
						30						20 <input type="checkbox"/>
LEA 55 ADJUSTABLE				55	A	40		6W	480			



Body

Round shape mounting trim with springs for installation on ceiling up to 30mm.

Luminaire body in cast aluminum and thermoplastic. Available with specular/faceted reflector.

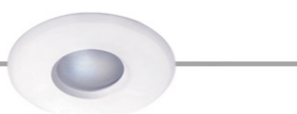
The integrated matte/milky convex diffuser ensure a wide and soft light distribution as well as an high efficiency in terms of performance.

The light fixture comes already with a manual adjustable CCT, which can be switched through a side button at 3000k 4000k 5000k.

"QUO" is an IP44 rated down light, ideal for any sort of projects.

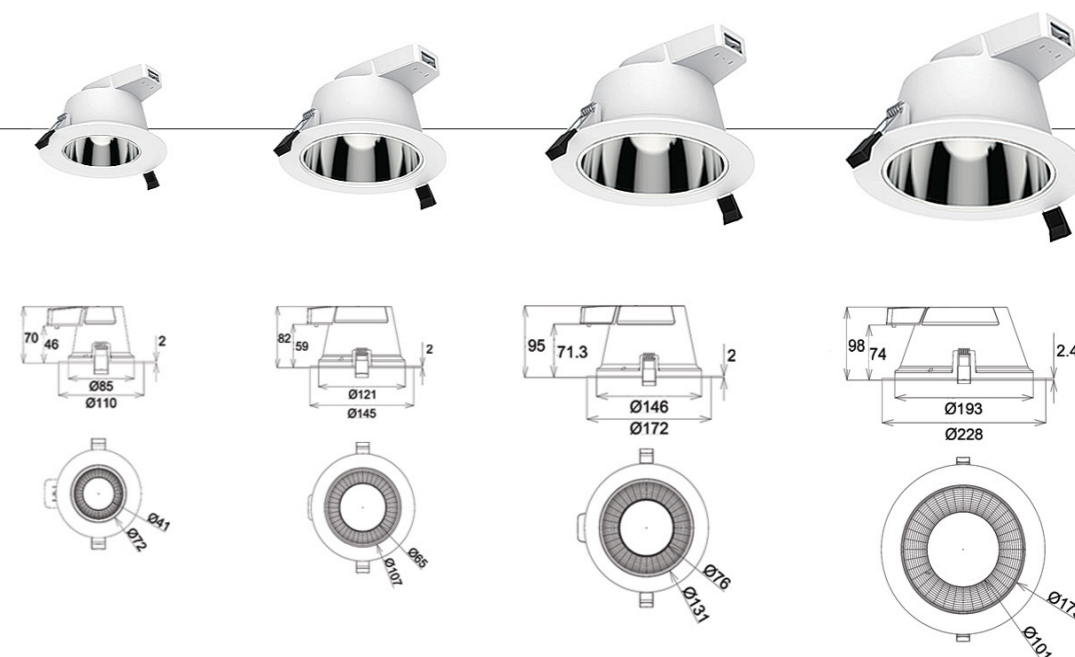
Related products

DROP



QUO

130 / 150 / 180 / 250



	CODE				LIGHT SOURCE	CCT	>CRI	LED POWER	NOMINAL LUMEN	BEAM ANGLE BA	DRIVER OPTION	FINISH
QUO 100	T-	RE	QO	100	A E U CREE CITIZEN BRIDGELUX	3000 4000 5700	80	6W	470 520	60' 90'	DO	10 <input type="checkbox"/> 20 <input type="checkbox"/>
QUO 130				130				13W	1200 1400			
QUO 180				180				18W	1710 1980			
QUO 250				250				25W	2330 2780			



Body

Round mounting trim in cast aluminum with springs for installation on a ceiling thickness up to 25mm.

Available in two different designs: Pin and Slot, designed with deep regressed lamp position for glare-free comfort.

"Pao Slot" is tiltable vertically 0 - 30°.

"Pao" is highly versatile and perfect for either residential, commercial and hospitality projects.

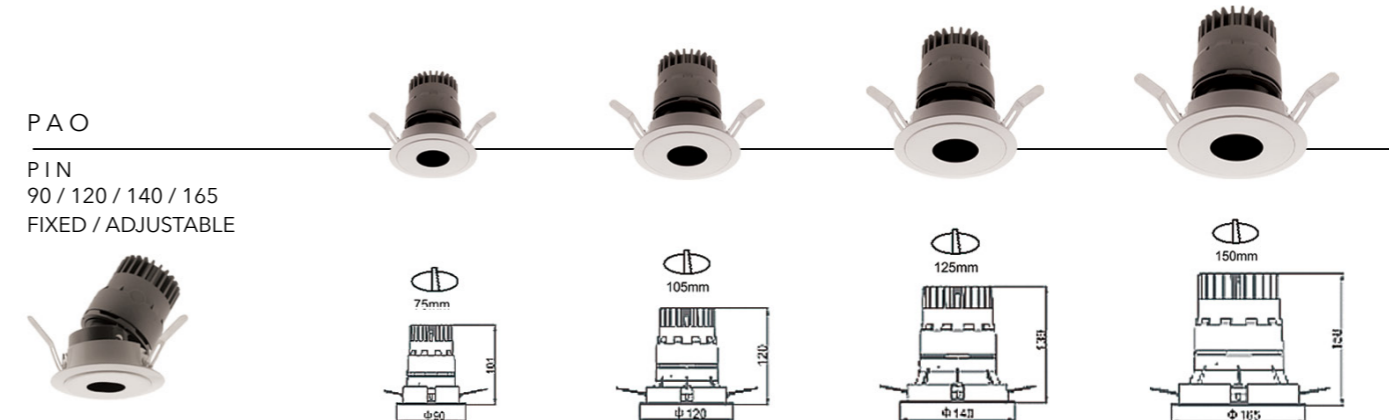
Related products

NITE



PAO

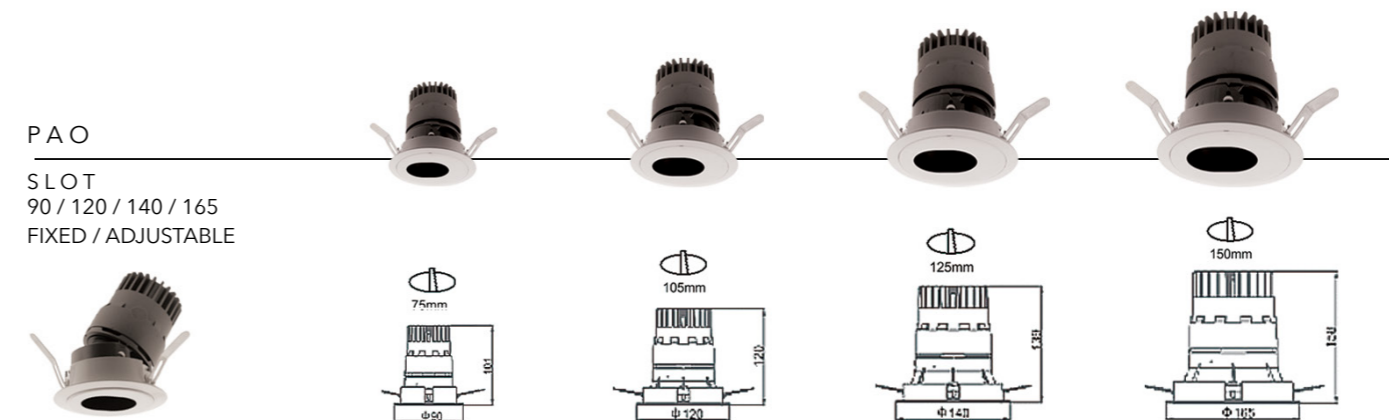
PIN
90 / 120 / 140 / 165
FIXED / ADJUSTABLE



	CODE					LIGHT SOURCE	CCT	>CRI	LED POWER	NOMINAL LUMEN	BEAM ANGLE BA	DRIVER OPTION	FINISH
PAO 90 PIN FIX/ADJ	T-	RE	PA	P	F FIXED A ADJ	90	A	90	7 / 11W	350 / 767	15 24 36	DO DI	10
										466 / 866			20
										600 / 890			
PAO 120 PIN FIX/ADJ					120			15W	1550 1416 1516				
PAO 140 PIN FIX/ADJ					140			24W	2220 2284 2383				
PAO 165 PIN FIX/ADJ					165			35W	3116 3250 3383				

PAO

SLOT
90 / 120 / 140 / 165
FIXED / ADJUSTABLE



	CODE					LIGHT SOURCE	CCT	>CRI	LED POWER	NOMINAL LUMEN	BEAM ANGLE BA	DRIVER OPTION	FINISH
PAO 90 PIN FIX/ADJ	T-	RE	PA	P	F FIXED A ADJ	90	A	90	7 / 11W	350 / 767	15 24 36	DO DI	10
										466 / 866			20
										600 / 890			
PAO 120 PIN FIX/ADJ					120			15W	1550 1416 1516				
PAO 140 PIN FIX/ADJ					140			24W	2220 2284 2383				
PAO 165 PIN FIX/ADJ					165			35W	3116 3250 3383				



Body

Round and square mounting trim in cast aluminum with springs for installation on a ceiling thickness up to 25mm.

luminaire body in cast inclusive of reflector both in aluminum.
Available: mirror - gold - matt black - glossy black - baffle.

"Nite" is available in fixed or adjustable version 30° tiltable vertically and 350° rotatable.

Thanks to the rich line of accessories, "Nite" is highly versatile and perfect for either residential, commercial and hospitality projects.

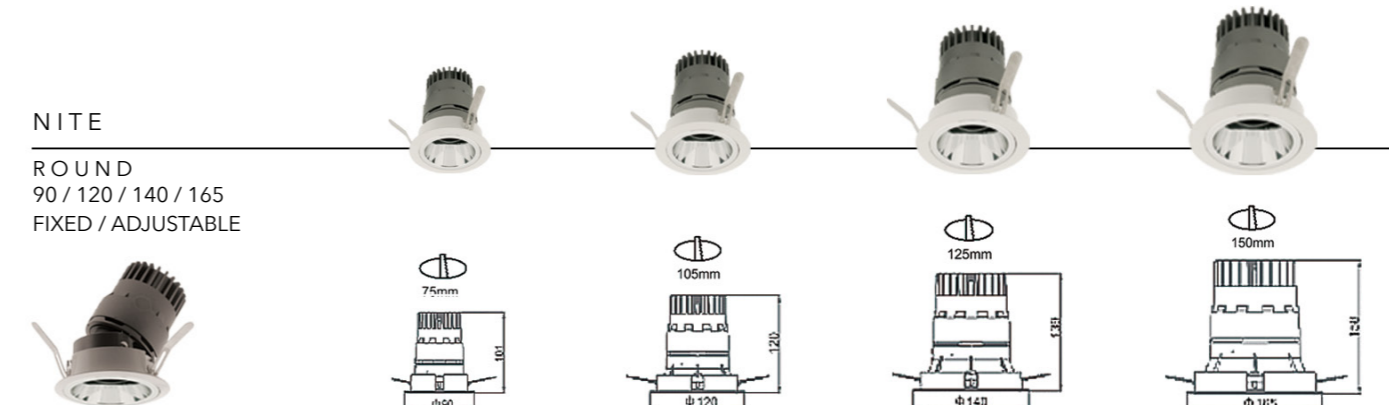
Related products

PAO



NITE

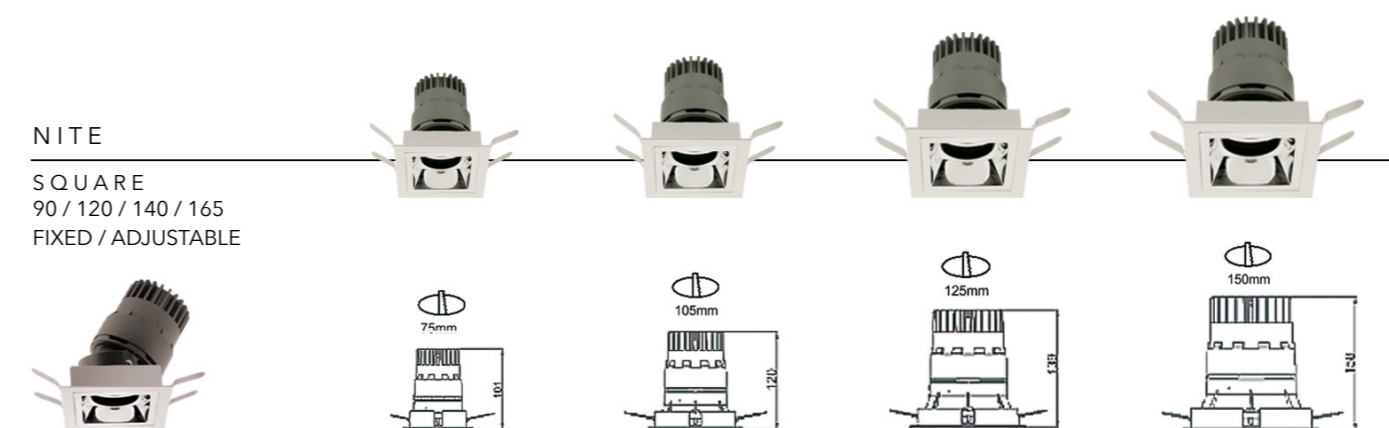
ROUND
90 / 120 / 140 / 165
FIXED / ADJUSTABLE



	CODE				LIGHT SOURCE	CCT	>CRI	LED POWER	NOMINAL LUMEN	BEAM ANGLE BA	DRIVER OPTION	FINISH
NITE 90 ROUND FIX/ADJ	T-	RE	NI	R F FIXED A ADJ	90	A	90	7 / 11W	350 / 767	15	DO DI	10
									466 / 866			24
									600 / 890			36
NITE 120 ROUND FIX/ADJ					120			15W	1550			20
								1416				
								1516				
NITE 140 ROUND FIX/ADJ					140			24W	2220			
								2284				
NITE 165 ROUND FIX/ADJ					165			35W	3116			
								3250				
									3383			

NITE

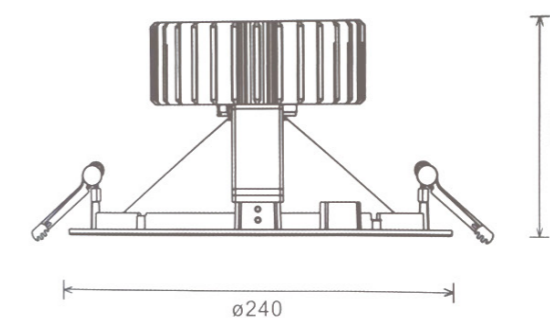
SQUARE
90 / 120 / 140 / 165
FIXED / ADJUSTABLE



	CODE				LIGHT SOURCE	CCT	>CRI	LED POWER	NOMINAL LUMEN	BEAM ANGLE BA	DRIVER OPTION	FINISH
NITE 90 SQUARE FIX/ADJ	T-	RE	NI	S F FIXED A ADJ	90	A	90	7 / 11W	350 / 767	15	DO DI	10
									466 / 866			24
									600 / 890			36
NITE 120 SQUARE FIX/ADJ					120			15W	1550			20
								1416				
								1516				
NITE 140 SQUARE FIX/ADJ					140			24W	2220			
								2284				
NITE 165 SQUARE FIX/ADJ					165			35W	3116			
								3250				
									3383			



DAY



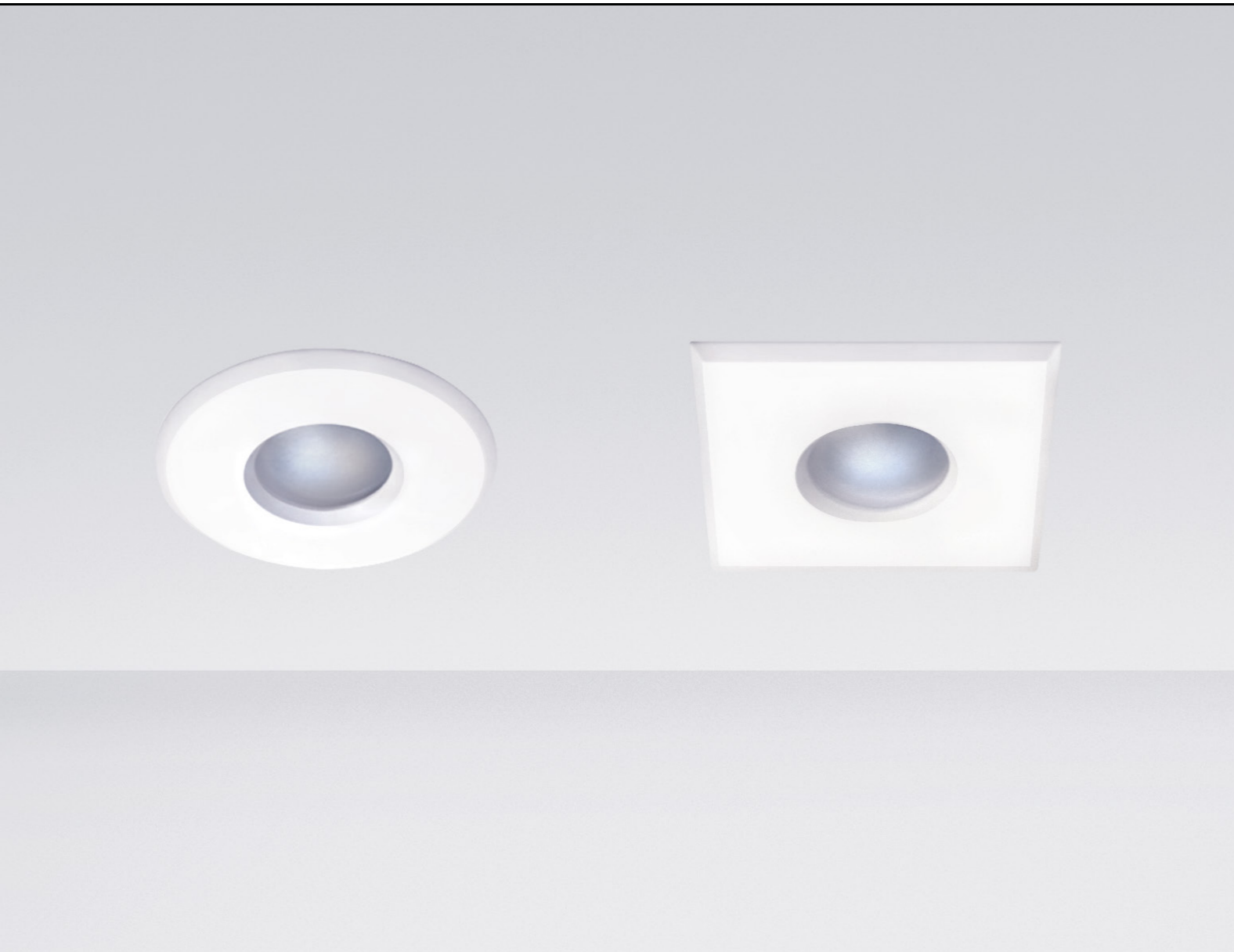
Body

Round mounting trim in die cast aluminum with springs for trim installation on a ceiling thickness of max 25mm.

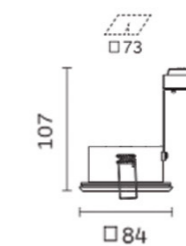
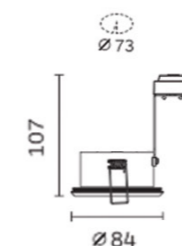
Aluminum anodized specular silver reflector. "Day" is ideal for high ceiling areas that require a strong uniform general lighting solution.



DAY	CODE			LIGHT SOURCE	CCT	>CRI	LED POWER	NOMINAL LUMEN	BEAM ANGLE BA°	DRIVER OPTION	FINISH
	T-	RE	DA	A Y U I	30 40	80	51W	5200 5300	90°	DO	10 <input type="checkbox"/> 20 <input checked="" type="checkbox"/>



D R O P
R O U N D / S Q U A R E



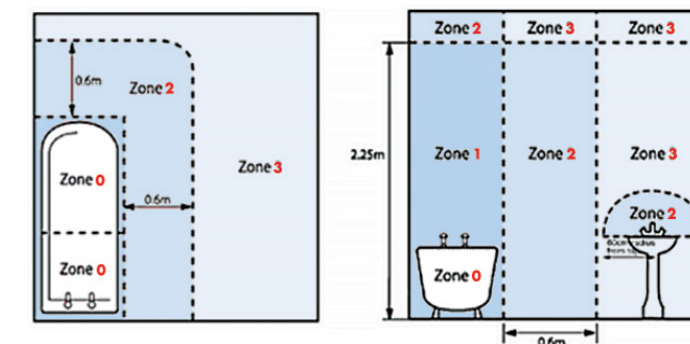
The diagrams show a bathroom split into four clear zones: 0, 1, 2 and 3.

Zone 0 is inside the bath or shower itself. Any fitting used in this zone must be low voltage, (max 12v) and be rated at least IP67 which is total immersion proof.

Zone 1 is the area above the bath to a height of 2.25m from the floor. In this zone a minimum rating of IP44 is required. If the fitting is 240v a 30ma residual current device (RCD) must also be used to protect the circuit in this zone.

Zone 2 is an area stretching 0.6m outside the perimeter of the bath and to a height of 2.25m from the floor. In this zone an IP rating of at least IP44 is required. In addition it is good practice to consider the area around a wash basin, within a 60cm radius of any tap to be considered as zone 2.

Zone 3 is anywhere outside zones 0,1 and 2 (subject to specific limits) and where no water jet is likely to be used. No IP rating is required. In addition to the above, if there is a likelihood of water jets being used for cleaning purpose in zones 1,2 and 3 a fitting rated a minimum IP65 must be used.



Body

Round or square shape. Mounting trim in cast aluminum with springs for trim installation on a ceiling thickness max. 25mm.

Trim equipped with silicone water seal. IP54 (protection against dust and water) fixture. Easy relamping via removable front ring. Ideal for areas with water splashes, condensation and steam such as bathroom, sauna, spa, retail and undercanopy area.

LED Sources:
GU5.3-MR16 and GU10-MR16- double D.50
CRI/CCT: according with the chosen luminous source.

Related products

Q U O



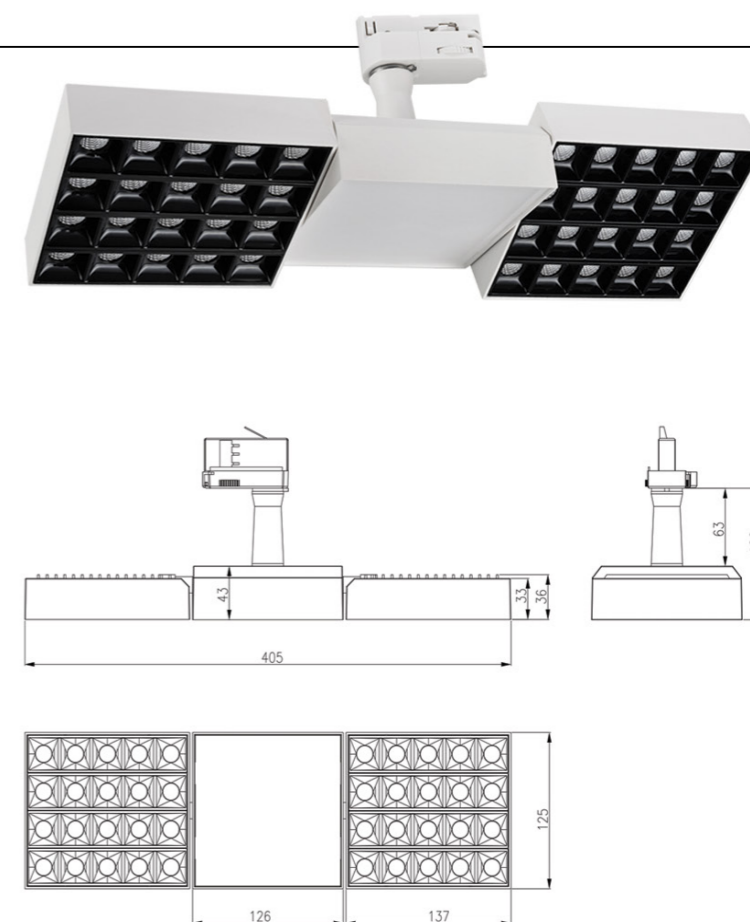
	CODE				LIGHT SOURCE	CCT	>CRI	LED POWER	NOMINAL LUMEN	BEAM ANGLE BA'	DRIVER OPTION	FINISH
D R O P R O U N D	T-	RE	DR	R	GU53 Retrofit MR16 - GU53 GU10 Retrofit GZ10 - GU10	/	/	/	/	/	/	10 <input type="checkbox"/> 20 <input type="checkbox"/> 30 <input type="checkbox"/>
D R O P S Q U A R E				S								



TRACK
LIGHTS



BAT



Body

Track mounted spotlight, rotatable horizontally 350° central fixed basic light with polycarbonate diffuser plus 2 independent side luminous heads tiltable vertically and horizontally 350°.

Luminaire body in cast aluminum with integrated faceted screen made in thermoplastic.

Related products

PEPE 20 / 30



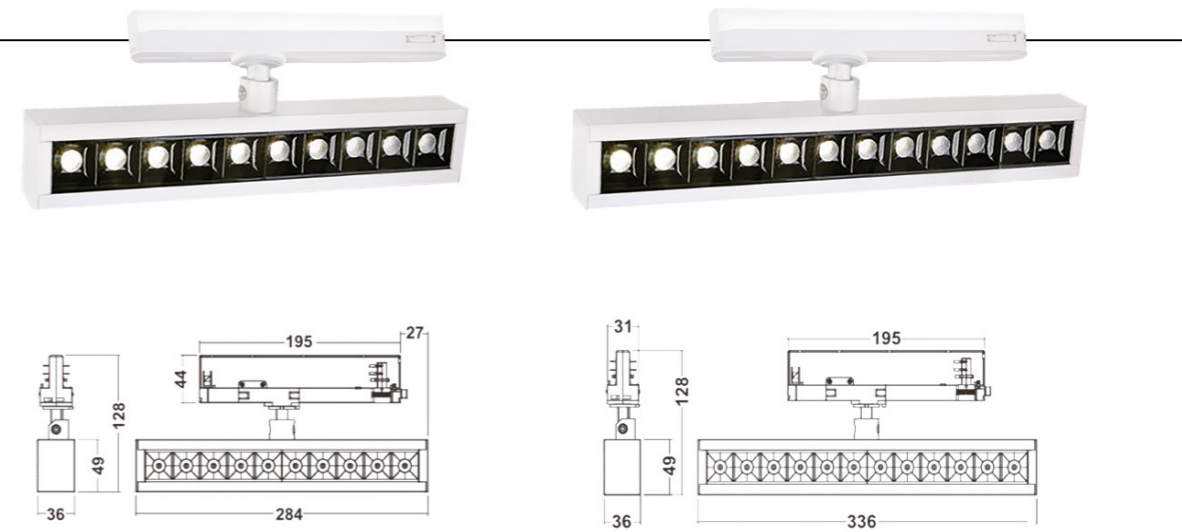
ULTRA



CODE	LIGHT SOURCE	CCT	>CRI	LED POWER	NOMINAL LUMEN	BEAM ANGLE BA'	DRIVER OPTION	FINISH
BAT		27 30 40	80 90	30+12+30w	4738	15' 30' 45'	DO	10 <input type="checkbox"/> 20 <input checked="" type="checkbox"/>



PEPE 20/30



Body

Track mounted spotlight with die cast aluminum body inclusive of integrated faceted no dazzle louvre in thermoplastic.

Available in 1 or 3 circuits.

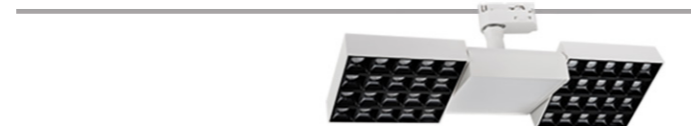
Angle tiltable vertically 0 - 90° rotatable horizontally 350°.

Classic still outstanding design, with an almost total antiglare effect.

Ideal for art galleries, residential, hotel and commercial areas.

Related products

BAT



ULTRA

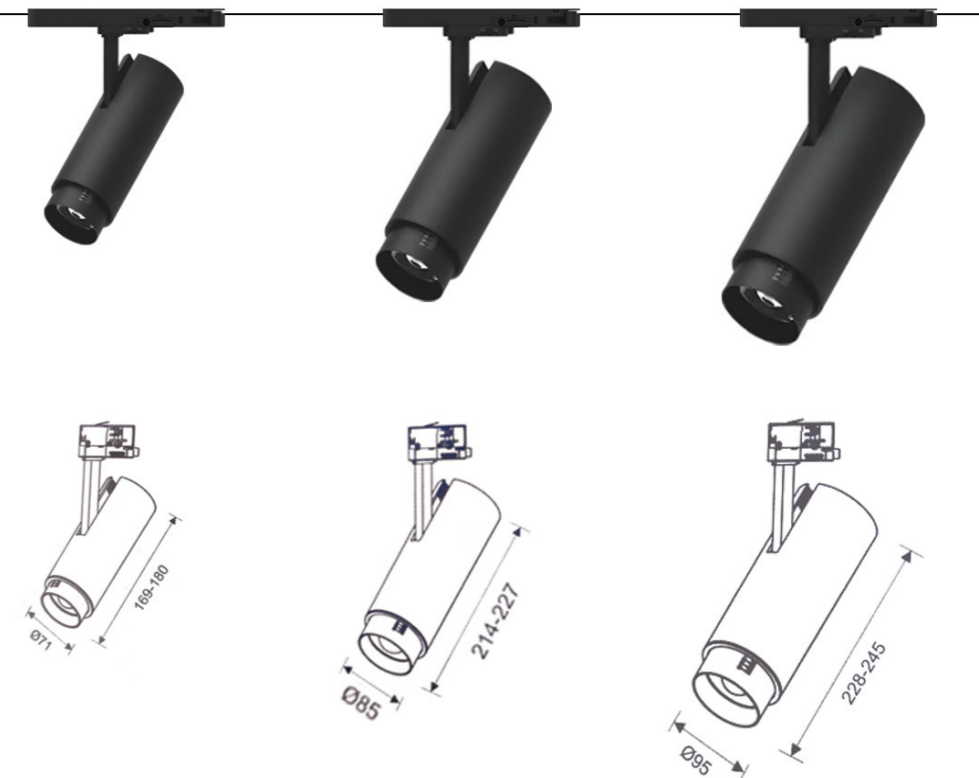
ADJUSTABLE



	CODE				LIGHT SOURCE	CCT	>CRI	LED POWER	NOMINAL LUMEN	BEAM ANGLE BA'	DRIVER OPTION	FINISH
PEPE 20	T	TR	PE	20	A CREE	30	80	20W	1700	12' 34' 48'	DO DA	10 <input type="checkbox"/>
						40						20 <input type="checkbox"/>
PEPE 30				30				30W	2600			



MINE 20/30/40



Body

Projector with cast aluminum light head (integrated driver)
Tiltable vertically 0 - 90°, rotatable horizontally 350°.

The zoomable lense allow to adjust the beam angle
15° - 45°
15° - 60°.

Ideal to be installed in areas that require flexibility
in showcasing objects such as museum, hospitality and
retail.

Ralated products



	CODE				LIGHT SOURCE	CCT	>CRI	LED POWER	NOMINAL LUMEN	BEAM ANGLE BA	DRIVER OPTION	FINISH
MINE 20	T-	TR	MI	20	D	30 40	80	18W	1550 1870	15-45°	DO DA DP	10 <input type="checkbox"/> 20 <input type="checkbox"/>
MINE 30				30				25W	2290 3040	15-60°		
MINE 40				40				33W	2700 3230			



Body

Track mounted spotlight with light head and reflector diecast aluminum.

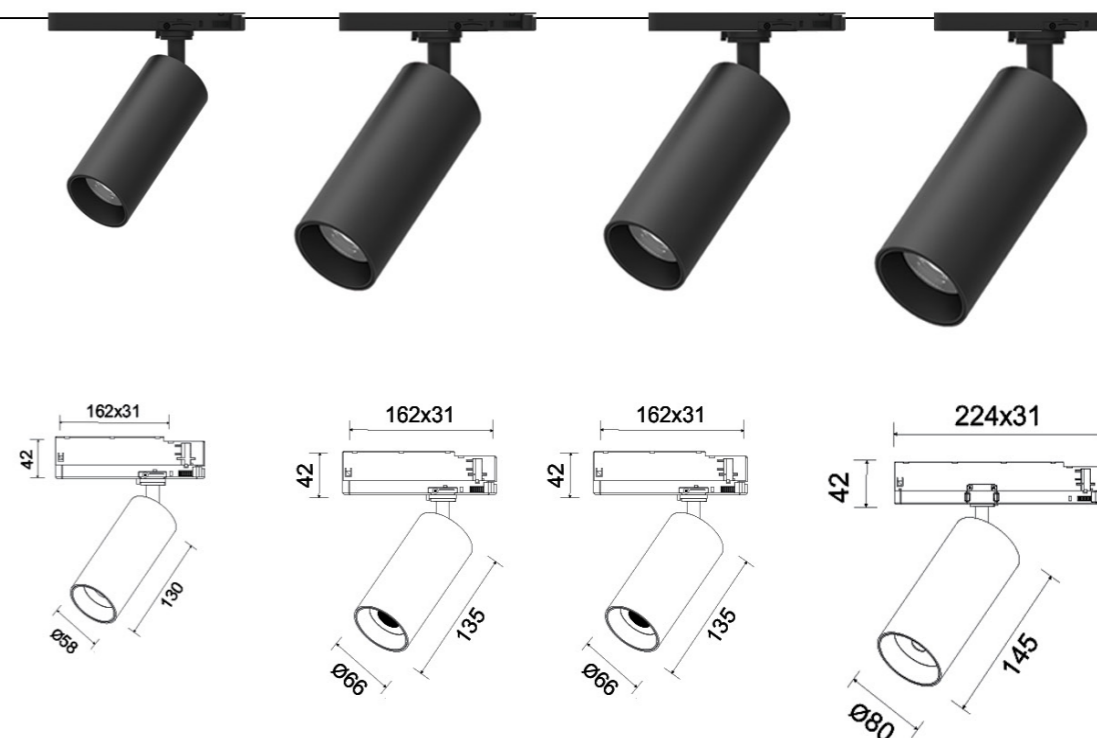
Tiltable vertically 0 - 90° and rotatable horizontally 350°. Clean, simple and classy design, perfect to meet high technical requirements with a simple clean aesthetic.

Ideal for museum, offices and as well for residencial and hospitality projects.

Related products



ELLE 14/20/28/32



	CODE				LIGHT SOURCE	CCT	>CRI	LED POWER	NOMINAL LUMEN	BEAM ANGLE BA	DRIVER OPTION	FINISH
ELLE 14	T-	TR	EL	14	A I	30 40	80	14W	1400 1460	20° 24° 36°	DO DA DP NO DIM DALI PMA&DIM	10 <input type="checkbox"/> 20 <input checked="" type="checkbox"/>
ELLE 20				20				18W	1800 1900	15° 24° 36°		
ELLE 28				28				25W	2500 2700	20° 30° 40°		
ELLE 32				32				29W	3000 3100	18° 24° 36°		



SONO



Body

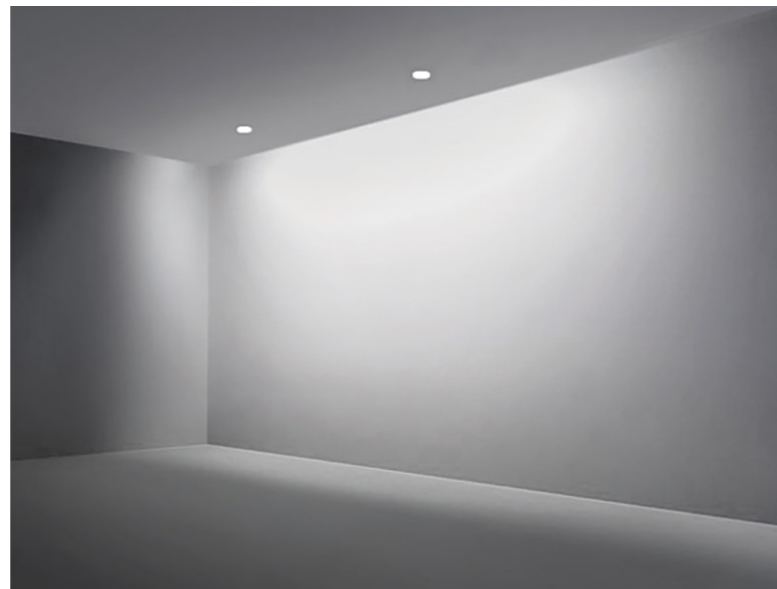
Track mounted wallwasher, with rectangular light head and driver box in cast aluminum.

This powerfull track light tiltable vertically 90° and rotatable

horizontally 350° is ideal for hospitality projects as well as for lobbies and conferences spaces.

Available with CRI 95.

SONO is perfect for art galleries and museums.



	CODE			LIGHT SOURCE	CCT	>CRI	LED POWER	NOMINAL LUMEN	BEAM ANGLE BA°	DRIVER OPTION	FINISH
SONO	T	TR	SO	LOUMINOUS	27 30 40	80 90 95	46W	3500	WW 70°	DO DA	10 <input type="checkbox"/> 20 <input checked="" type="checkbox"/>



Body

Track mounted spotlight with die cast aluminum body inclusive of integrated faceted no dazzle louvre in thermoplastic.

Available in 1 or 3 circuits.

Angle tiltable vertically 0 - 90° rotatable horizontally 350°.

Classic still outstanding design, with an almost total antiglare effect.

Ideal for art galleries, residential, hotel and commercial areas.

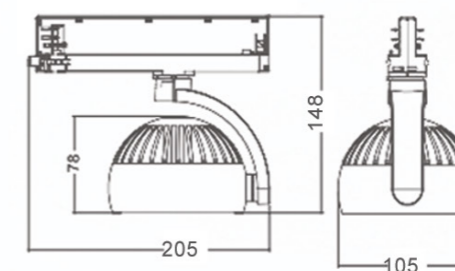
Related products



	CODE				LIGHT SOURCE	CCT	>CRI	LED POWER	NOMINAL LUMEN	BEAM ANGLE BA°	DRIVER OPTION	FINISH
IERI 10	T-	TR	IE	10	A	27	80	10W	695	15°	DO	10
					E	30	90					20
						40						
						50						
IERI 20				20			20W	1411				



GLOBE 20/30



Body

Track mounted spotlight in cast aluminum with a modern fluid shape.

Available in 1 and 3 circuits.

Tiltable vertically 350° and rotatable horizontally 350°. This light fixture is perfect to illuminate vertical surface including upper area of the wall.

The modern yet elegant design which perfectly matches different architectural environments such as art galleries, museums as well as for hospitality, retail and residential projects.

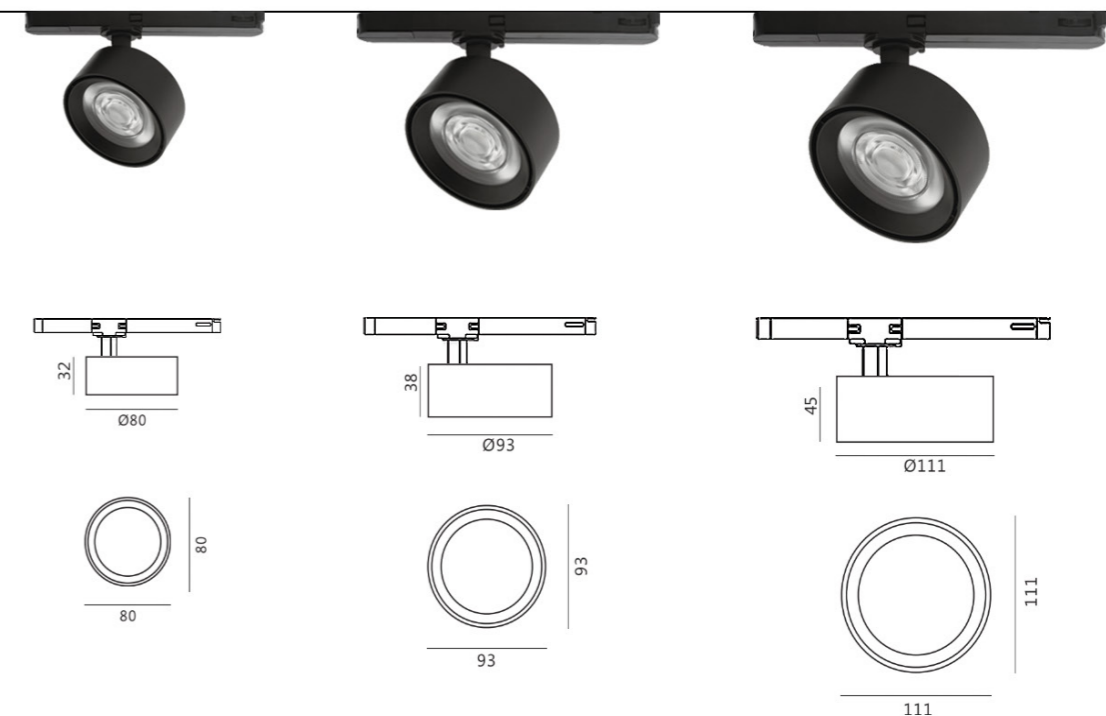
Related products



	CODE				LIGHT SOURCE	CCT	>CRI	LED POWER	NOMINAL LUMEN	BEAM ANGLE BA°	DRIVER OPTION	FINISH
GLOBE 20	T-	TR	GL	20	A CREE	30	80	20W	2200	20° 30° 40°	DO DA	10 <input type="checkbox"/>
						40						20 <input type="checkbox"/>
GLOBE 30				30				30W	3000			



LUNA 15/20/28



Body

Track mounted spot light with light head in diecast aluminum and front cover in thermoplastic.

Available in 3 different sizes and wattages.

Rotatable horizontally 350° and tiltable vertically 90°. "Solo" is really versatile, suitable for many applications for either commercial and residential projects.



Related products

GLOBE



IERI



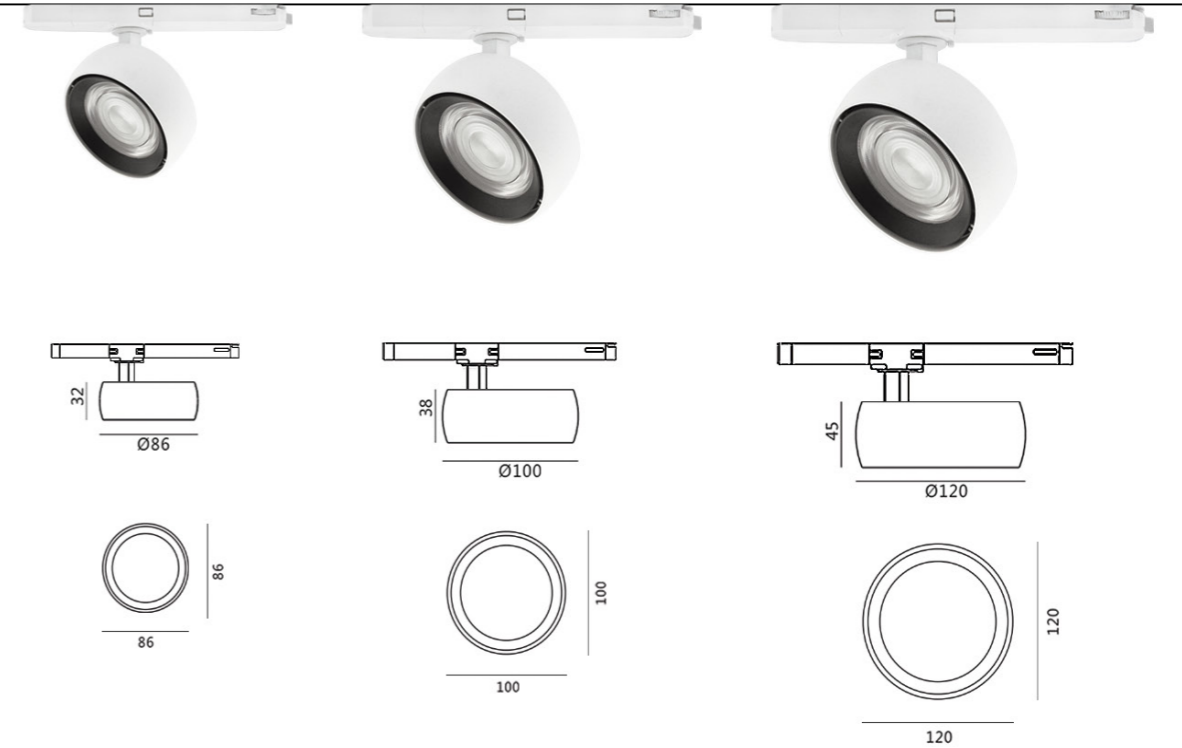
SOLE



	CODE				LIGHT SOURCE	CCT	>CRI	LED POWER	NOMINAL LUMEN	BEAM ANGLE BA	DRIVER OPTION	FINISH
LUNA 15	T-	TR	LU	15	O	30 40	90	15W	1185 1305	15' 20' 36'	DO DA	10 <input type="checkbox"/> 20 <input type="checkbox"/>
LUNA 20				20				20W	1580 1740	15' 20' 36'		
LUNA 28				28				28W	2198 2320	12' 24' 36'		



SOLE 15/20/28



Body

Track mounted spot light with light head in diecast aluminum and front cover in thermoplastic.

Available in 3 different sizes and wattages.

Rotatable horizontally 350° and tiltable vertically 90°. "Sole" is really versatile, suitable for many applications for either commercial and residential projects.



Related products



	CODE				LIGHT SOURCE	CCT	>CRI	LED POWER	NOMINAL LUMEN	BEAM ANGLE BA	DRIVER OPTION	FINISH
SOLE 15	T-	TR	SO	15	O	30 40	90	15W	1185 1305	15° 20° 36°	DO DA	10 <input type="checkbox"/> 20 <input type="checkbox"/>
SOLE 20				20				20W	1580 1740	15° 20° 36°		
SOLE 28				28				28W	2198 2320	12° 24° 36°		



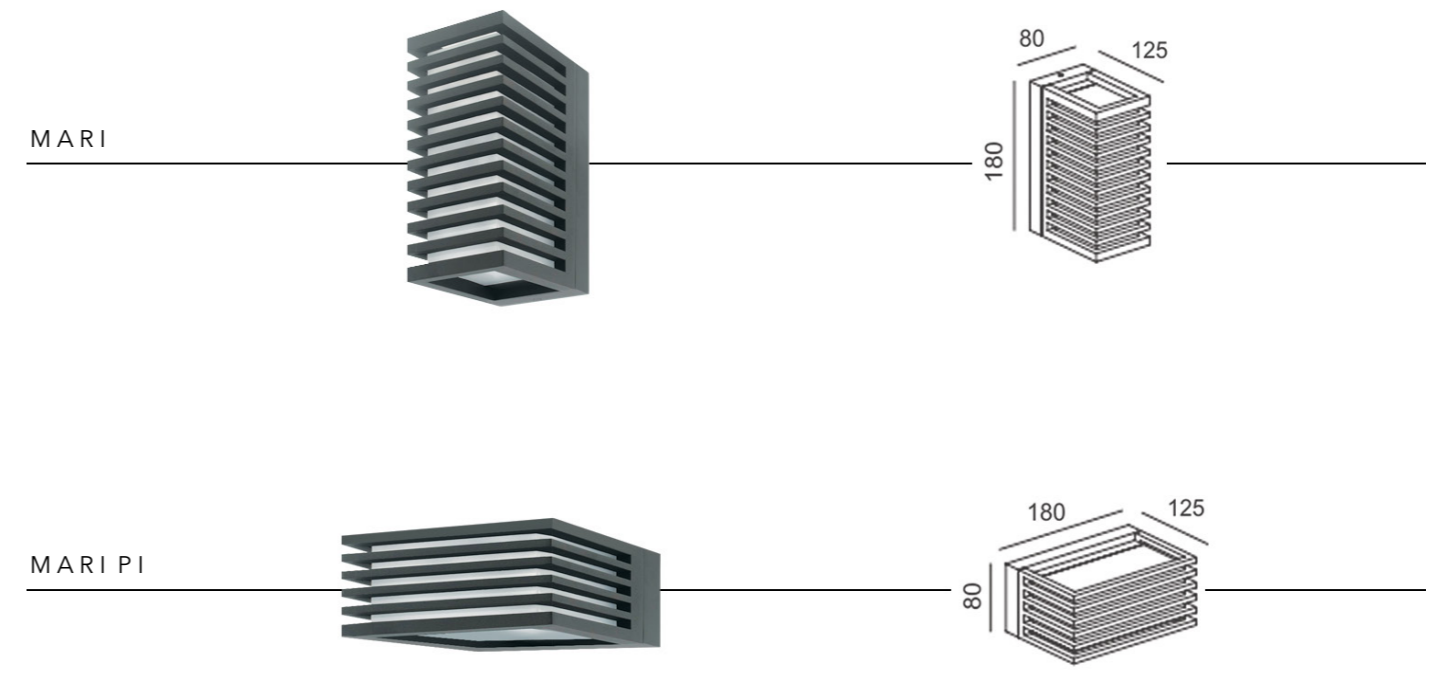
OUTDOOR
LIGHTS



MARI PI



MARI



Body

Compact, elegant, versatile wall mounted light die cast aluminum body with frost PC screen and buildin drive.

"Mari", thanks to a special treatment for outdoor use is ideally designed to be placed into those locations such as walkways, gatepost, columns, fences and facades.



Related products

DANDY



PINO



	CODE				LIGHT SOURCE	CCT	>CRI	LED POWER	NOMINAL LUMEN	BEAM ANGLE BA°	DRIVER OPTION	FINISH
	T-	WA	MA									
MARI					A CREE	30 40	85	9W	/	130°	DO	10 <input type="checkbox"/> 20 <input type="checkbox"/> 30 <input type="checkbox"/> 40 <input type="checkbox"/>
MARI PI				PI								

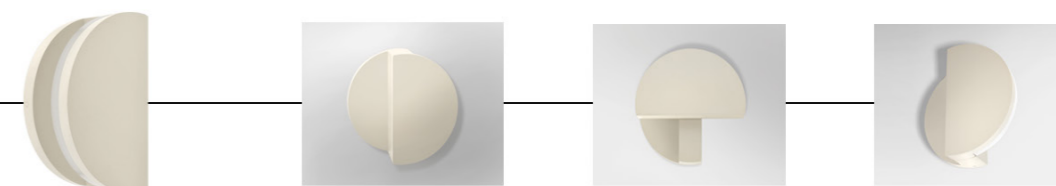
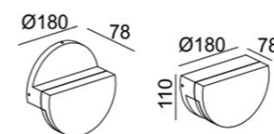


OH

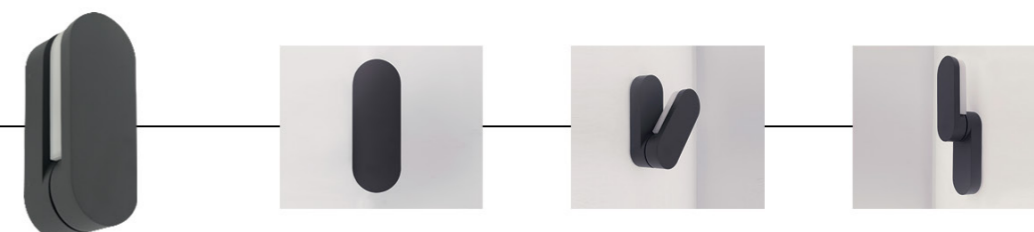
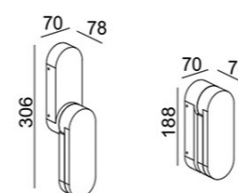
MI

PO

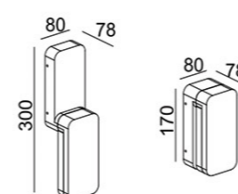
DANDY OH



DANDY MI



DANDY PO



Body

Wall mounted compact modern light with die cast aluminum
Frost PC body.

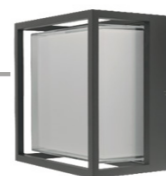
The light body is rotating 180° on its central ax.

Buildin driver, protected by a silicon rubber gasket and a solid aluminum body powder, coated with pre-treatment for outdoor.

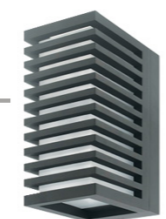
Perfect fro doorway entrances, corridors, walkways, gatepost, fence, columns and facade

Related products

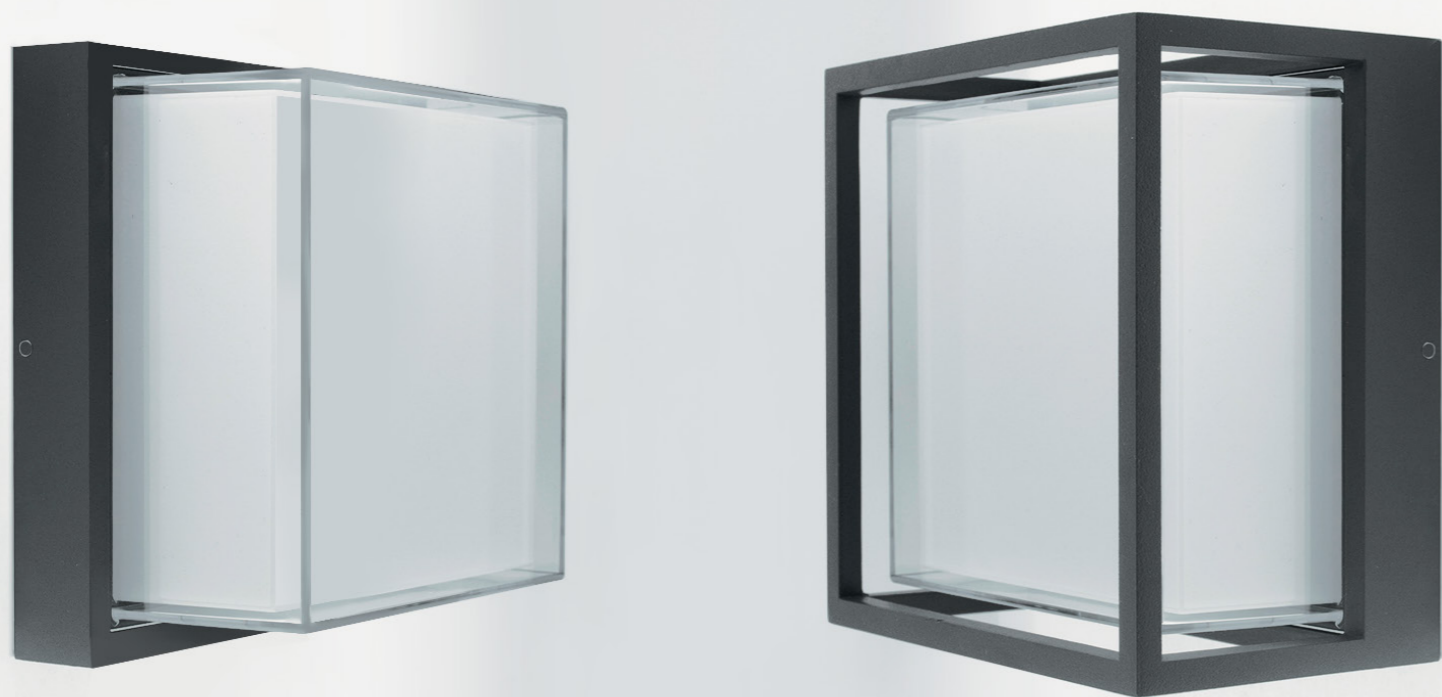
PINO



MARI

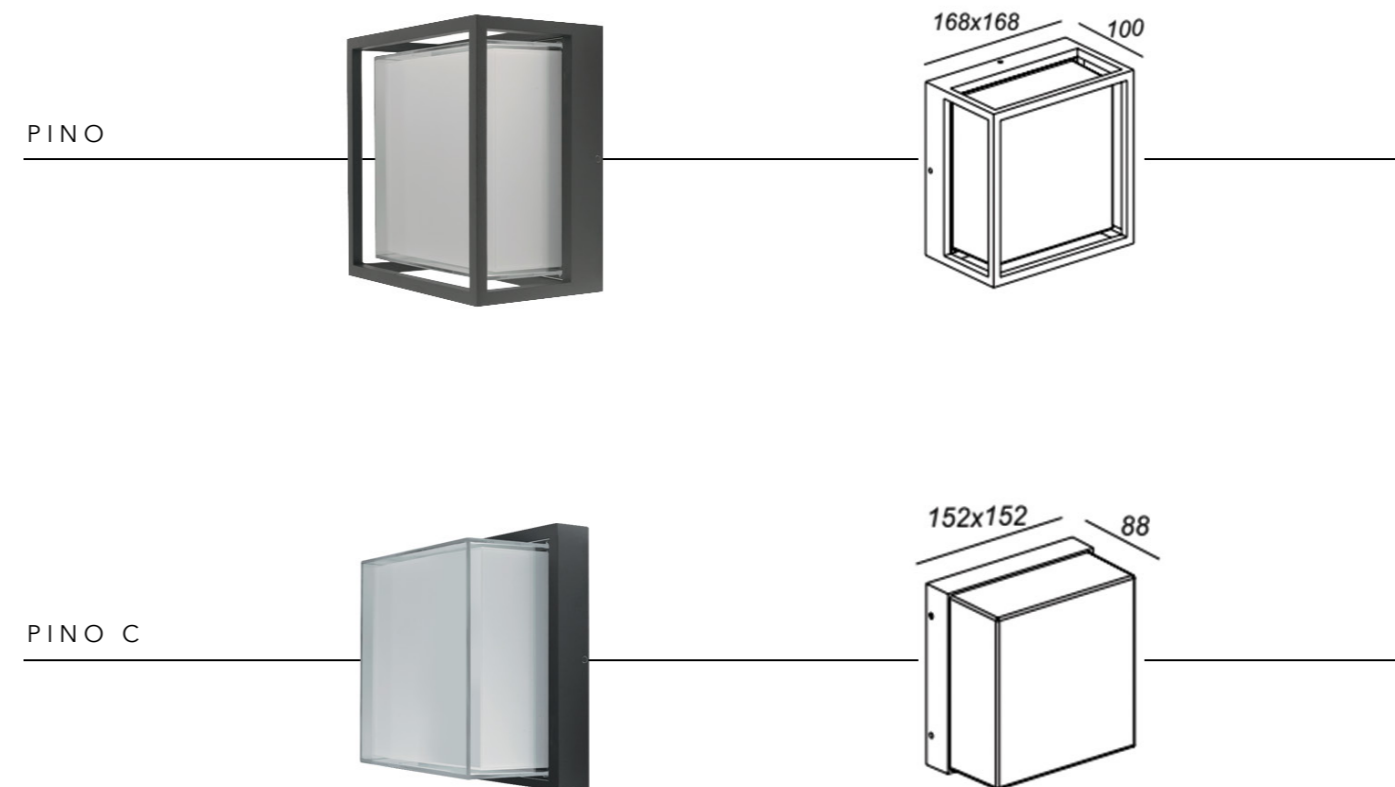


	CODE				LIGHT SOURCE	CCT	>CRI	LED POWER	NOMINAL LUMEN	BEAM ANGLE BA	DRIVER OPTION	FINISH
	T-	WA	DA									
DANDY OH				OH	A	30 40	85	9W	/	97°	DO	10 <input type="checkbox"/>
DANDY MI				MI								20 <input type="checkbox"/>
DANDY PO				PO								50 <input type="checkbox"/>



PINO C

PINO



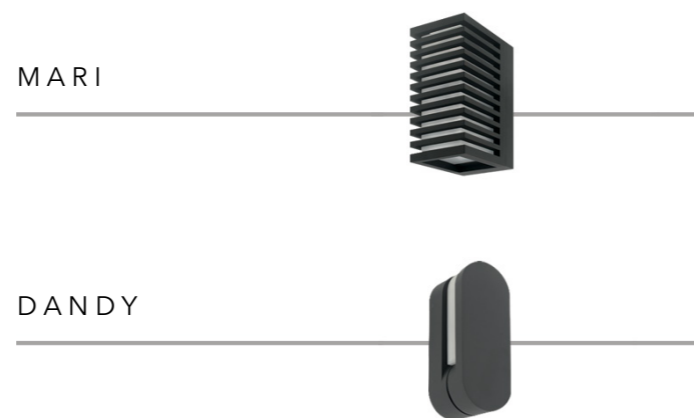
Body

Compact wall mounted light with body in die cast aluminum, frost PC.

"PINO" AS IP65 is ideal for outdoor applications such as entrances and walkways



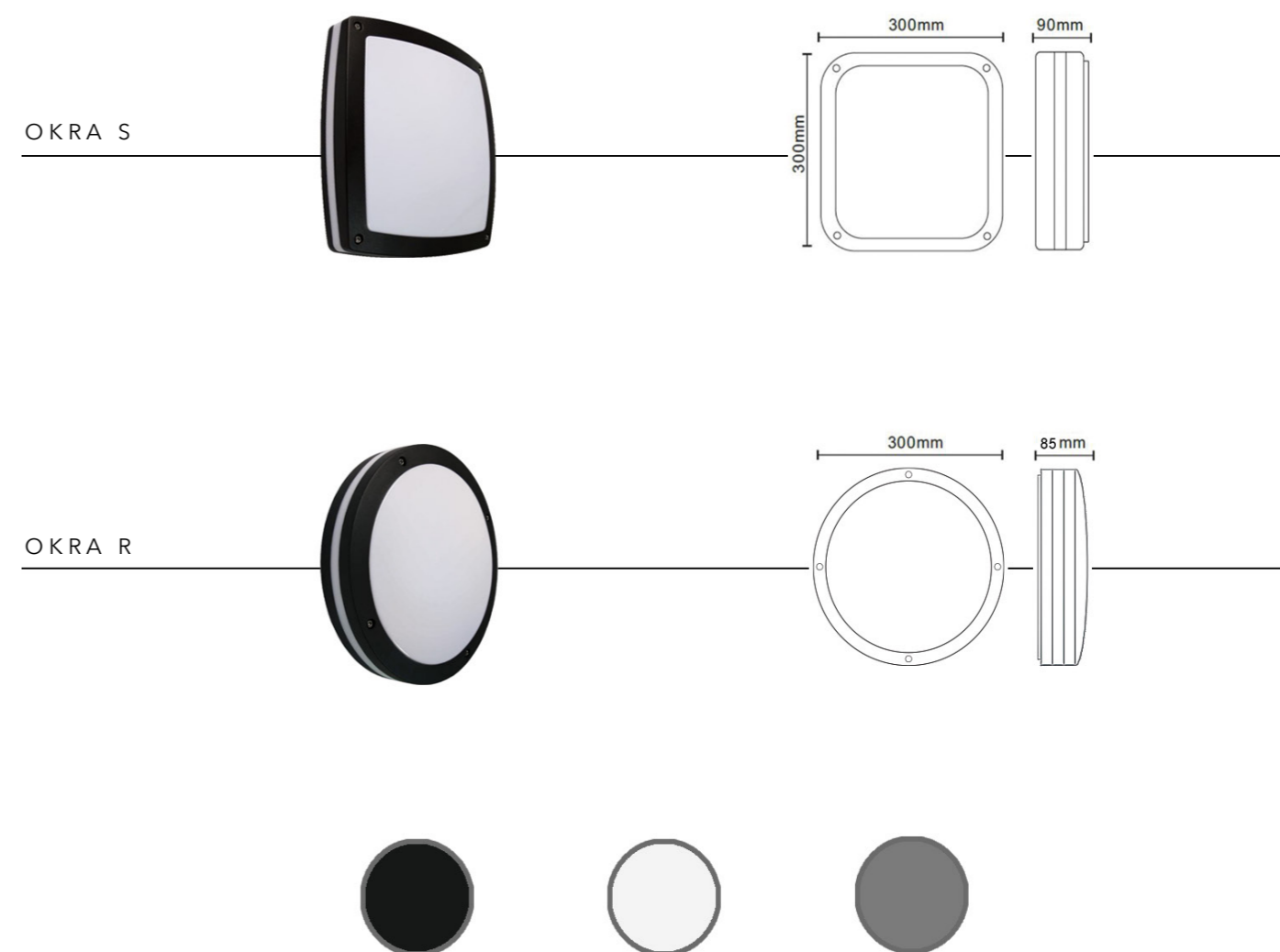
Related products



MARI

DANDY

	CODE				LIGHT SOURCE	CCT	>CRI	LED POWER	NOMINAL LUMEN	BEAM ANGLE BA°	DRIVER OPTION	FINISH
	T-	WA	PI	/								
PINO				/	/	30 40	85	9W	/	150°	DO	10 <input type="checkbox"/> 20 <input type="checkbox"/> 30 <input type="checkbox"/> 40 <input type="checkbox"/>
PINO C				C								



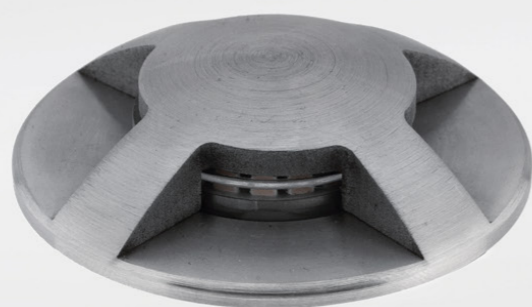
Body

Round or square wall / ceiling luminaire with body in cast aluminum and polycarbonate opal diffuser.

IP65 rated, with its elegant shape and thanks to a side smooth light projection, "Okra" is ideal for both indoor and outdoor applications such as entrances, walkways and canopies.



	CODE				LIGHT SOURCE	CCT	>CRI	LED POWER	NOMINAL LUMEN	BEAM ANGLE BA°	DRIVER OPTION	FINISH
	T-	WA	OK	R								
OKRA ROUND				Z	EPISTAR	30	80	20W	1600	EW	DO	10 <input type="checkbox"/>
				40		40W		3200				20 <input type="checkbox"/>
				60								50 <input type="checkbox"/>
OKRA SQUARE			S									



Body

"Cool" is the ideal recessed driveway uplight.

Lightbody in stainless steel, tempered glass diffuser and watherproof durable silicone gasket.

Complete with thermoplastic box for inground recessed installation.

"Cool" is perfect for walkways, gardens, parks and garage areas.

Integral driver.

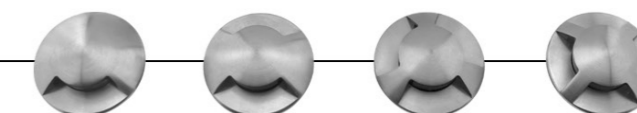
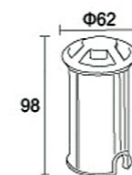
Related products

SIOUX



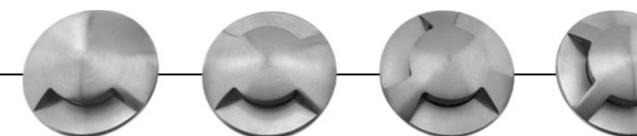
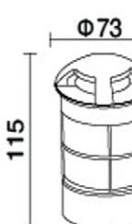
COOL 1/2/3/4

SLIM



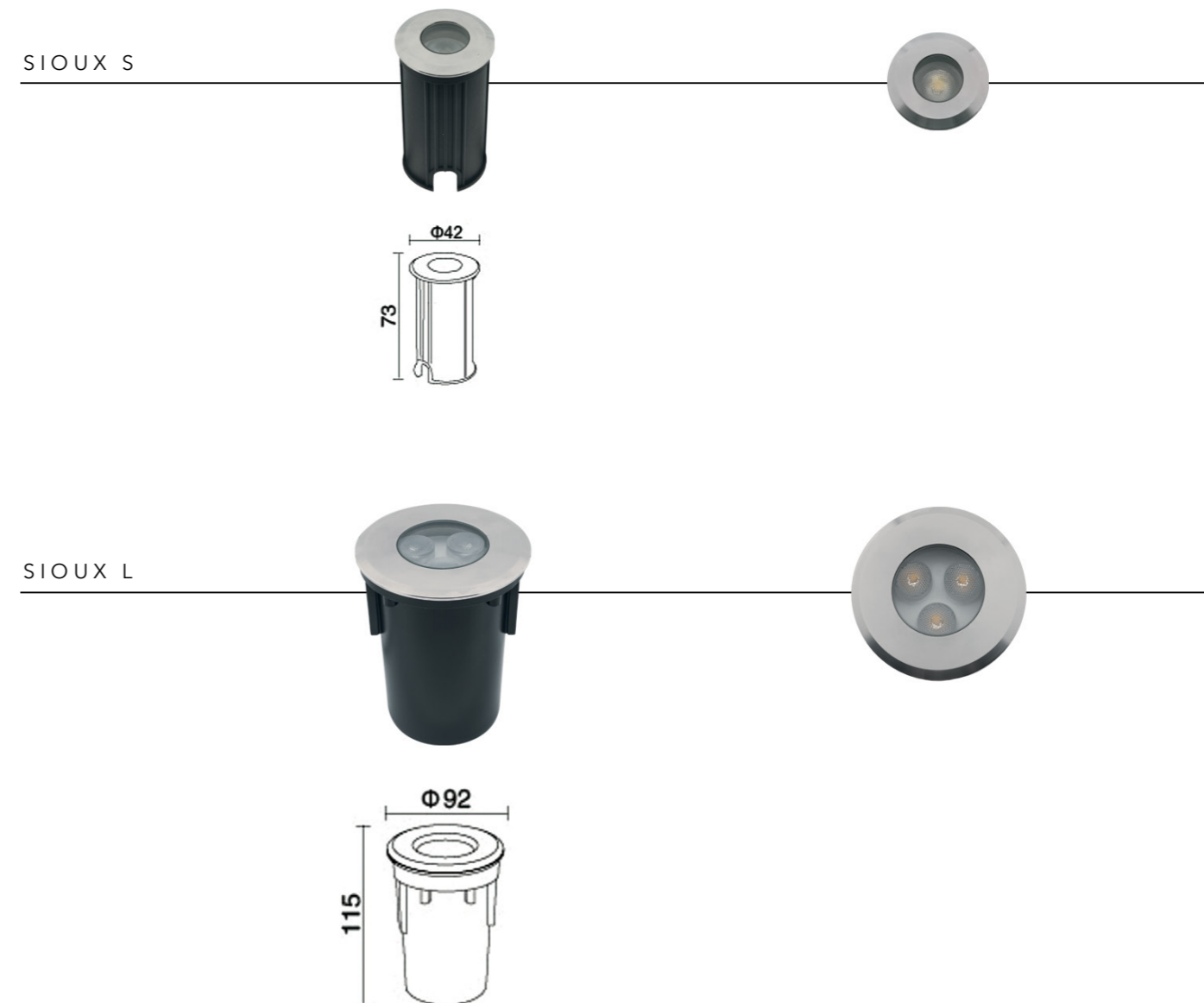
COOL 1/2/3/4

LARGE



	CODE				LIGHT SOURCE	CCT	>CRI	LED POWER	NOMINAL LUMEN	BEAM ANGLE BA	DRIVER OPTION	FINISH
COOL 1 SLIM	T-	OU	COS	1	BRIDGELUX	30	80	1W	...	EW	/	40
COOL 2 SLIM				2								
COOL 3 SLIM				3								
COOL 4 SLIM				4								

	CODE				LIGHT SOURCE	CCT	>CRI	LED POWER	NOMINAL LUMEN	BEAM ANGLE BA	DRIVER OPTION	FINISH
COOL 1 LARGE	T-	OU	COL	1	BRIDGELUX	30	80	3W	...	EW	/	40
COOL 2 LARGE				2								
COOL 3 LARGE				3								
COOL 4 LARGE				4								



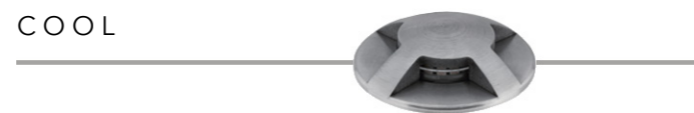
Body

Round ground recessed uplight in stainless steel with tempered glass, inclusive of waterproof durable silicone gasket and thermoplastic recessed box for concrete easy installation.

“Sioux” is ideal for outdoor purpose such parks, drive-ways and perfect to highlight achitectural details such as columns and feature walls both indoor and outdoor.

Ralated products

COOL



	CODE				LIGHT SOURCE	CCT	>CRI	LED POWER	NOMINAL LUMEN	BEAM ANGLE BA°	DRIVER OPTION	FINISH
SIOUX S	T-	OU	SI	S	U Z	30 40	80	1W	...	/	DO	STAINLESS STEEL
SIOUX L				L				3W				



Degree of Ingress Protection



1st Number	Protection Against Dust and Solid Objects	2nd Number	Protection Against Moisture and Liquids
0	No-Protection	0	No-Protection
1	Protection against solid objects >50 mm	1	Protection against dripping water
2	Protection against solid objects >12 mm	2	Protection against dripping water tilted > 15 deg
3	Protection against solid objects >2.5 mm	3	Protection against spraying water > 30 deg
4	Protection against solid objects >1 mm	4	Protection against spraying water
5	Dust - protected	5	Protection against water jet
6	Dust - tight	6	Protection against waves
		7	Protection against the effects of immersion
		8	Protection against submersion

CCT-LED Colour temperature

- 27** Warm White 2700K
- 30** Warm White 3000K
- 40** Neutral White 4000K
- 50** Cool White 5000K

LED CRI

- 80** CRI > 80
- 90** CRI > 90
- 95** CRI > 95

Light Source

- A** Cree
- E** Citizen
- I** Philips
- O** Luminous
- U** Bridgelux
- Y** Osram
- Z** Epistar

Driver Options

- D0** No dimming
- DA** Dali Dim
- DP** Phase
- D1** 0-10 Dim

Body colors

- 10** White
- 20** Black
- 30** Gray
- 40** Out door Black
- 50** Out door Gray
- SS** Stainless



The CE mark signifies that a product conforms with the relevant ECC directives requirements. The CE marking is compulsory to indicate LVD and EMC conformity.

The CE mark is also a self certification that the manufacturer claims that the product is safe, tested in Europe and certified by an independent laboratory that is registered and audited by an approved European testing authority.

lighting is an essential tool of narration.

www.t-luce.com

