



**LED STREET LIGHTS**

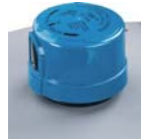
**KAPA** SERIES  
LED Street Lights **01**



➤ Deep Grey



➤ Light Grey



**Photocell available**

Lamp will Auto turn on and off according to lux difference.

**LED power supply**

**+ NON-DIMMABLE**

High-end MeanWell HLG Series LED driver, optimal stability, performance and lifespan.

**+ DIMMABLE**

High-end programmable Inventronics LED driver, integrate dimming function and 6KV /10KV surge protection. Provide excellent performance and lifespan.

**High-efficacy LED light source**



Philips Lumileds 3030 2D  
Greater than 150lm/W high efficacy, illumination grade LED light source.

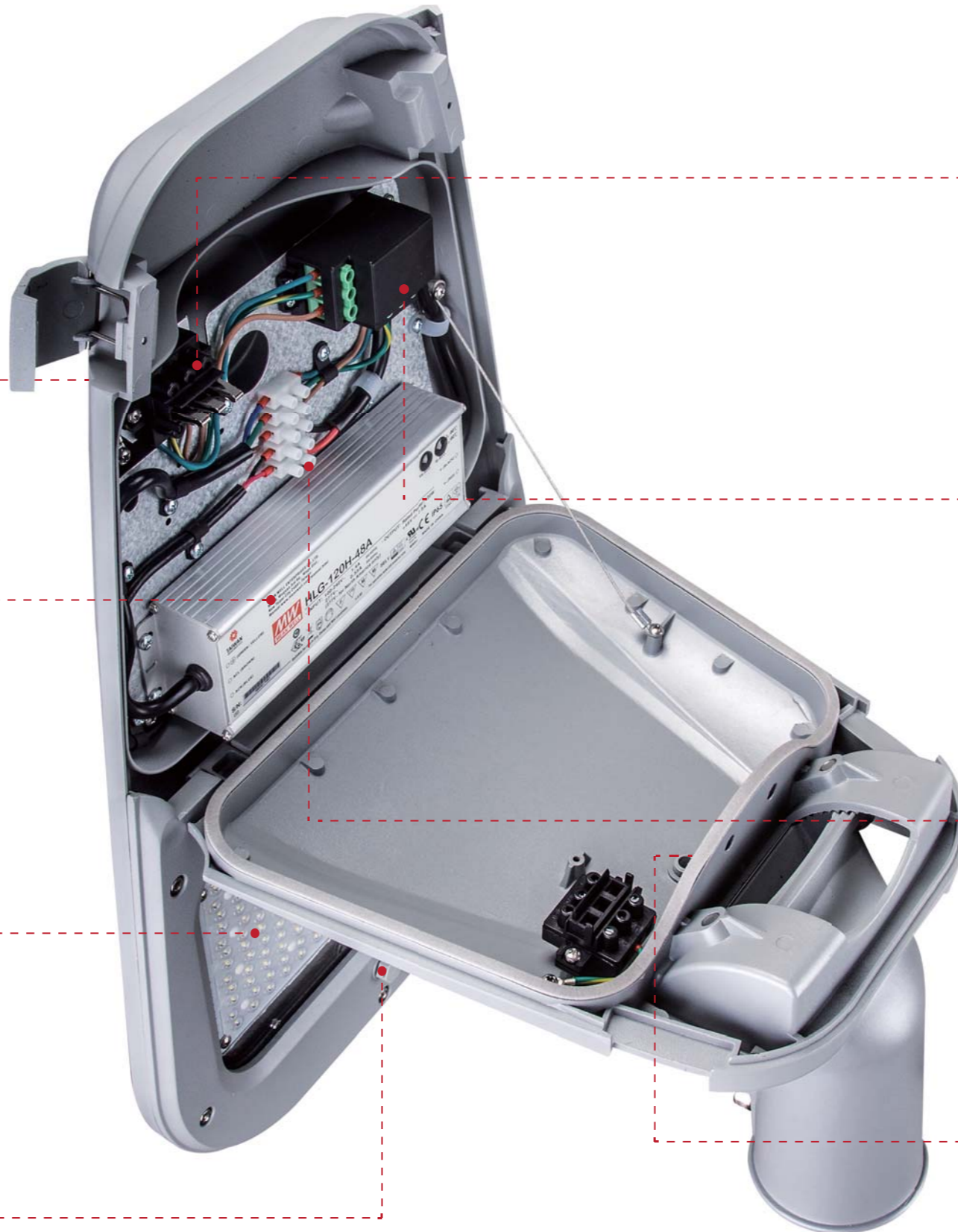


Philips Lumileds 5050  
Greater than 185lm/W high efficacy, illumination grade LED light source.



**Imported breather**

Lamp breather ensures air balance inside and outside of the lamp, which improves lamp service life.



**Power turn off protector**

When the lamp maintenance, Open lamp flash, Internal power lamp, Protect the safety of personnel.



**Surge protection device(10KV)**

To provide more reliable guarantee for LED drive power, extend the life of the product.



**Connect base**

Disassemble easily which reduces maintenance costs.



**Level bubble**

Easy for the installer to adjust the position of the lamp.

### Electrical & Photometric

#### ★ 3030 Version

Series	Model	LED Qty/ Current	Power	Luminaire efficacy (+/- 5%)	Lumen Output (+/- 5%)	Input Voltage	LED Brand	Driver Brand	Light Distributions	CCT (K)	Surge Protection Device	Lifetime (h)
KAPA-S	TL-LD25KAPA-S	48units/ 83mA	25W	125 lm /w	3125 lm	100-240V /277V AC 50 /60Hz	Philips Lumileds 3030 2D	MeanWell Inventronics	TypeI, Medium TypeII, Medium TypeIII, Medium TYPEII, BLS	3000* 4000 5000 5700	10KV	>100,000 (L70)
	TL-LD35KAPA-S	72units/ 78mA	35W	125 lm /w	4375 lm							
	TL-LD55KAPA-S	96units/ 88mA	55W	125 lm /w	6875 lm							
KAPA-M	TL-LD60KAPA-M	96units/ 93mA	60W	130 lm /w	7800 lm							
	TL-LD90KAPA-M	144units/ 93mA	90W	130 lm /w	11700 lm							
	TL-LD120KAPA-M	192units/ 93mA	120W	130 lm /w	15600 lm							
KAPA-L	TL-LD120KAPA-L	192units/ 93mA	120W	130 lm /w	15600 lm							
	TL-LD150KAPA-L	240units/ 93mA	150W	130 lm /w	19500 lm							
	TL-LD180KAPA-L	288units/ 93mA	180W	130 lm /w	23400 lm							
	TL-LD200KAPA-L	336units/ 93mA	200W	130 lm /w	26000 lm							

\*Luminous Efficacy of 3000K is 5% lower than other CCTs.

#### ★ 5050 Version

Series	Model	LED Qty/ Current	Power	Luminaire efficacy (+/- 5%)	Lumen Output (+/- 5%)	Input Voltage	LED Brand	Driver Brand	Light Distributions	CCT (K)	Surge Protection Device	Lifetime (h)
KAPA-S	TL-LD25KAPA-S	24units/ 41mA	25W	145 lm /w	3625 lm	100-240V /277V AC 50 /60Hz	Philips Lumileds 5050	MeanWell Inventronics	TypeII, Medium TypeIII, Medium	3000* 4000 5000 5700	10KV	>100,000 (L70)
	TL-LD35KAPA-S	36units/ 40mA	35W	145 lm /w	5075 lm							
	TL-LD55KAPA-S	48units/ 45mA	55W	145 lm /w	7975 lm							
KAPA-M	TL-LD60KAPA-M	48units/ 50mA	60W	150 lm /w	9000 lm							
	TL-LD90KAPA-M	72units/ 50mA	90W	150 lm /w	13500 lm							
	TL-LD120KAPA-M	96units/ 50mA	120W	150 lm /w	18000 lm							
KAPA-L	TL-LD120KAPA-L	96units/ 50mA	120W	150 lm /w	18000 lm							
	TL-LD150KAPA-L	120units/ 50mA	150W	150 lm /w	22500 lm							
	TL-LD180KAPA-L	144units/ 50mA	180W	150 lm /w	27000 lm							
	TL-LD200KAPA-L	168units/ 50mA	200W	150 lm /w	30000 lm							

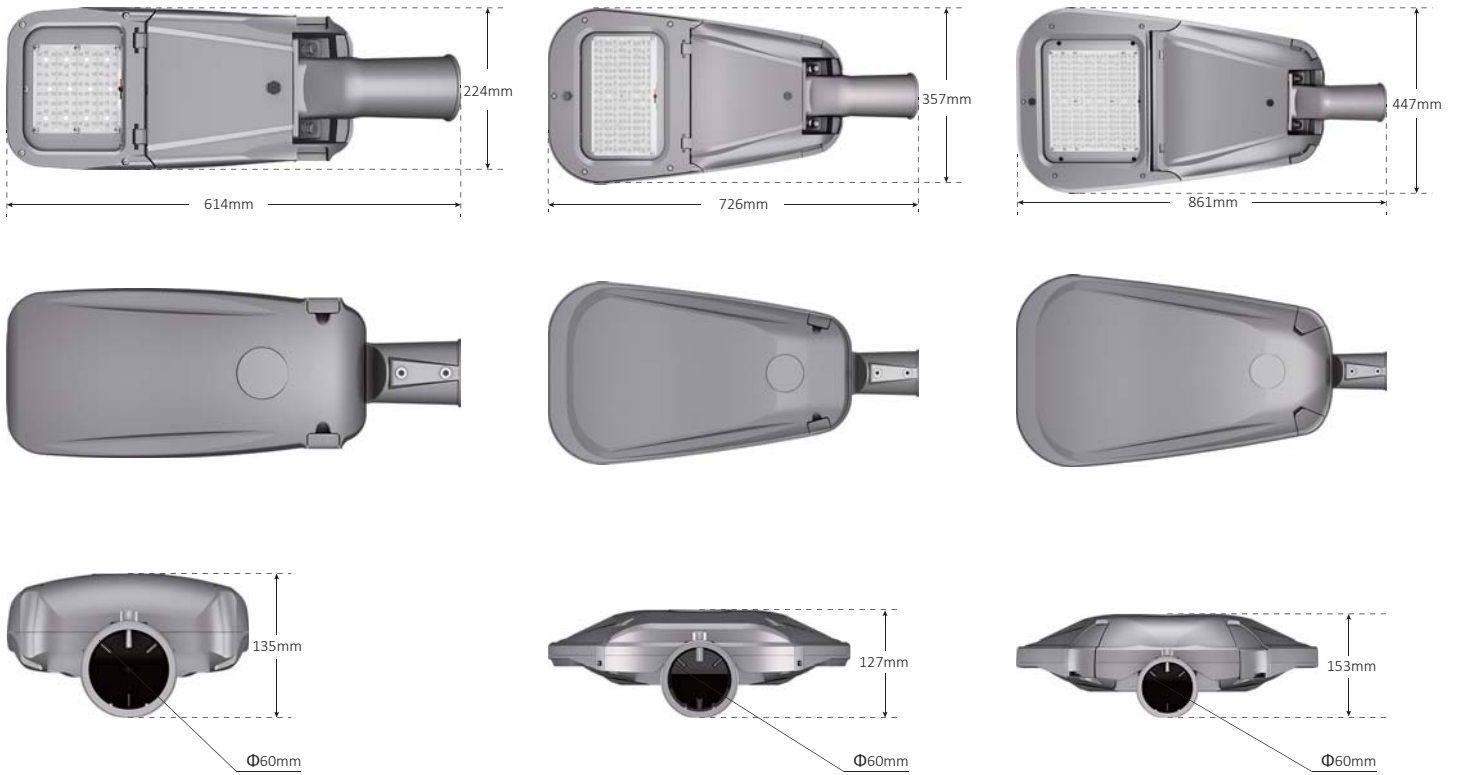
\*Luminous Efficacy of 3000K is 5% lower than other CCTs.

### Certification

Manufacturer
ISO9001, ISO14001
KAPA Series [ TL-LD25KAPA-S, TL-LD35KAPA-S, TL-LD55KAPA-S, TL-LD60KAPA-M, TL-LD90KAPA-M, TL-LD120KAPA-M, TL-LD120KAPA-L, TL-LD150KAPA-L, TL-LD180KAPA-L, TL-LD200KAPA-L
CE, ROHS, CB, FCC, LM79, LM80, ENEC

### Design

#### ★ External Design

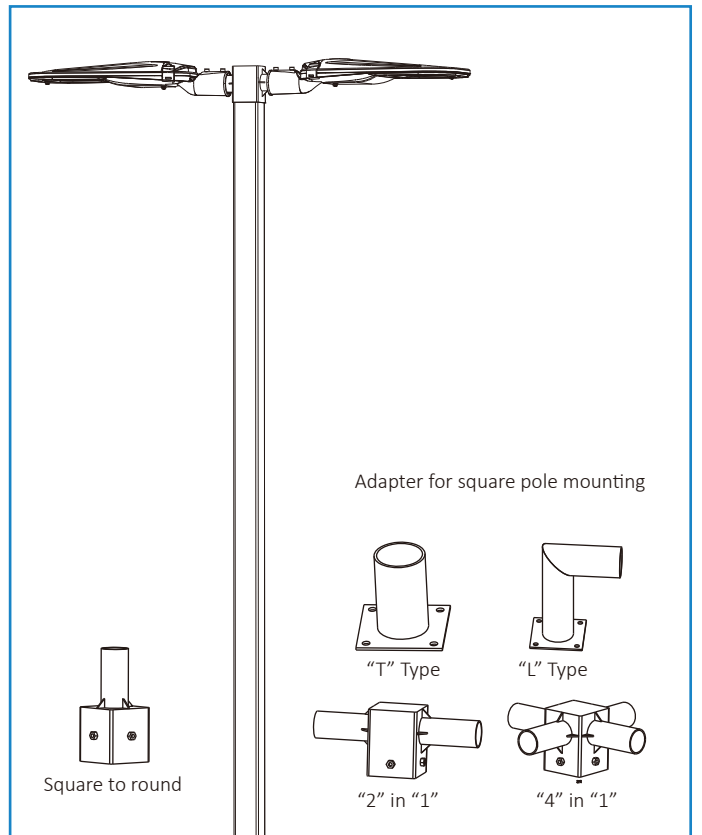
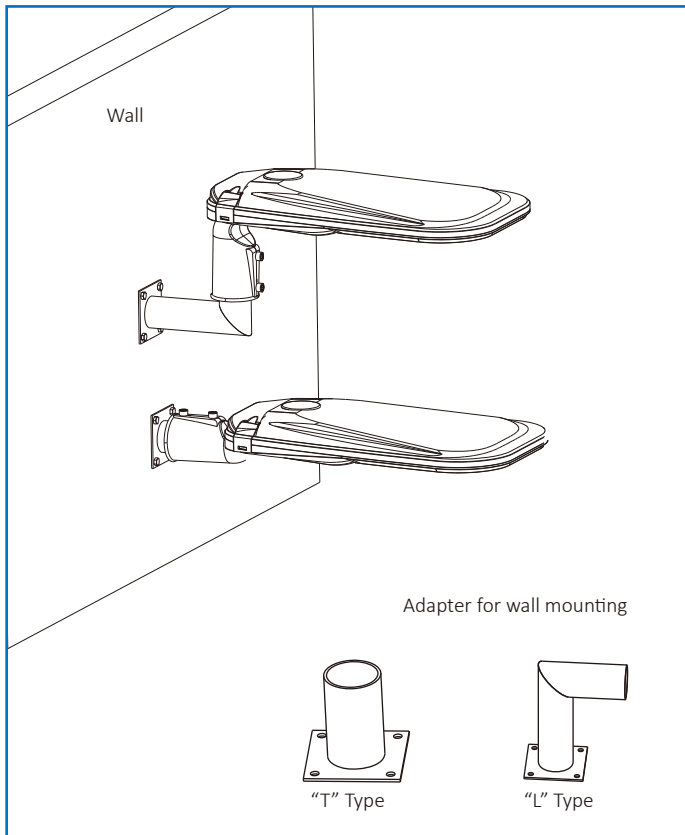
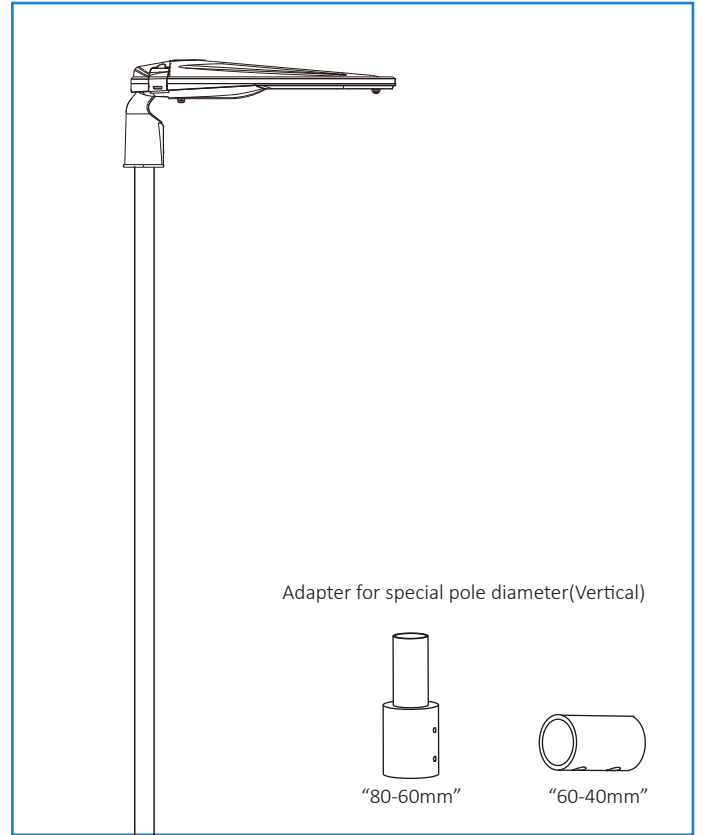
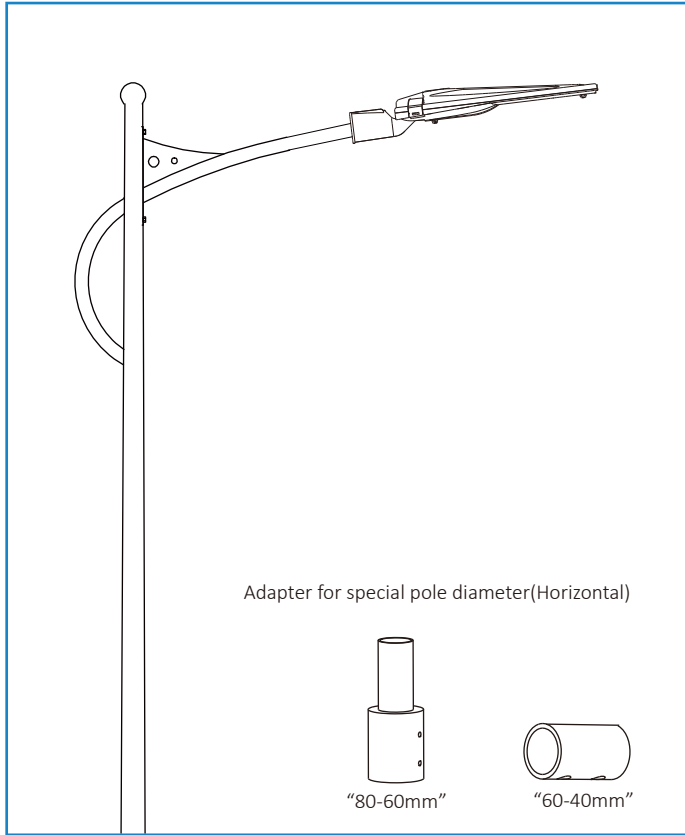


### Working Environment & Packing

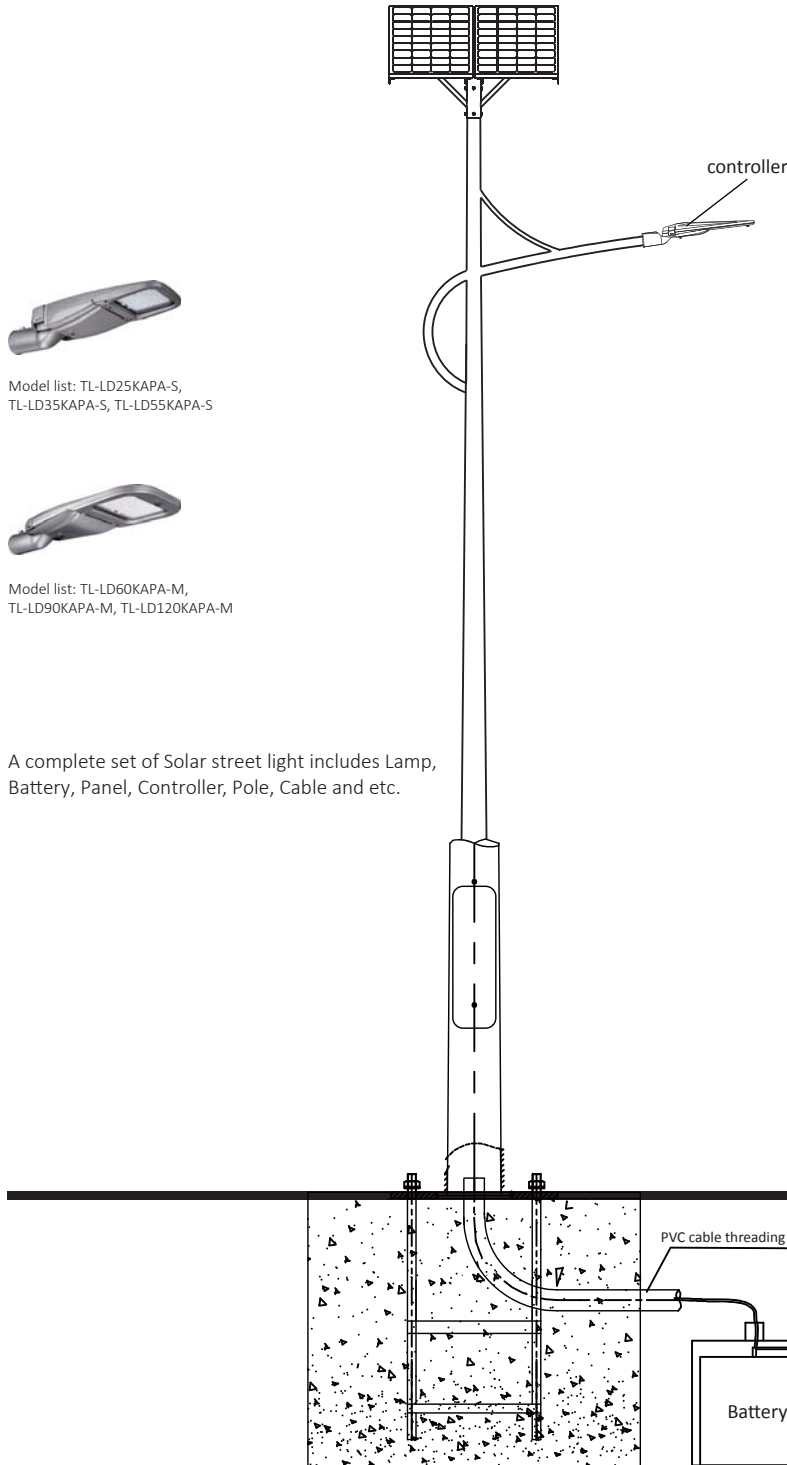
Model	Working Environment	Storage Temperature	Rating	CRI	Power Factor	Power Efficiency	Material	Pole Diameter (mm)	Product Dimensions (mm)	Carton Size (mm)	N.W (kg)	G.W (kg)
TL-LD25KAPA-S	-40 °C ~ +50 °C 10% ~ 90%RH	-40 °C ~ +50 °C	Class I IP66 IK08	>70	>0.95	>90%	Housing: Die-cast aluminum Lens: Tempered glass and PC	60	614*224*135	680*310*170	5.8	7.1
TL-LD35KAPA-S									614*224*135	680*310*170	5.9	7.1
TL-LD55KAPA-S									614*224*135	680*310*170	6.0	7.1
TL-LD60KAPA-M									726*357*127	790*420*165	7.8	9.0
TL-LD90KAPA-M									726*357*127	790*420*165	8.1	9.0
TL-LD120KAPA-M									726*357*127	790*420*165	8.2	9.0
TL-LD120KAPA-L									861*447*153	915*495*225	12.0	14.5
TL-LD150KAPA-L									861*447*153	915*495*225	12.0	14.5
TL-LD180KAPA-L									861*447*153	915*495*225	12.1	14.6
TL-LD200KAPA-L									861*447*153	915*495*225	12.2	14.7

Note: Above data of weight are all typical values.

Various Installation Methods With Different Adapters



### Solar Street Light System



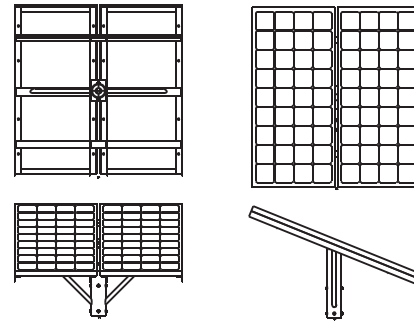
Model list: TL-LD25KAPA-S,  
TL-LD35KAPA-S, TL-LD55KAPA-S



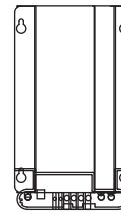
Model list: TL-LD60KAPA-M,  
TL-LD90KAPA-M, TL-LD120KAPA-M

A complete set of Solar street light includes Lamp, Battery, Panel, Controller, Pole, Cable and etc.

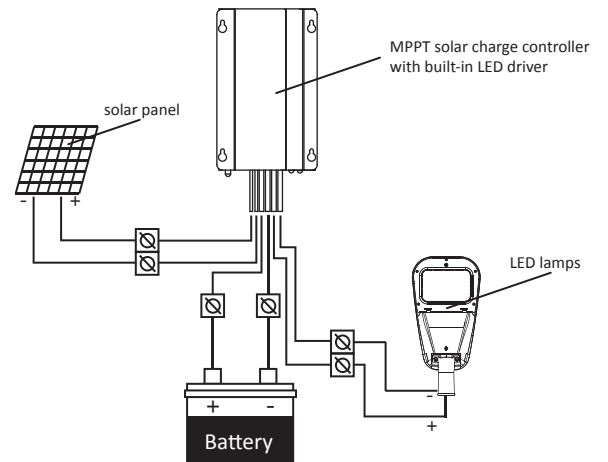
#### SOLAR PANEL



#### CONTROLLER



#### PARTS CONNECTION DIAGRAM



GROUND

#### Customized service

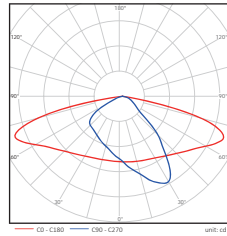
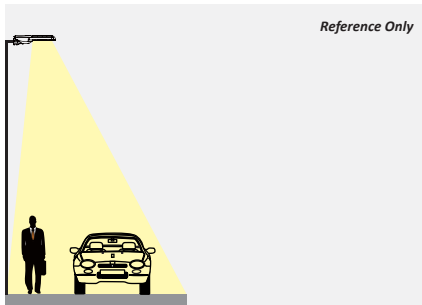
Due to each city has its own sunshine condition, and customers have different working hours and rainy days on request.

If you want to know more exact configuration, please contact us for below questions:

1. What is the geographical location your solar LED street lighting system will be installed?
2. How many hours per night the LED street light works?
3. How many days to backup in case of continuous rainy days?
4. Do you need dimming the LED street light (during the off-peak hours)?
5. Do you have any other requirements?

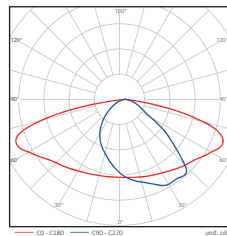
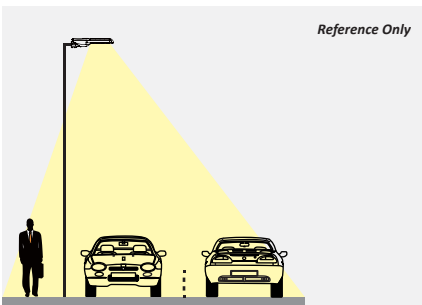
### Multiple Light Distribution Options

Street light should fit with a wide range of applications, such as highway, express way, roadway, avenue, walking path or parking lot lightings. Considering this, T-Luce provides different light distribution lens for the K Series street light to achieve best lighting effect in different applications. T-Luce follows the North American IESNA standard in providing the optional lens width, Type I, Type II and Type III. Type I is suitable for walking path with 1 lane, Type II is for 2 lanes and Type III is for even more wider road. T-Luce selects the most suitable lens for its customers according to the detailed parameters project by project.



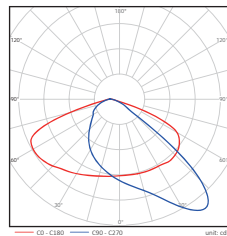
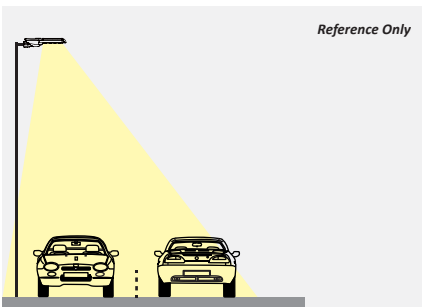
#### TYPE I

The Type I lens of KAPA series street light has beam angle of 50\*160 degrees. In the IESNA Standard, The Type I distribution is great for lighting walkways, paths and sidewalks. It is generally applicable to where the mounting height is approximately equal to the roadway width.



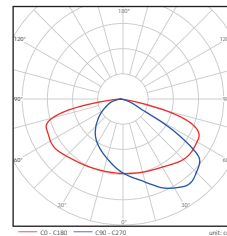
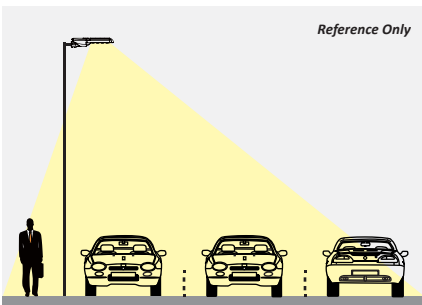
#### TYPE II

The Type II lens of KAPA series street light has beam angle of 65\*155 degrees. In the IESNA Standard, the Type II distribution is used for wide walkways, on ramps and entrance roadways, as well as other long, narrow lighting. It is generally applicable to where the width of the roadway does not exceed 1.75 times the designed mounting height.



#### TYPE II BLS

The Type II BLS is a new light distribution developed based on Type II. BLS means back light shield. The light on the back of pole be reduced and the light in front of the pole be increased accordingly. It is generally applicable to where no need or need less light on the back of pole, such as residential area, highway, bridge and etc.



#### TYPE III

The Type III lens of KAPA series street light has beam angle of 80\*160 degrees. In the IESNA Standard, the Type III distribution is meant for roadway lighting, general parking areas and other areas where a larger area of lighting is required. This distribution is intended for luminaires mounted at or near the side of medium width roadways or areas, where the width of the roadway or area does not exceed 2.75 times the mounting height.

**Imported and Distributed by:**



[info@t-luce.com](mailto:info@t-luce.com)

[www.t-luce.com](http://www.t-luce.com)

T-Luce Italia srl

Viale Giacomo Matteotti 15 - Firenze 50121