

T.



LIGHT  
AS AN EXPRESSION  
OF LIFE

# INDEX

6 - 7	.....TL-1132F / M / U / Z
8 - 12	.....TL-1135F / H / L / M / U / Z
13 - 15	.....TL-1136F / H / L / M / S / U / Z
16 - 18	.....TL-1137F / H / L / M / U / Z
19 - 21	.....TL-1139F / H / L / M / S / U / Z
22 - 24	.....TL-1150F / H / L / M / S / U / Z
25 - 27	.....TL-1140F / H / L / M / S / U / Z
28 - 29	.....TL-1145F / S / U
30 - 33	.....TL-1102F / G / X / M / S
34 - 39	.....TL-1103F / G / X / M / S
40 - 45	.....TL-1104F / G / X / M / S
46 - 52	.....TL-1105F / S / U
53 - 54	.....TL-1125F / S
55 - 56	.....TL-1126F / S
57 - 59	.....TL-1127F / C / S
60 - 65	.....TL-1272U / S
66 - 67	.....TL-1271U / S
68 - 69	.....TL-1278U / S
70 - 71	.....TL-1281U / G / S
72 - 73	.....TL-1258U / S
74 - 77	.....TL-1260U / F / G / X
78 - 79	.....TL-1262U
80 - 83	.....TL-1318 / U
84 - 87	.....TL-1319 / U
90 - 91	.....TL-1132T
92 - 93	.....TL-1135T
94 - 95	.....TL-1136T
96 - 99	.....TL-1137T
102	.....TL-3106
103	.....TL-3110
104	.....TL-3210
105	.....TL-3230
106	.....TL-3220
107	.....TL-5109
110 - 111	.....TL-5106
112	.....TL-5116
113	.....TL-5119
115	.....OFFICES.



FLOOD  
LIGHT  
SERIES

# Flood Light Series

TL-1132F



TL-1132M



TL-1132Z



TL-1132U

## Product Introduction

- 1、 Patent owned design, fashion and beautiful appearance, adopt isolated two bodies design could have the separate heat dissipation fully ensure the stability and long lifespan of LED light.
- 2、 With multiway rotate function of round support or "U" support available to meet the various occasions demands for outdoor projects.
- 3、 Light body adopts high pressure die-casting aluminum, surface with fluorine carbon spraying. Lampshade adopts high strength toughened glass, resist the impact and friction.
- 4、 Adopt American CREE original LED light source, high flus output, excellent consistency of light color; Constant current driver with PWM gray control installed inside, RGB gray level reaches to 65,536 degree equally, make the light result much beautiful.
- 5、 Powerful DMX512 interface adopts high reliable bus connect, all has the function of automatic addressing.

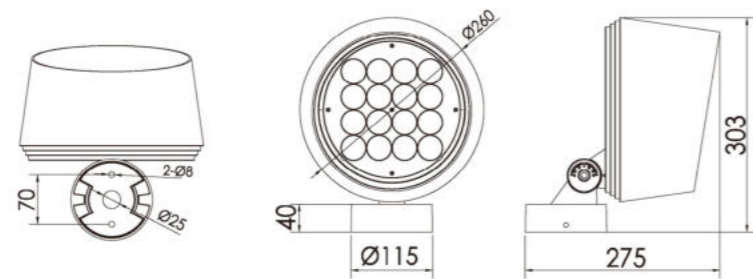
## Specification

Product Code	TL-1132FE-25	TL-1132FD-25	1132FF-24	TL-1132FC-72
Led Brand	CREE XP-L	CREE XP-G3	CREE RGBW 4 in1	CREE XP-E2
Led Quantity	25pcs	25pcs	24pcs	72pcs
Rared Power	120W	85W	150W/200W	150W
Input Voltage	AC100-305V	AC100-305V	DC36V / AC100-305V	
Frequency Range	50/60Hz	50/60Hz	50/60Hz	50/60Hz
Color	Single	Single	RGBW	RGB/RGBW
Beam Angle	2.6° 3.5° 12° 20° 30° 60° 10X70° 5X20		15° 20° 30° 15X60°	5° 8° 12.5° 30° 10X60°
Control Mode	CC/DALI/0-10V	CC/DALI/0-10V	DMX512/RDM	DMX512/RDM
Life	50000H	50000H	50000H	50000H
Protection Grade	IP66	IP66	IP66	IP66
Ambient Temperature	-25℃~50℃	-25℃~50℃	-25℃~50℃	-25℃~50℃
Ambient Humidity	10%~90%	10%~90%	10%~90%	10%~90%

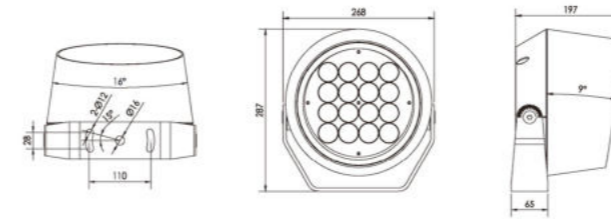


# Flood Light Series

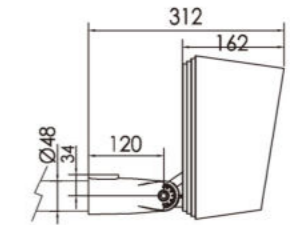
TL-1135F



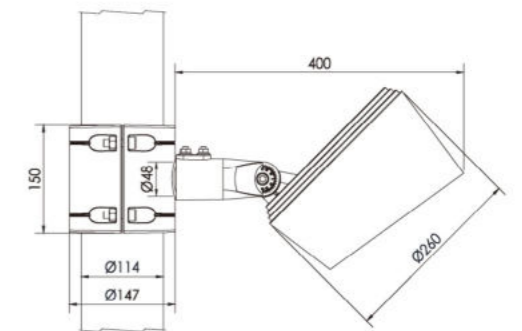
TL-1135U



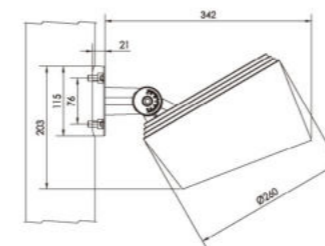
TL-1135M



TL-1135Z



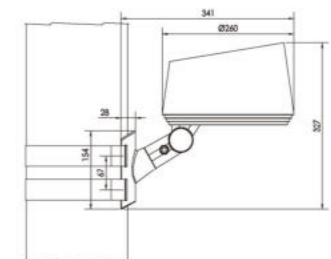
TL-1135L



AVL Dia of pole(67-325)mm T≥4



TL-1135H



AVL Dia of pole(168-268)mm

## Product Introduction

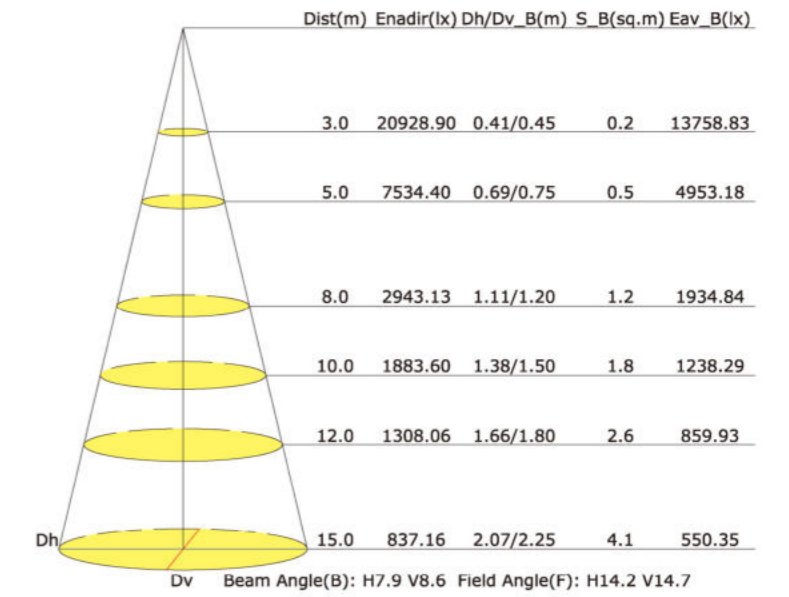
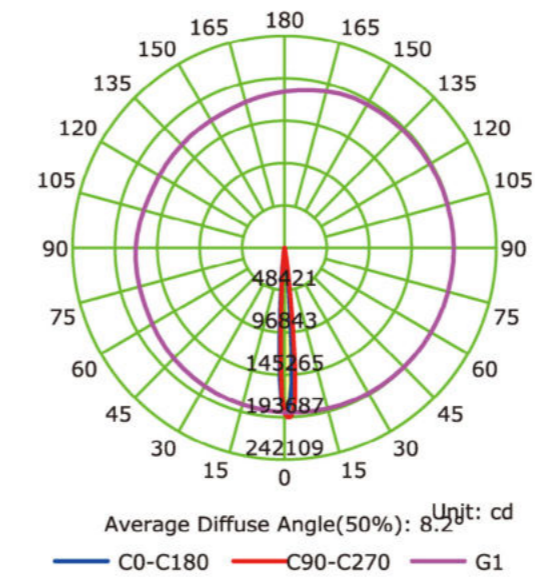
- 1、 Patent owned design, fashion and beautiful appearance, adopt isolated two bodies design, could have the separate heat dissipation fully ensure the stability and long lifespan of LED light.
- 2、 With multiway rotate function of round support or "U" support available to meet the various occasions demands for outdoor projects.
- 3、 Light body adopts high pressure die-casting aluminum, surface with fluorine carbon spraying. Lampshade adopts high strength toughened glass, resist the impact and friction.
- 4、 Adopt American CREE original LED light source, high flus output, excellent consistency of light color; Constant current driver with PWM gray control installed inside, RGB gray level reaches to 65,536 degree equally, make the light result much beautiful.
- 5、 Powerful DMX512 interface adopts high reliable bus connect, all has the function of automatic addressing.

## Specification

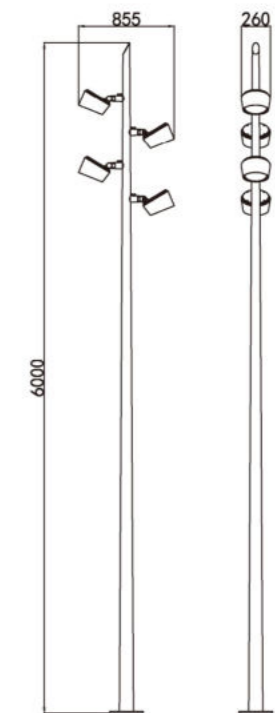
Product Code	TL-1135FE-16	TL-1135FD-16	TL-1135FF-16	TL-1135FC-48
Led Brand	CREE XP-L	CREE XP-G3	CREE RGBW 4 in1	CREE XP-E2
Led Quantity	16pcs	16pcs	16pcs	48pcs
Rared Power	75W	60W	100W	100W
Input Voltage	AC100-305V	AC100-305V	DC36V / AC100-305V	
Frequency Range	50/60Hz	50/60Hz	50/60Hz	50/60Hz
Color	Single	Single	RGBW	RGB/RGBW
Beam Angle	2.6° 3.5° 12° 20° 30° 60° 10X70° 5X20		15° 20° 30° 15X60°	5° 8° 12.5° 30° 15X60°
Control Mode	CC/DALI/0-10V	CC/DALI/0-10V	DMX512/RDM	DMX512/RDM
Life	50000H	50000H	50000H	50000H
Protection Grade	IP66	IP66	IP66	IP66
Ambient Temperature	-25℃~50℃	-25℃~50℃	-25℃~50℃	-25℃~50℃
Ambient Humidity	10%~90%	10%~90%	10%~90%	10%~90%

## Distribution Curve Flux (SBC Case)

TL-1135FE-16

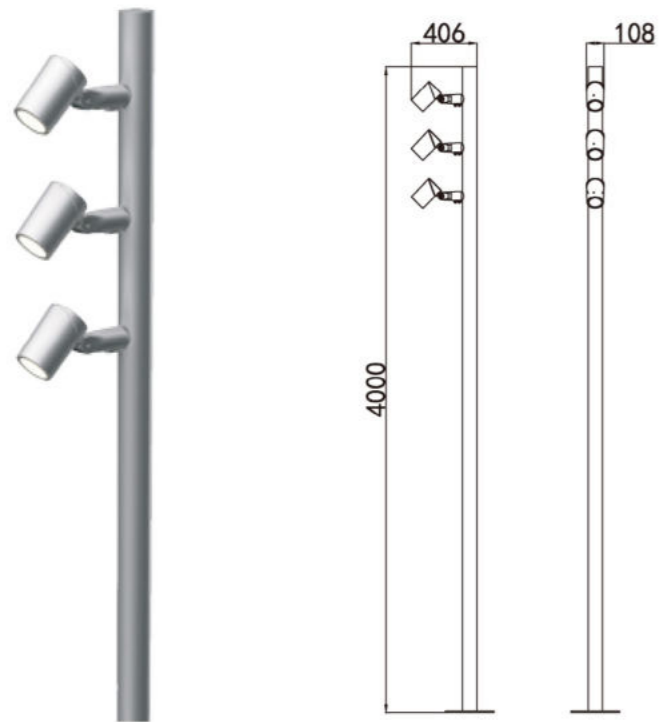


TL-1135M-26-06-04

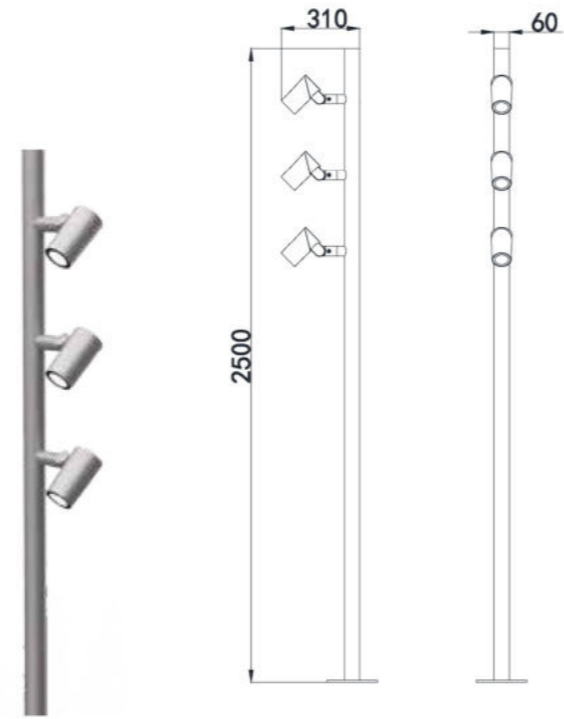


# Flood Light Series

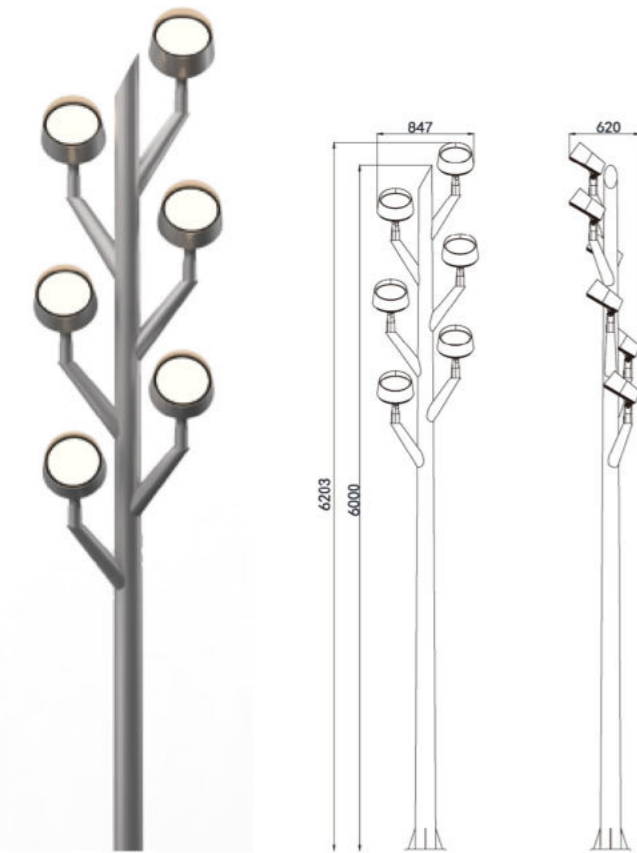
TL-1136F



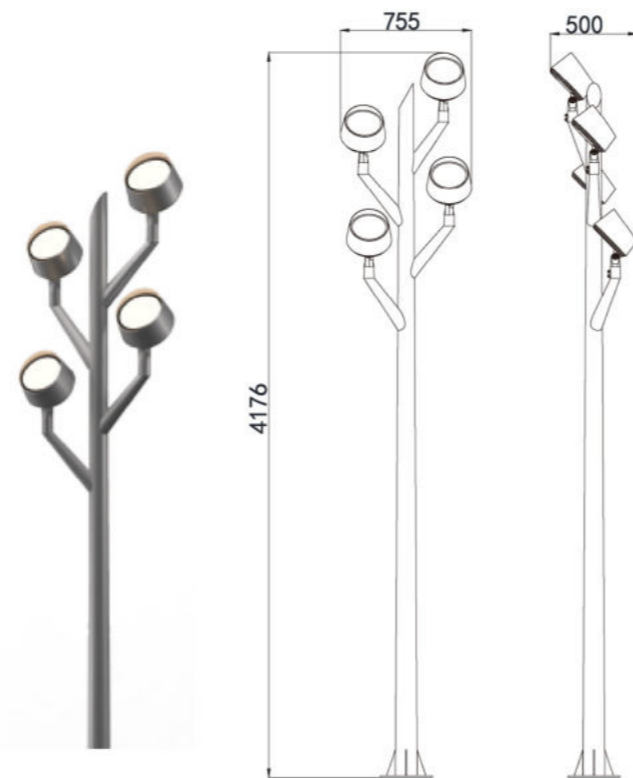
TL-1140M-26-04-03



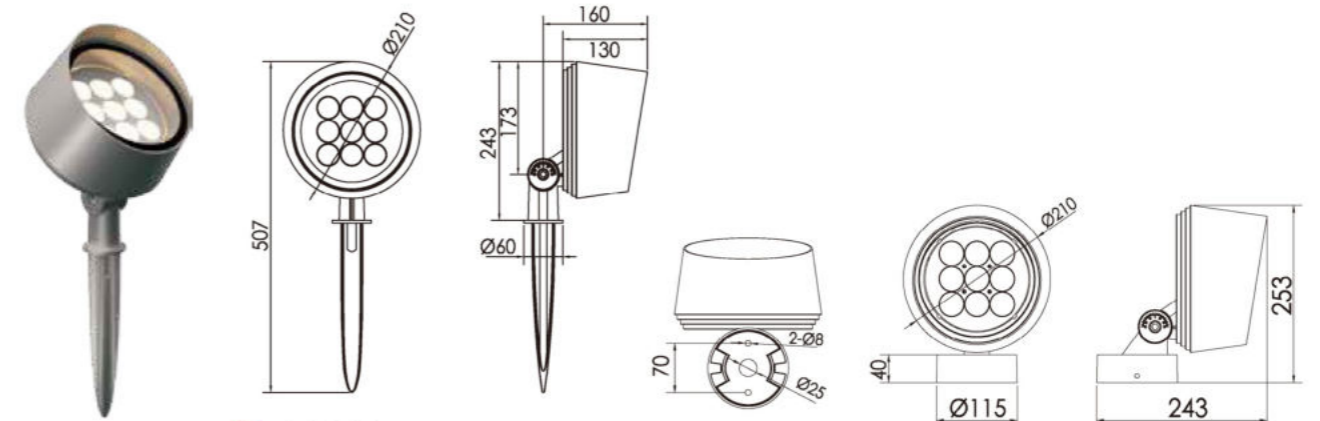
TL-1145M-26-02-03



TL-1132F-26-06-06



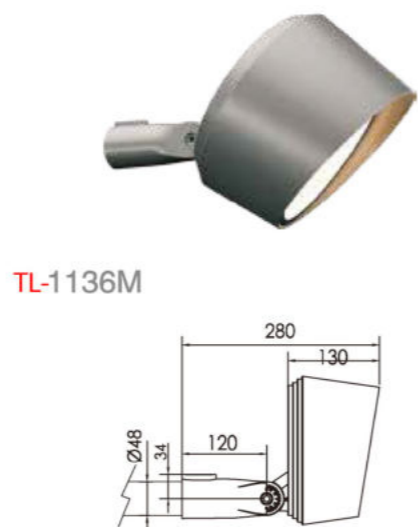
TL-1135F-26-04-04



TL-1136S



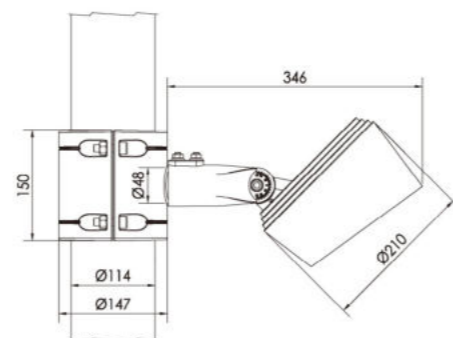
TL-1136U



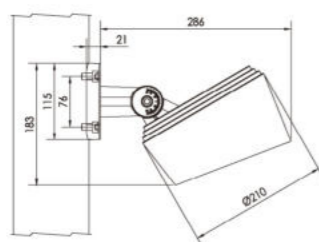
TL-1136M



TL-1136Z



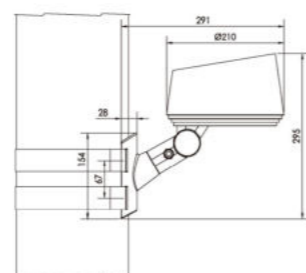
TL-1136L



AVL Dia of pole(67-325)mm T≥4



TL-1136H



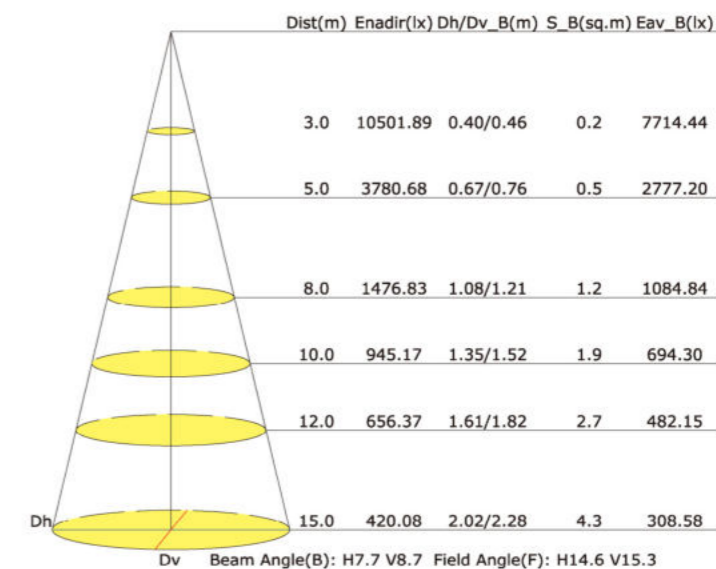
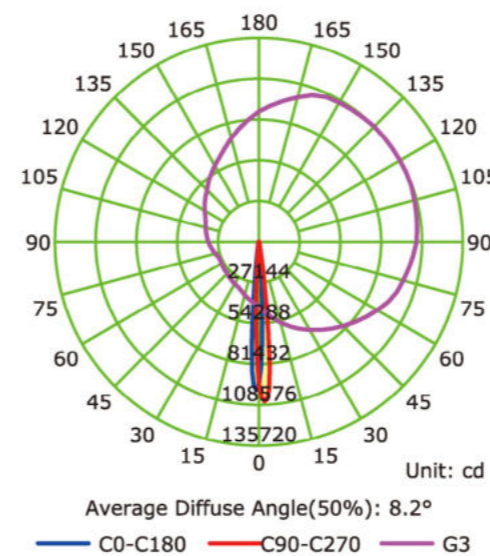
AVL Dia of pole(168-268)mm

Specification

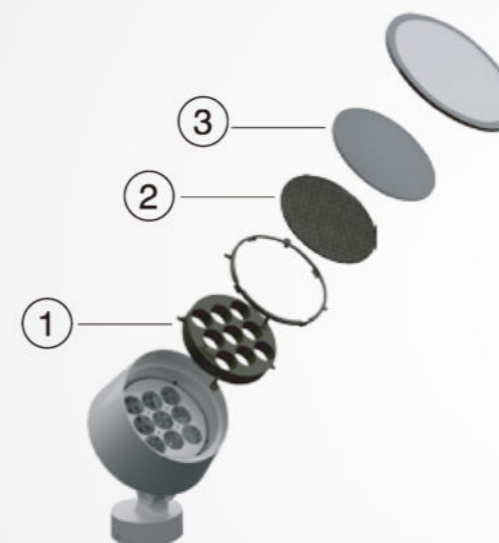
Product Code	TL-1136FE-9	TL-1136FD-9	TL-1136FF-9	TL-1136FC-27
Led Brand	CREE XP-L	CREE XP-G3	CREE RGBW 4 in1	CREE XP-E2
Led Quantity	9pcs	9pcs	9pcs	30pcs
Rared Power	45W	35W	60W	60W
Input Voltage	AC100-264V	AC100-264V	DC36V / AC100-305V	
Frequency Range	50/60Hz	50/60Hz	50/60Hz	50/60Hz
Color	Single	Single	RGBW	RGB
Beam Angle	2.6° 3.5° 12° 20° 30° 60° 10X70° 5X20°	15° 20° 30° 15X60°	5° 8° 12.5° 30° 15X60°	
Control Mode	CC/DALI/0-10V	CC/DALI/0-10V	DMX512/RDM	DMX512/RDM
Life	50000H	50000H	50000H	50000H
Protection Grade	IP66	IP66	IP66	IP66
Ambient Temperature	-25℃~50℃	-25℃~50℃	-25℃~50℃	-25℃~50℃
Ambient Humidity	10%~90%	10%~90%	10%~90%	10%~90%

Distribution Curve Flux (SBC Case)

TL-1136FE-9



TL-1132 / TL-1135 / TL-1136 / TL-1137 / TL-1139



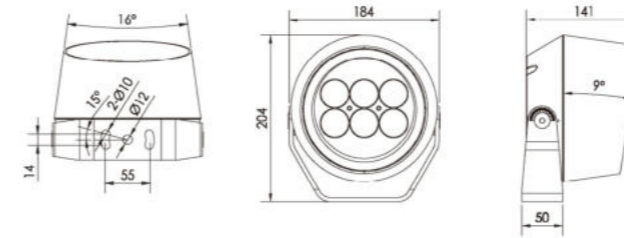
- control light accessories
1. Round-meshed grill
  2. Honeycomb grill
  3. Honeycomb glass

# Flood Light Series

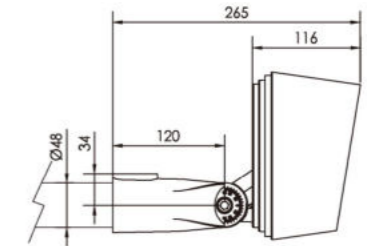
TL-1137F



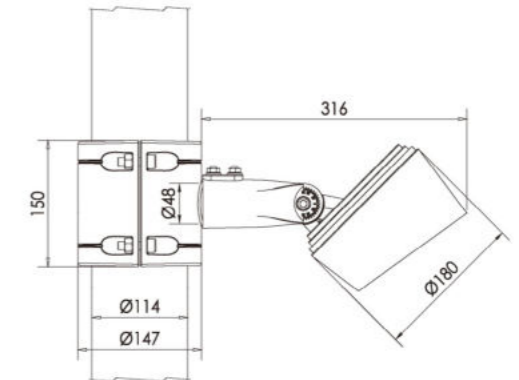
TL-1137U



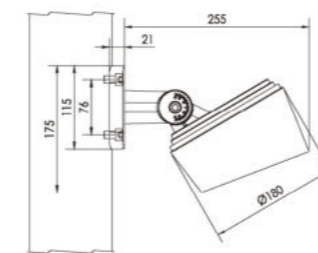
TL-1137M



TL-1137Z



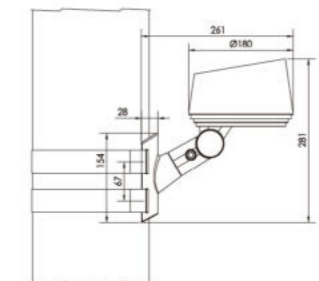
TL-1137L



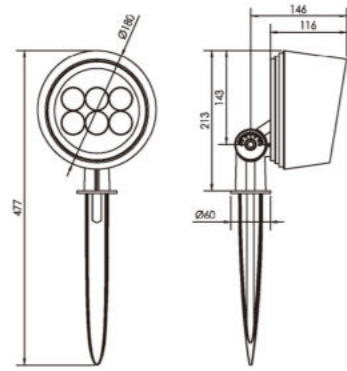
AVL Dia of pole(67-325)mm T ≥ 4



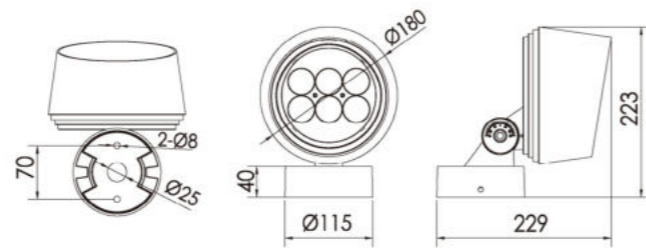
TL-1137H



AVL Dia of pole(168-268)mm



TL-1137S

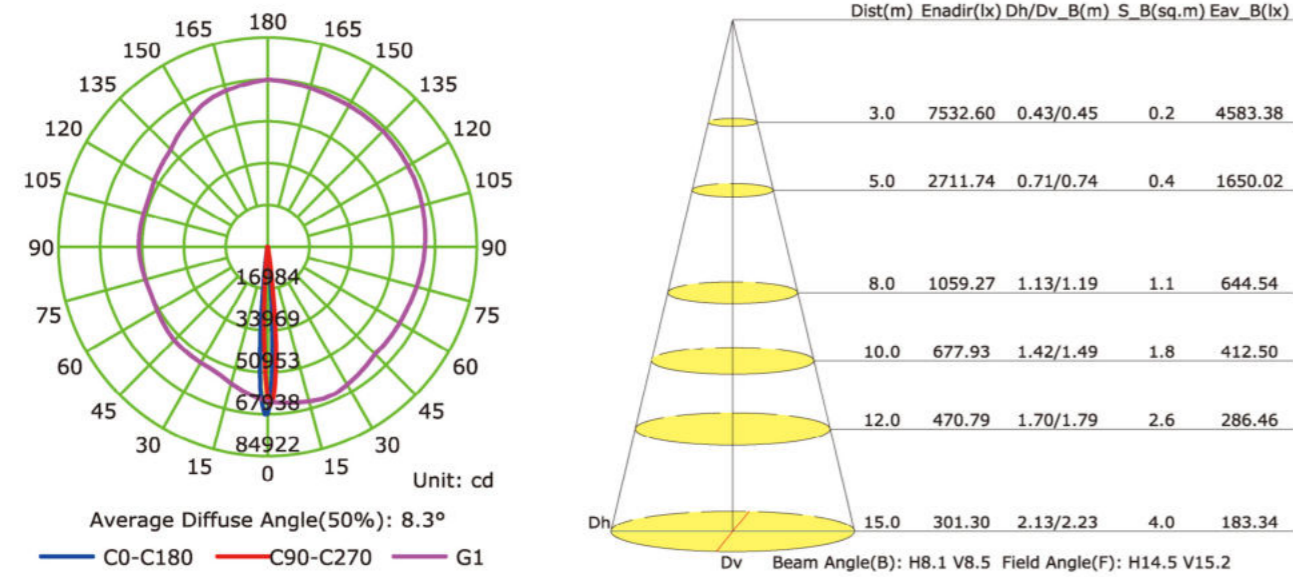


### Specification

Product Code	TL-1137FE-6	TL-1137FD-6	TL-1137FF-6	TL-1137FC-18
LED Brand	CREE XP-L	CREE XP-G3	CREE RGBW 4 in 1	CREE XP-E
LED Quantity	6pcs	6pcs	6pcs	18pcs
Rated Power	30W	22W	30W	36W
Input Voltage	AC100-264V	AC100-DC264V	DC24V/AC100-264V	DC24V/AC100-264V
Frequency Range	50/60Hz	50/60Hz	50/60Hz	50/60Hz
Color	Single	Single	RGBW	RGB
Beam Angle	2.6° 3.5° 12° 20° 30° 60° 10X70° 5X20°		15° 20° 30° 15X60°	5° 8° 12.5° 30° 15X60°
Control Mode	CC/DALI/0-10V	CC/DALI/0-10V	DMX512	DMX512
Life	50000H	50000H	50000H	50000H
Protection Grade	IP66	IP66	IP66	IP66
Ambient Temperature	-25°C~50°C	-25°C~50°C	-25°C~50°C	-25°C~50°C
Ambient Humidity	10%~90%	10%~90%	10%~90%	10%~90%

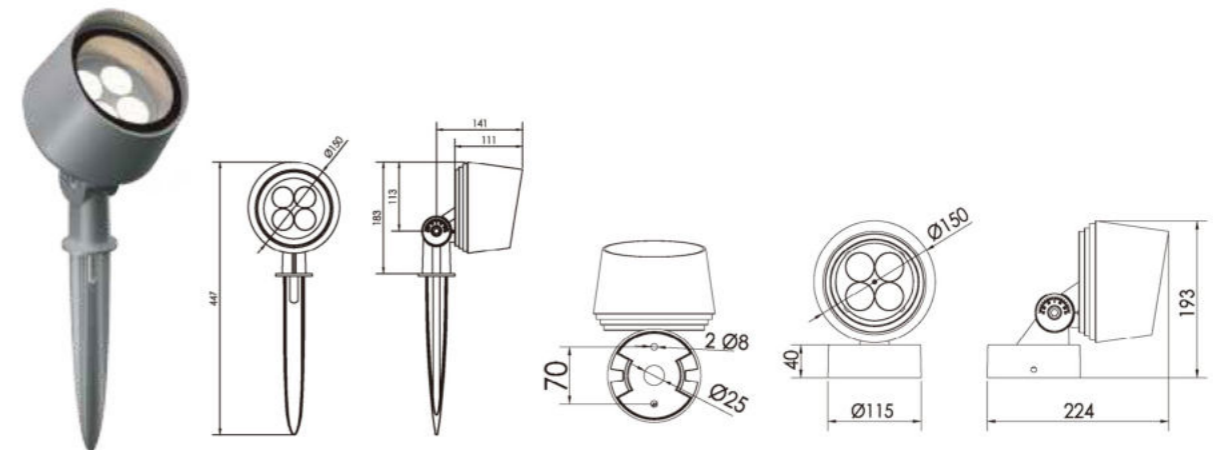
### Distribution Curve Flux (SBC Case)

TL-1137FE-6



### Flood Light Series

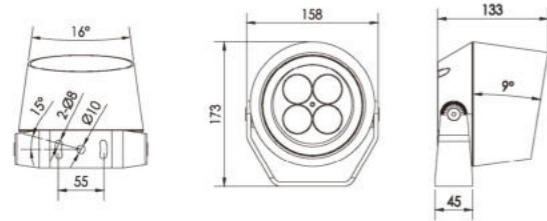
TL-1139F



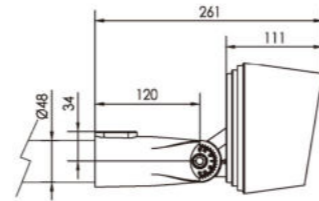
TL-1139S



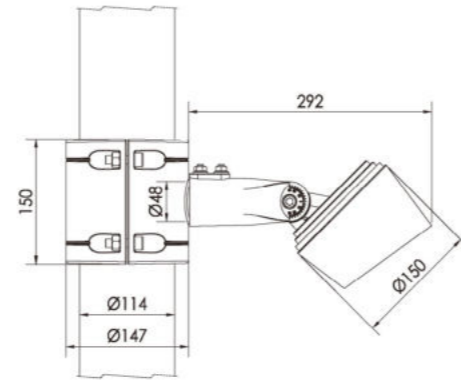
TL-1139U



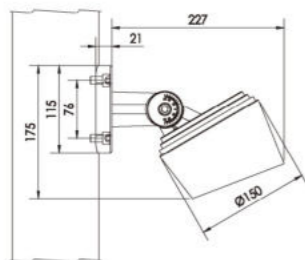
TL-1139M



TL-1139Z



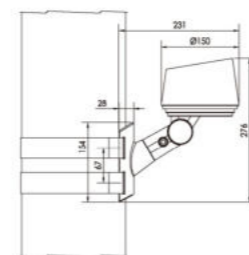
TL-1139L



AVL Dia of pole(67-325)mm T≥4



TL-1139H



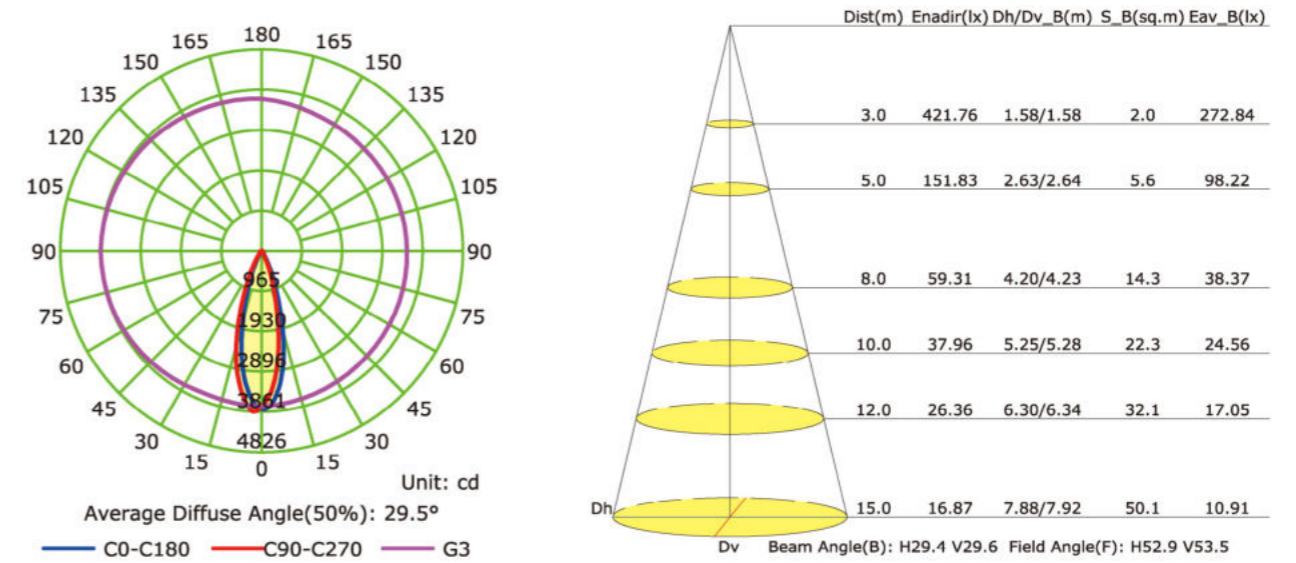
AVL Dia of pole(168-268)mm

Specification

Product Code	TL-1139FE-4	TL-1139FD-4	TL-1139FF-4
LED Brand	CREE XP-L	CREE XP-G3	CREE RGBW 4 in 1
LED Quantity	4pcs	4pcs	4pcs
Rated Power	20W	15W	20W
Input Voltage	AC100-264V	AC100-264V	DC24V
Frequency Range	50/60Hz	50/60Hz	50/60Hz
Color	Single	Single	RGBW
Beam Angle	2.6° 3.5° 12° 20° 30° 60° 10X70° 5X20°		15° 20° 30° 15X60°
Control Mode	CC/DALI/0-10V	CC/DALI/0-10V	DMX512
Life	50000H	50000H	50000H
Protection Grade	IP66	IP66	IP66
Ambient Temperature	- 25°C ~ 50°C	- 25°C ~ 50°C	- 25°C ~ 50°C
Ambient Humidity	10% ~ 90%°	10% ~ 90%°	10% ~ 90%

Distribution Curve Flux (SBC Case)

TL-1139FD-4

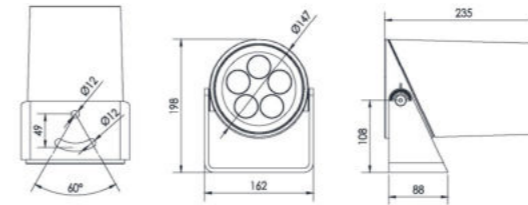


# Flood Light Series

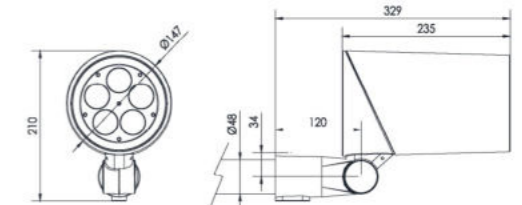
TL-1150F



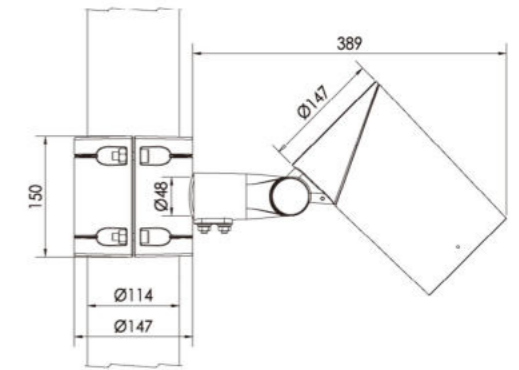
TL-1150U



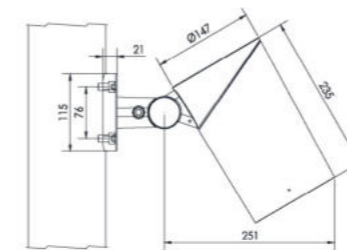
TL-1150M



TL-1150Z



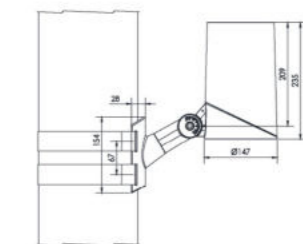
TL-1150L



AVL Dia of pole(67-325)mm T≥4



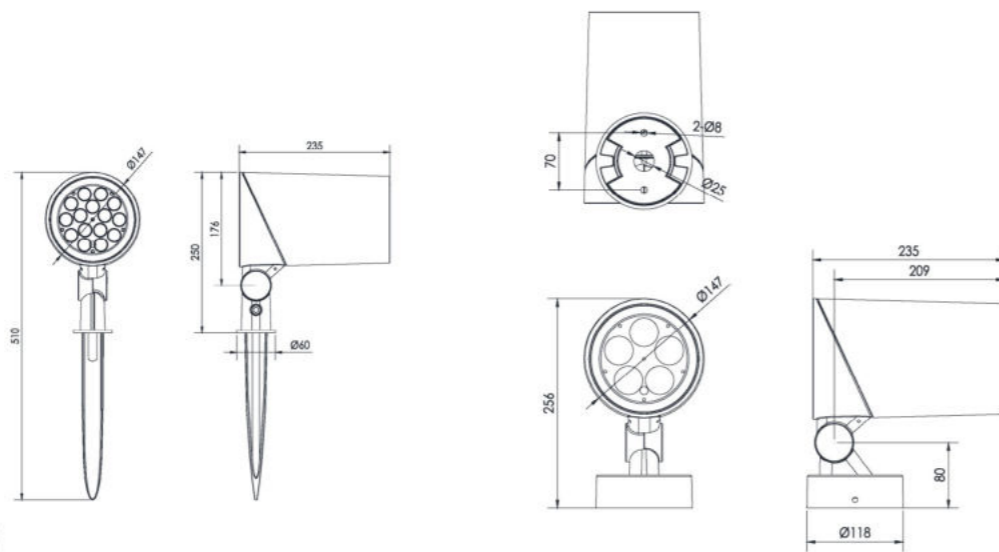
TL-1150H



AVL Dia of pole(168-268)mm



TL-1150S



## Product Introduction

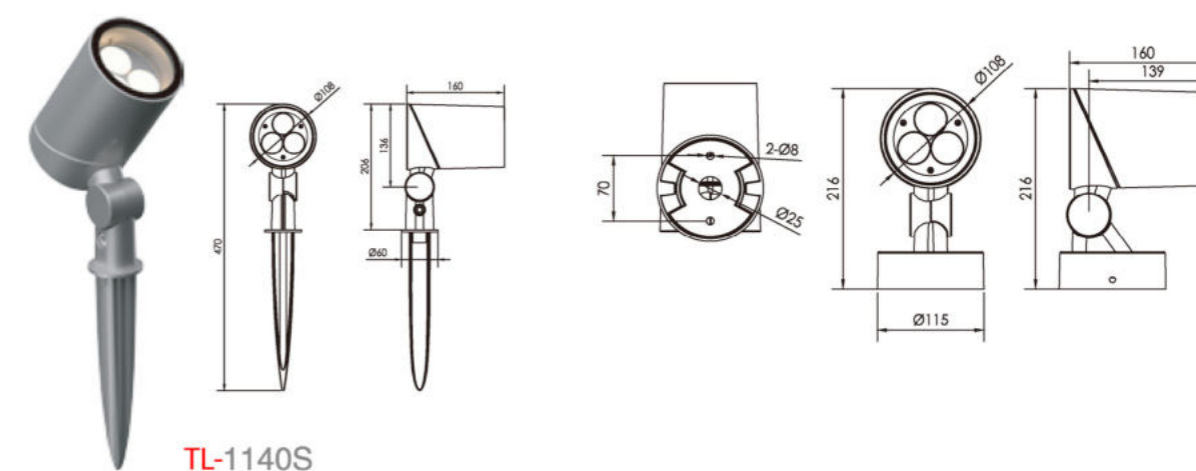
- 1、 Patent owned design, fashion and beautiful appearance, adopt isolated two bodies design could have the separate heat dissipation fully ensure the stability and long lifespan of LED light.
- 2、 With multiway rotate function of round support or "U" support available to meet the various occasions demands for outdoor projects.
- 3、 Light body adopts high pressure die-casting aluminum, surface with fluorine carbon spraying. Lampshade adopts high strength toughened glass, resist the impact and friction.
- 4、 Adopt American CREE original LED light source, high flus output, excellent consistency of light color; Constant current driver with PWM gray control installed inside, RGB gray level reaches to 65,536 degree equally, make the light result much beautiful.
- 5、 Powerful DMX512 interface adopts high reliable bus connect, all has the function of automatic addressing.

## Specification

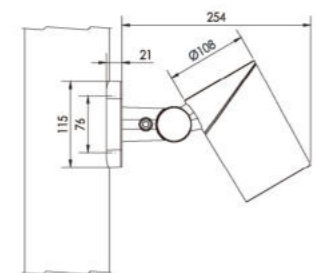
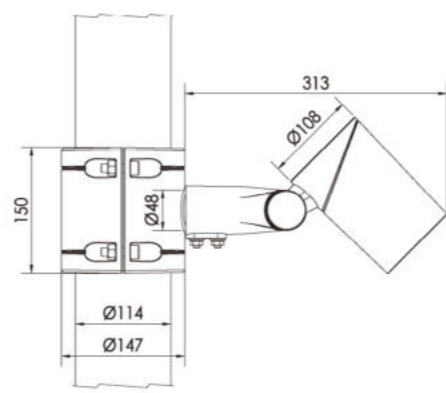
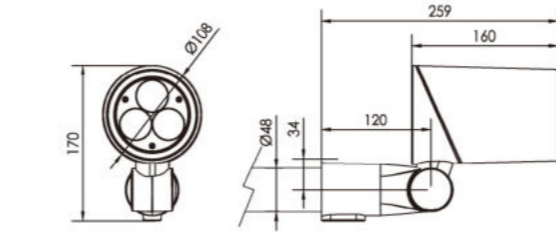
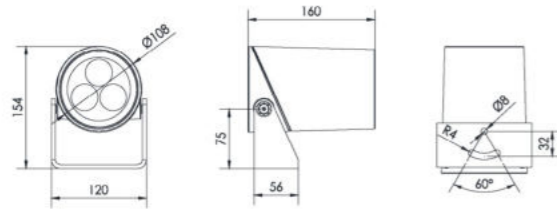
Product Code	TL-1150FI-5	TL-1150FD-15	TL-1150FF-5	TL-1150F-C50
Led Brand	CREE XHP35	CREE XP-G3	CREE RGBW 4 in1	CREE COB
Led Quantity	5pcs	15pcs	5pcs	1pcs
Rared Power	45W	50W	50W	50W
Input Voltage	AC100-305V	AC100-305V	DC24V / AC100-305V	AC100-305V
Frequency Range	50/60Hz	50/60Hz	50/60Hz	50/60Hz
Color	Single	Single	RGBW	Single
Beam Angle	5° 12° 20° 30° 10X70° 5X20°	5° 8° 12.5° 20° 30° 45° 60° 15X30° 10X60°	15° 20° 30° 15X60°	12° 24° 38°
Control Mode	CC/DALI/0-10V	CC/DALI/0-10V	DMX512/RDM	DMX512/RDM
Life	50000H	50000H	50000H	50000H
Protection Grade	IP66	IP66	IP66	IP66
Ambient Temperature	-25℃~50℃	-25℃~50℃	-25℃~50℃	-25℃~50℃
Ambient Humidity	10%~90%	10%~90%	10%~90%	10%~90%

## Flood Light Series

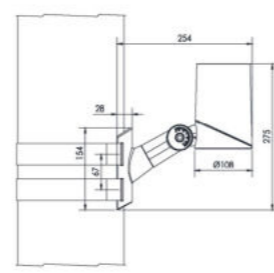
TL-1140F



TL-1140S



AVL Dia of pole(67-325)mm T≥4



AVL Dia of pole(168-268)mm

**Specification**

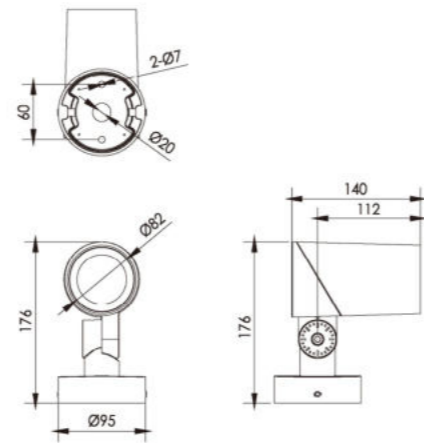
Product Code	TL-1140FI-3	TL-1140FE-3	TL-1140FD-3	TL-1140FG-1	TL-1140FF-3
LED Brand	CREE XHP35	CREE XP-L	CREE XP-G3	OSRAM	CREE RGBW 4 in 1
LED Quantity	3pcs	3pcs	3pcs	1pc	3pcs
Rated Power	30W	15W	12W	15W/30W	12W
Input Voltage	AC100-264V	AC100-264V	AC100-264V	DC12V/DC24V	DC24V
Frequency Range	50/60Hz	50/60Hz	50/60Hz	50/60Hz	/
Color	Single	Single	Single	RGBW	RGBW
Beam Angle	2.6° 3.5° 12° 20° 30° 10X70° 5X20°			5° 20°	15° 20° 30° 15x60°
Control Mode	CC	CC/DALI/0-10V	CC/DALI/0-10V	DMX512	DMX512
Life	50000H	50000H	50000H	50000H	50000H
Protection Grade	IP66	IP66	IP66	IP66	IP66
Ambient Temperature	-25℃ ~ 50℃	-25℃ ~ 50℃	-25℃ ~ 50℃	-25℃ ~ 50℃	-25℃ ~ 50℃
Ambient Humidity	10% ~ 90%	10% ~ 90%	10% ~ 90%	10% ~ 90%	10% ~ 90%

Product Code	TL-1140F-C15	TL-1140F-C20
Led Brand	CREE COB	CREE COB
Led Quantity	1pcs	1pcs
Rated Power	15W	20W
Input Voltage	AC100-264V	AC100-264V
Frequency Range	50/60Hz	50/60Hz
Color	Single	Single
Beam Angle	12° 24° 38° 45° 60°	
Control Mode	CC/DALI/0-10V	CC/DALI/0-10V
Life	50000H	50000H
Protection Grade	IP66	IP66
Ambient Temperature	-25℃ ~ 50℃	-25℃ ~ 50℃
Ambient Humidity	10% ~ 90%	10% ~ 90%

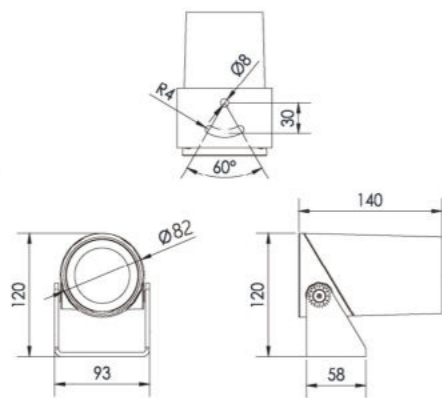


# Flood Light Series

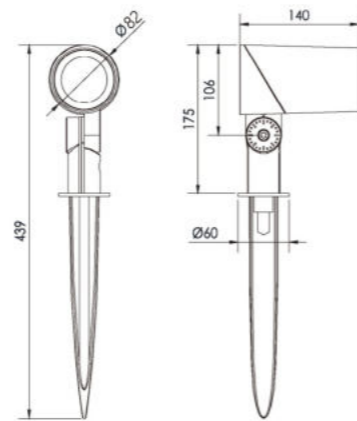
TL-1145F



TL-1145U

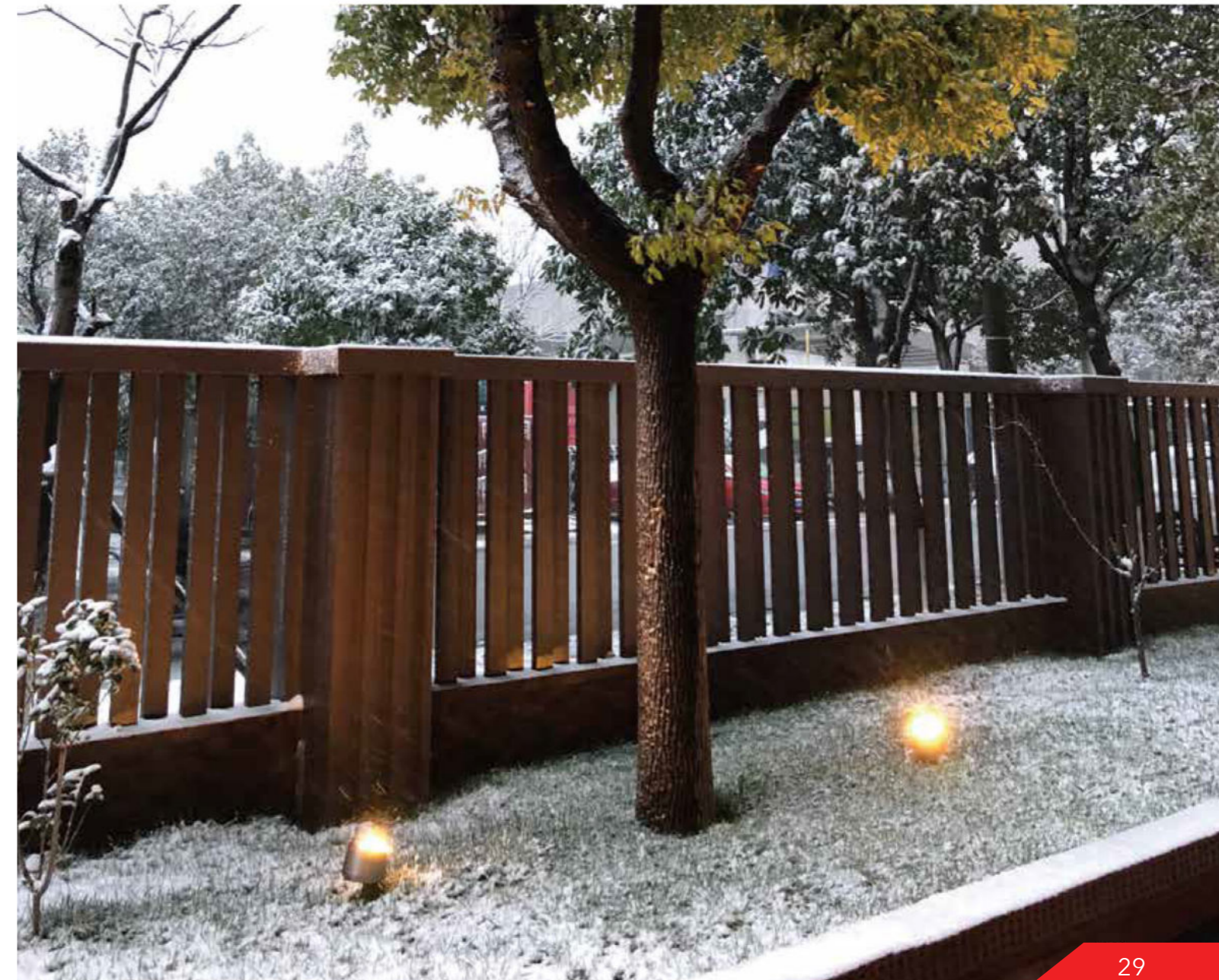


TL-1145S



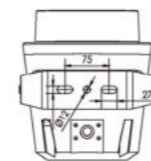
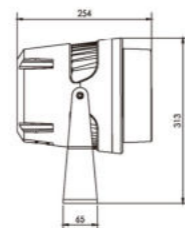
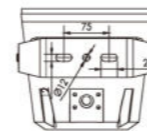
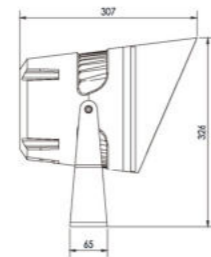
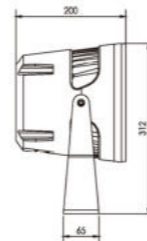
## Specification

Product Code	TL-1145FE-1	TL-1145FF-1	TL-1145FE-C12
Led Brand	CREE XHP35	CREE RGBW 4 in 1	CREE COB
Led Quantity	1pc	1pc	1pc
Rated Power	10W	8W	12W
Input Voltage	AC100-264V	DC12V/DC24V	AC100-264V
Frequency Range	50/60Hz	/	50/60Hz
Color	Single	RGBW	Single
Beam Range	3° 15° 20° 10X60°	8° 25° 10X45°	12° 24° 38°
Control Mode	CC	DMX512	CC
Life	50000H	50000H	50000H
Protection Grade	IP66	IP66	IP66
Ambient Temperature	-25℃~50℃	-25℃~50℃	-25℃~50℃
Ambient Humidity	10%~90%	10%~90%	10%~90%



# Flood Light Series

## TL-1102U



## Product Introduction

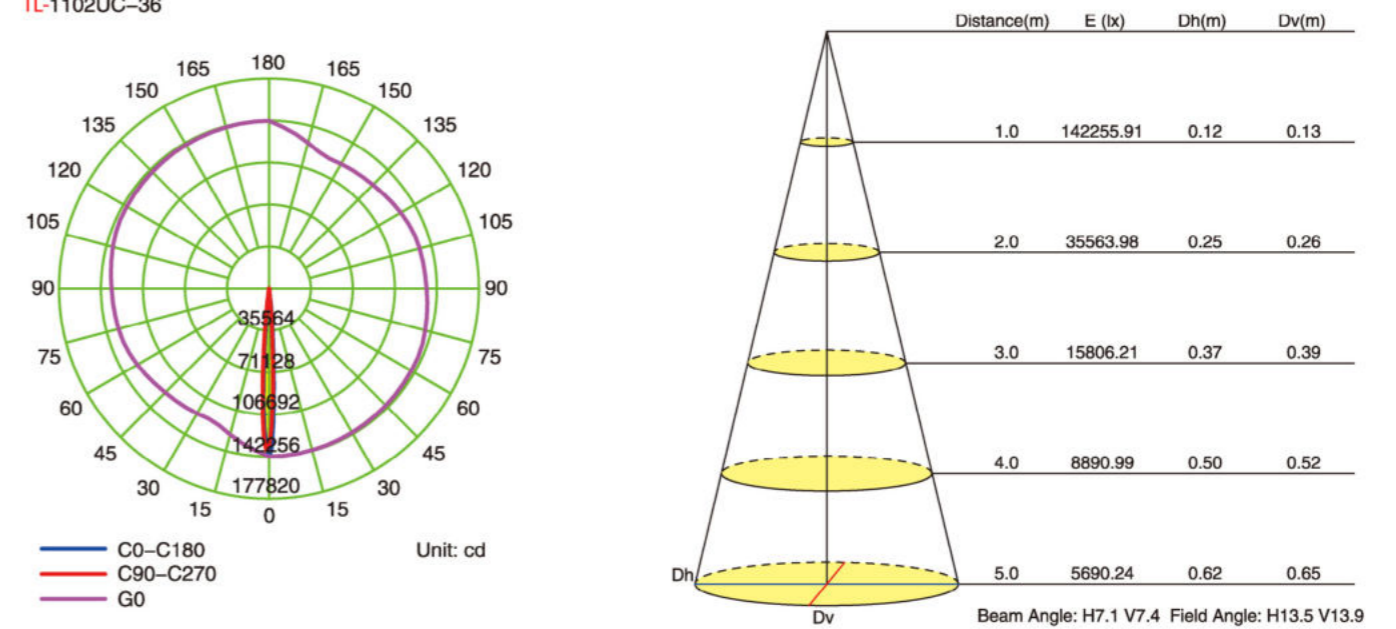
- 1、 Patent owned design, fashion and beautiful appearance, adopt isolated two bodies design could have the separate heat dissipation fully ensure the stability and long lifespan of LED light.
- 2、 With multiway rotate function of round support or "U" support available to meet the various occasions demands for outdoor projects.
- 3、 Light body adopts high pressure die-casting aluminum, surface with fluorine carbon spraying. Lampshade adopts high strength toughened glass, resist the impact and friction.
- 4、 Adopt American CREE original LED light source, high flus output, excellent consistency of light color; Constant current driver with PWM gray control installed inside, RGB gray level reaches to 65,536 degree equally, make the light result much beautiful.
- 5、 Powerful DMX512 interface adopts high reliable bus connect, all has the function of automatic addressing.

## Specification

Product Code	TL-1102UD-36	TL-1102UC-36	TL-1102UB-36	TL-1102UC-24
Led Brand	CREE XP-G3	CREE	CREE	CREE
Led Quantity	36pcs	36pcs	36pcs	24pcs
Rared Power	105W	86W	60W	50W
Input Voltage	AC100-240V	DC24V/AC100-240V		DC36V/AC100-240V
Frequency Range	50/60Hz	50/60Hz	50/60Hz	50/60Hz
Color	Single	RGB/Single	RGB/Single	RGB/Single
Beam Angle	5° 8° 12.5° 20° 30° 45° 60° 15X30° 10X60°			
Control Mode	CC	CC/DALI/0-10V	DMX512/RDM	DMX512/RDM
Life	50000H	50000H	50000H	50000H
Protection Grade	IP66	IP66	IP66	IP66
Ambient Temperature	-25℃~50℃	-25℃~50℃	-25℃~50℃	-25℃~50℃
Ambient Humidity	10%~90%	10%~90%	10%~90%	10%~90%

## Distribution Curve Flux (SBC Case)

TL-1102UC-36



# Flood Light Series

TL-1102F



## Product Introduction

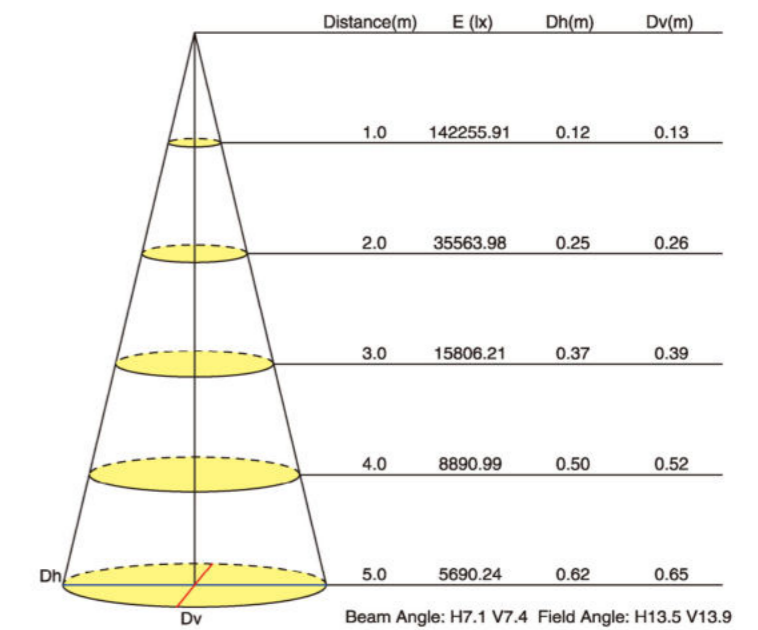
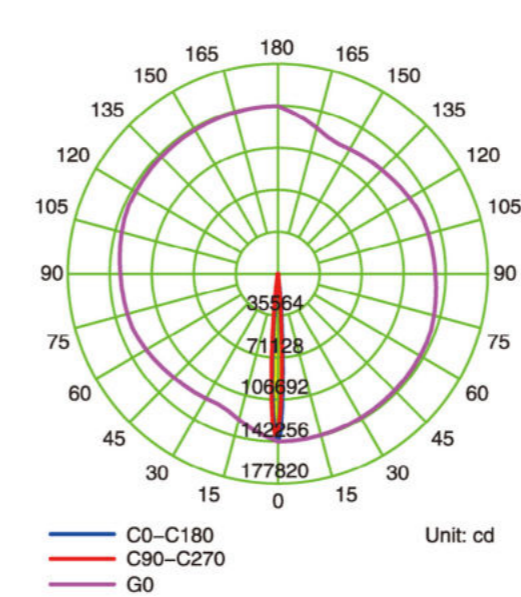
- 1、 Patent owned design, fashion and beautiful appearance, adopt isolated two bodies design could have the separate heat dissipation fully ensure the stability and long lifespan of LED light.
- 2、 With multiway rotate function of round support or "U" support available to meet the various occasions demands for outdoor projects.
- 3、 Light body adopts high pressure die-casting aluminum, surface with fluorine carbon spraying. Lampshade adopts high strength toughened glass, resist the impact and friction.
- 4、 Adopt American CREE original LED light source, high flus output, excellent consistency of light color; Constant current driver with PWM gray control installed inside, RGB gray level reaches to 65,536 degree equally, make the light result much beautiful.
- 5、 Powerful DMX512 interface adopts high reliable bus connect, all has the function of automatic addressing.

## Specification

Product Code	TL-1102FD-36	TL-1102FC-36	TL-1102FB-36	TL-1102FC-24
Led Brand	CREE	CREE	CREE	CREE
Led Quantity	36pcs	36pcs	36pcs	24pcs
Rared Power	105W	86W	60W	50W
Input Voltage	AC100-240V	AC100-240V		AC100-240V
Frequency Range	50/60Hz	50/60Hz	50/60Hz	50/60Hz
Color	Single	Single	Single	Single
Beam Angle	5° 8° 12.5° 20° 30° 45° 60° 15X30° 10X60°			
Control Mode	CC	CC	CC	CC
Life	50000H	50000H	50000H	50000H
Protection Grade	IP66	IP66	IP66	IP66
Ambient Temperature	-25℃~50℃	-25℃~50℃	-25℃~50℃	-25℃~50℃
Ambient Humidity	10%~90%	10%~90%	10%~90%	10%~90%

## Distribution Curve Flux (SBC Case)

TL-1102UC-36

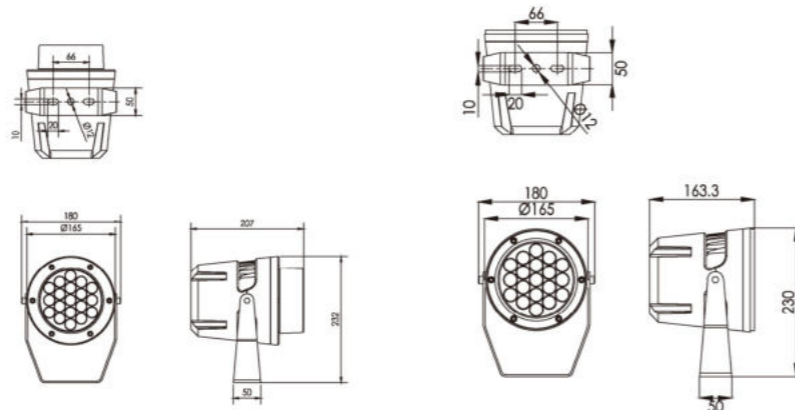


# Flood Light Series

TL-1103U



TL-1103G



## Product Introduction

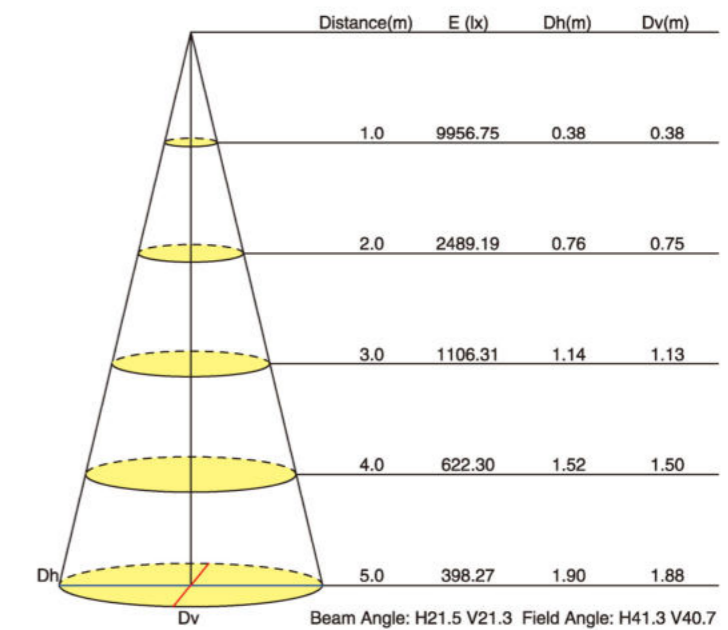
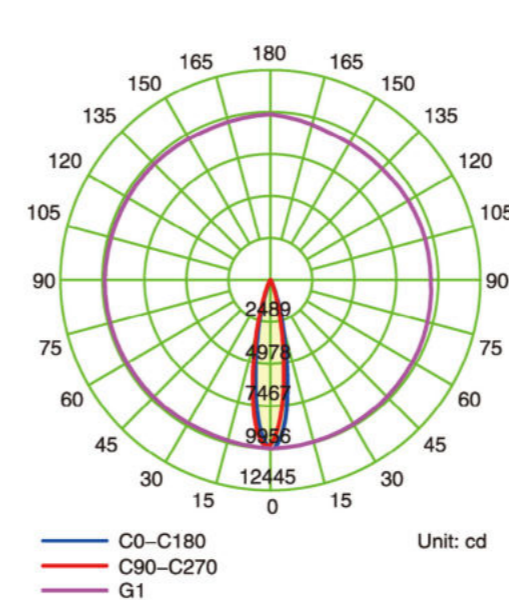
- 1、 Patent owned design, fashion and beautiful appearance, adopt isolated two bodies design could have the separate heat dissipation fully ensure the stability and long lifespan of LED light.
- 2、 With multiway rotate function of round support or "U" support available to meet the various occasions demands for outdoor projects.
- 3、 Light body adopts high pressure die-casting aluminum, surface with fluorine carbon spraying. Lampshade adopts high strength toughened glass, resist the impact and friction.
- 4、 Adopt American CREE original LED light source, high flus output, excellent consistency of light color; Constant current driver with PWM gray control installed inside, RGB gray level reaches to 65,536 degree equally, make the light result much beautiful.
- 5、 Powerful DMX512 interface adopts high reliable bus connect, all has the function of automatic addressing.

## Specification

Product Code	TL-1103UC-18	TL-1103UB-18	TL-1103UA-18
LED Brand	CREE XP-G3	CREE	CREE
LED Quantity	18pcs	18pcs	18pcs
Rated Power	45W	30W	21W
Input Voltage	AC100-240V	DC24V/AC100-240V	DC24V/AC100-240V
Frequency Range	50/60Hz	50/60Hz	50/60Hz
Color	Single	RGB/Single	RGB/Single
Beam Angle	5° 8° 12.5° 20° 30° 45° 60° 15X30° 10X60°		
Control Mode	CC	DMX512/CC	DMX512/CC
Life	50000H	50000H	50000H
Protection Grade	IP66	IP66	IP66
Ambient Temperature	- 25°C ~ 50°C	- 25°C ~ 50°C	- 25°C ~ 50°C
Ambient Humidity	10% ~ 90%°	10% ~ 90%°	10% ~ 90%°

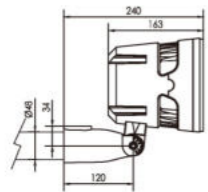
## Distribution Curve Flux (SBC Case)

TL-1103UB-18



# Flood Light Series

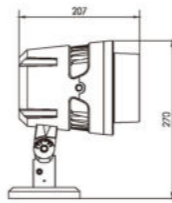
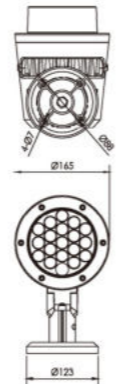
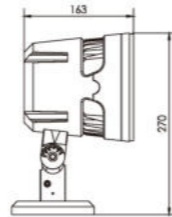
TL-1103F



TL-1103M



TL-1103X

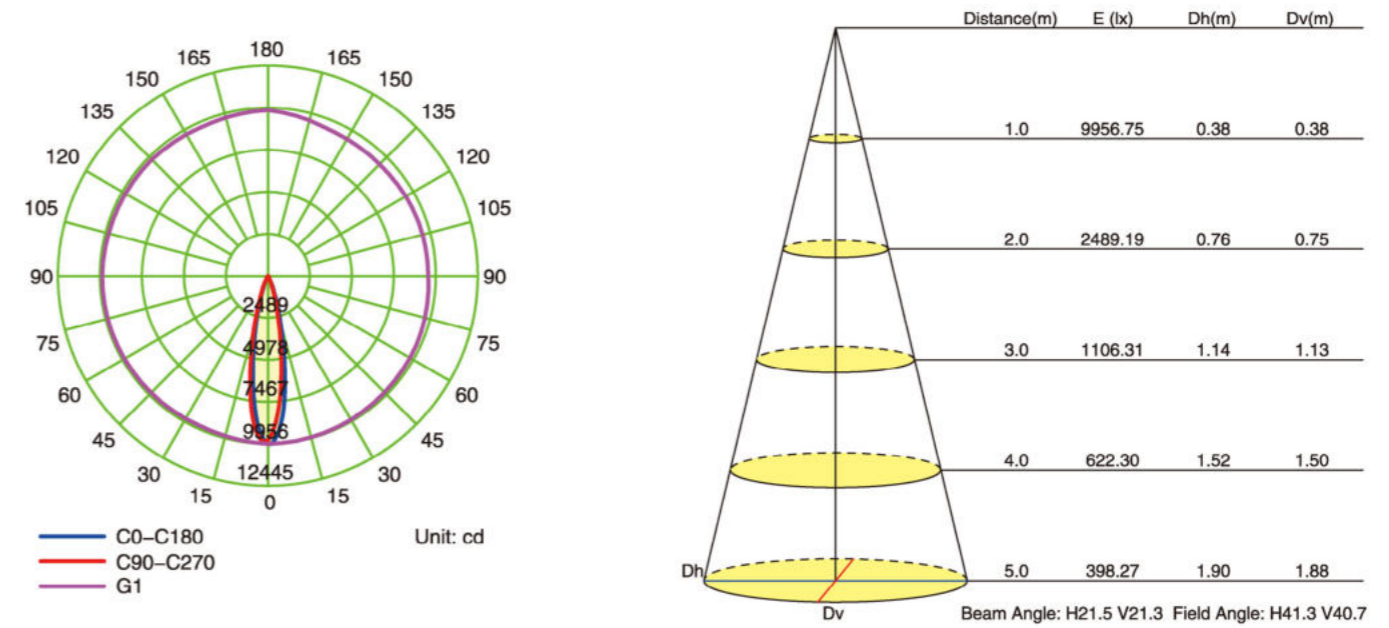


## Specification

Product Code	TL-1103FC-18	TL-1103FB-18	TL-1103FA-18
LED Brand	CREE XP-G3	CREE	CREE
LED Quantity	18pcs	18pcs	18pcs
Rated Power	45W	30W	21W
Input Voltage	AC100-240V	DC24V/AC100-240V	DC24V/AC100-240V
Frequency Range	50/60Hz	50/60Hz	50/60Hz
Color	Single	RGB/Single	RGB/Single
Beam Angle	5° 8° 12.5° 20° 30° 45° 60° 15X30° 10X60°		
Control Mode	CC	CC	CC
Life	50000H	50000H	50000H
Protection Grade	IP66	IP66	IP66
Ambient Temperature	-25°C ~ 50°C	-25°C ~ 50°C	-25°C ~ 50°C
Ambient Humidity	10% ~ 90%°	10% ~ 90%°	10% ~ 90%

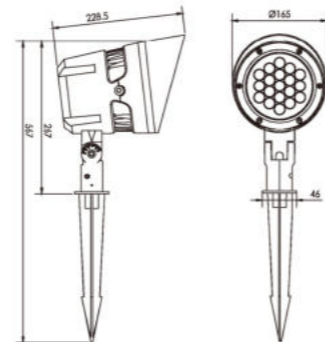
## Distribution Curve Flux (SBC Case)

TL-1103FB-18



# Flood Light Series

TL-1103S

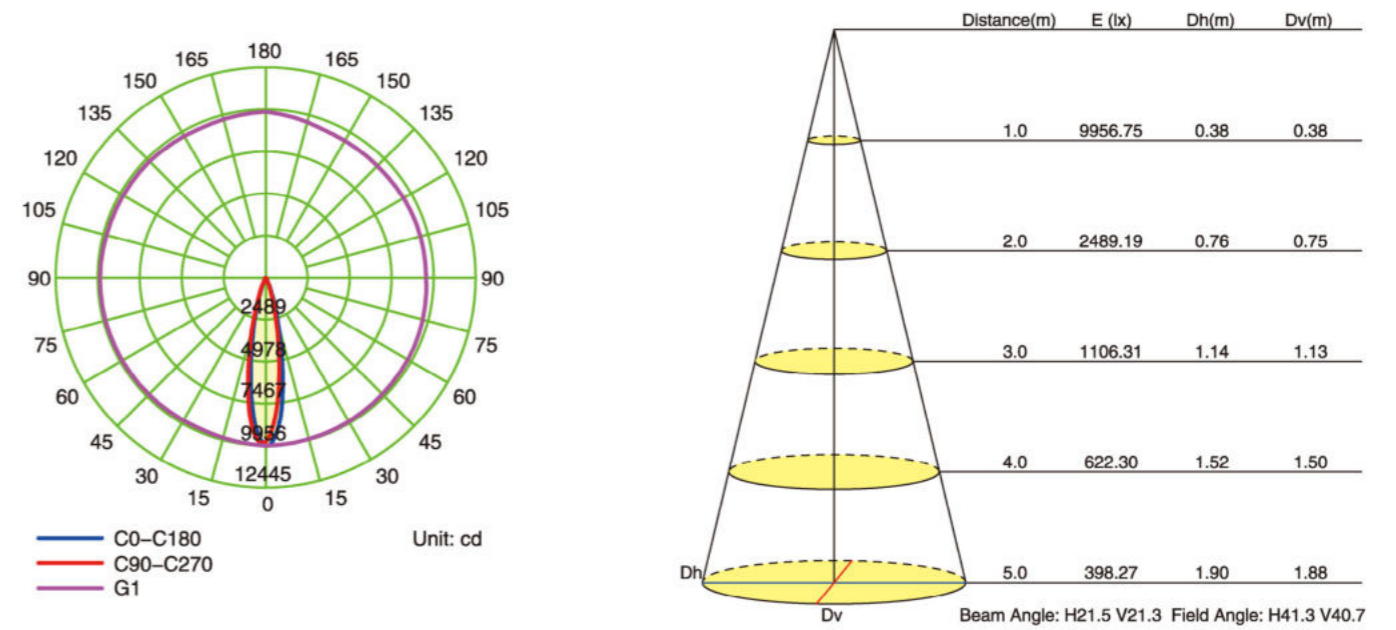


## Specification

Product Code	TL-1103SC-18	TL-1103SB-18	TL-1103SA-18
LED Brand	CREE XP-G3	CREE	CREE
LED Quantity	18pcs	18pcs	18pcs
Rated Power	45W	30W	21W
Input Voltage	AC100-240V	DC24V/AC100-240V	DC24V/AC100-240V
Frequency Range	50/60Hz	50/60Hz	50/60Hz
Color	Single	RGB/Single	RGB/Single
Beam Angle	5° 8° 12.5° 20° 30° 45° 60° 15X30° 10X60°		
Control Mode	CC	DMX512/CC	DMX512/CC
Life	50000H	50000H	50000H
Protection Grade	IP66	IP66	IP66
Ambient Temperature	- 25°C ~ 50°C	- 25°C ~ 50°C	- 25°C ~ 50°C
Ambient Humidity	10% ~ 90%	10% ~ 90%	10% ~ 90%

## Distribution Curve Flux (SBC Case)

TL-1103SB-18

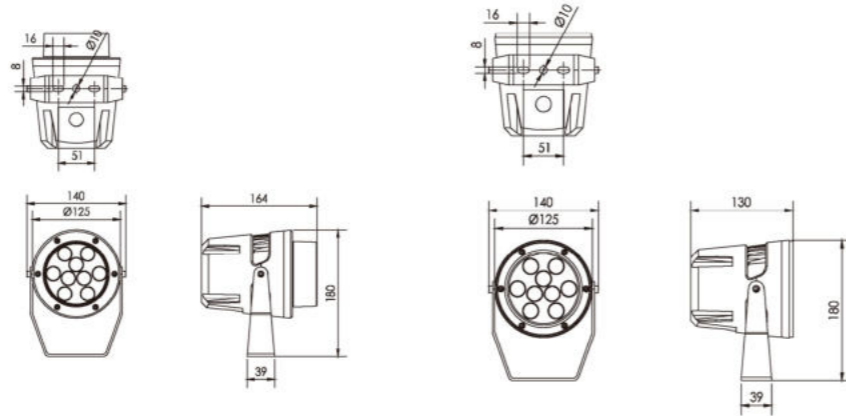


# Flood Light Series

TL-1104U



TL-1104G



## Product Introduction

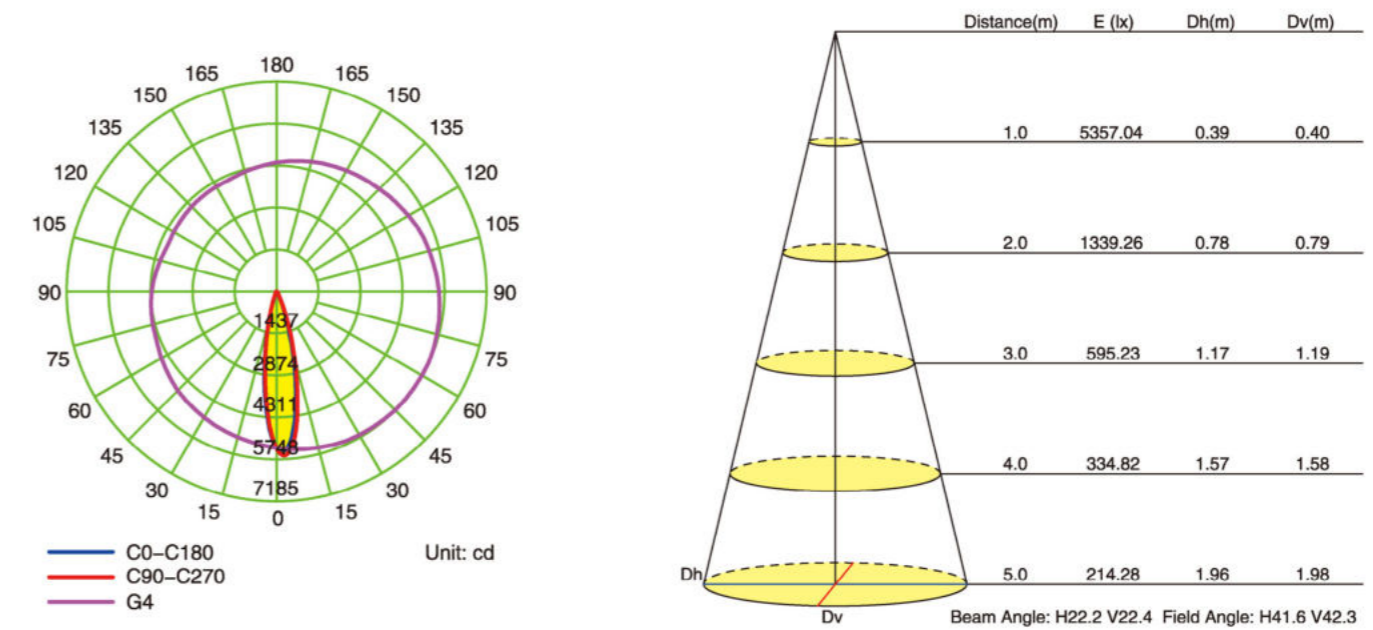
- 1、 Patent owned design, fashion and beautiful appearance, adopt isolated two bodies design could have the separate heat dissipation fully ensure the stability and long lifespan of LED light.
- 2、 With multiway rotate function of round support or "U" support available to meet the various occasions demands for outdoor projects.
- 3、 Light body adopts high pressure die-casting aluminum, surface with fluorine carbon spraying. Lampshade adopts high strength toughened glass, resist the impact and friction.
- 4、 Adopt American CREE original LED light source, high flus output, excellent consistency of light color; Constant current driver with PWM gray control installed inside, RGB gray level reaches to 65,536 degree equally, make the light result much beautiful.
- 5、 Powerful DMX512 interface adopts high reliable bus connect, all has the function of automatic addressing.

## Specification

Product Code	TL-1104UB-9	TL-1104UA-9
LED Brand	CREE	CREE
LED Quantity	9pcs	9pcs
Rated Power	20W	11W
Input Voltage	DC12V/AC100-240V	DC12V/AC100-240V
Frequency Range	50/60Hz	50/60Hz
Color	RGB/Single	RGB/Single
Beam Angle	5° 8° 12.5° 20° 30° 45° 60°	15X30° 10X60°
Control Mode	DMX512/CC	DMX512/CC
Life	50000H	50000H
Protection Grade	IP66	IP66
Ambient Temperature	- 25°C ~ 50°C	- 25°C ~ 50°C
Ambient Humidity	10% ~ 90%	10% ~ 90%

## Distribution Curve Flux (SBC Case)

TL-1104UB-9



# Flood Light Series

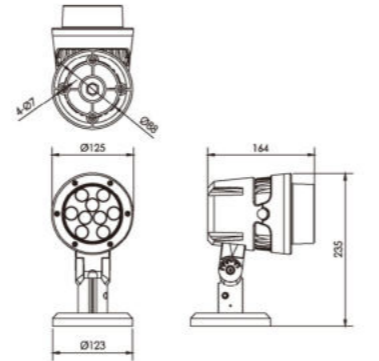
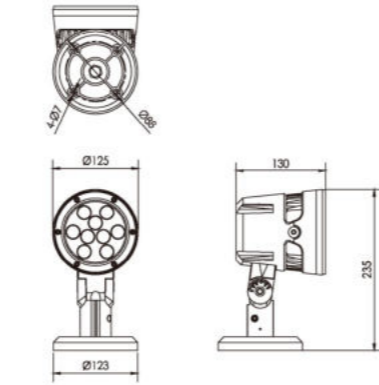
TL-1104F



TL-1104M



TL-1104X

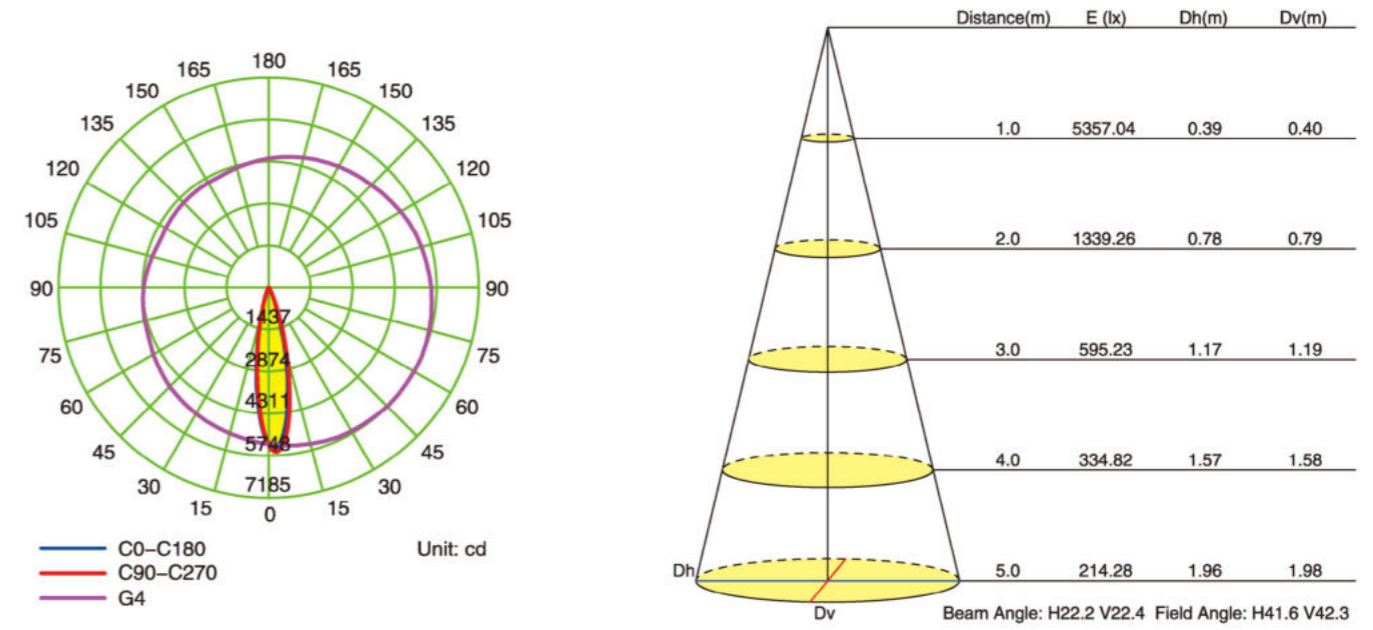


## Specification

Product Code	TL-1104FB-9	TL-1104FA-9
LED Brand	CREE	CREE
LED Quantity	9pcs	9pcs
Rated Power	20W	11W
Input Voltage	AC100-240V	AC100-240V
Frequency Range	50/60Hz	50/60Hz
Color	Single	Single
Beam Angle	5° 8° 12.5° 20° 30° 45° 60° 15X30° 10X60°	
Control Mode	CC	CC
Life	50000H	50000H
Protection Grade	IP66	IP66
Ambient Temperature	-25°C ~ 50°C	-25°C ~ 50°C
Ambient Humidity	10% ~ 90%	10% ~ 90%

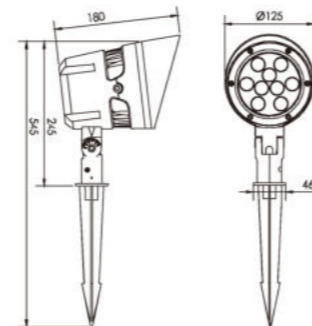
## Distribution Curve Flux (SBC Case)

TL-1104FB-9



# Flood Light Series

TL-1104S

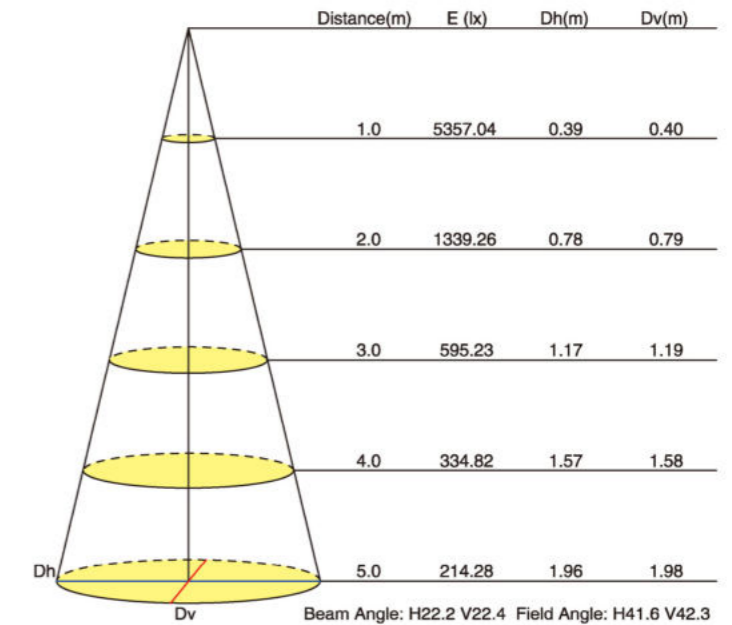
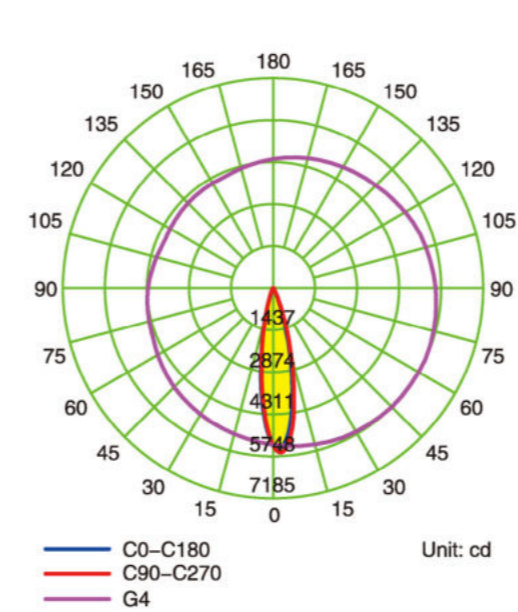


## Specification

Product Code	TL-1104SB-9	TL-1104SA-9
LED Brand	CREE	CREE
LED Quantity	9pcs	9pcs
Rated Power	20W	11W
Input Voltage	AC100-240V	AC100-240V
Frequency Range	50/60Hz	50/60Hz
Color	Single	Single
Beam Angle	5° 8° 12.5° 20° 30° 45° 60° 15X30° 10X60°	
Control Mode	CC	CC
Life	50000H	50000H
Protection Grade	IP66	IP66
Ambient Temperature	- 25°C ~ 50°C	- 25°C ~ 50°C
Ambient Humidity	10% ~ 90%	10% ~ 90%

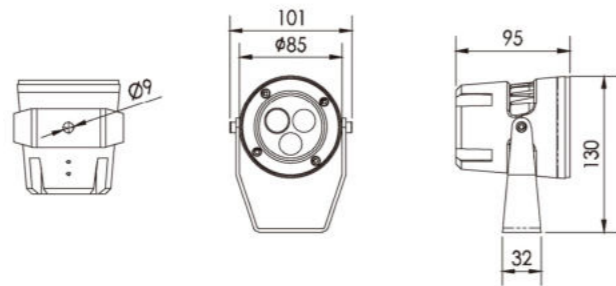
## Distribution Curve Flux (SBC Case)

TL-1104SB-9



# Flood Light Series

TL-1105U



## Product Introduction

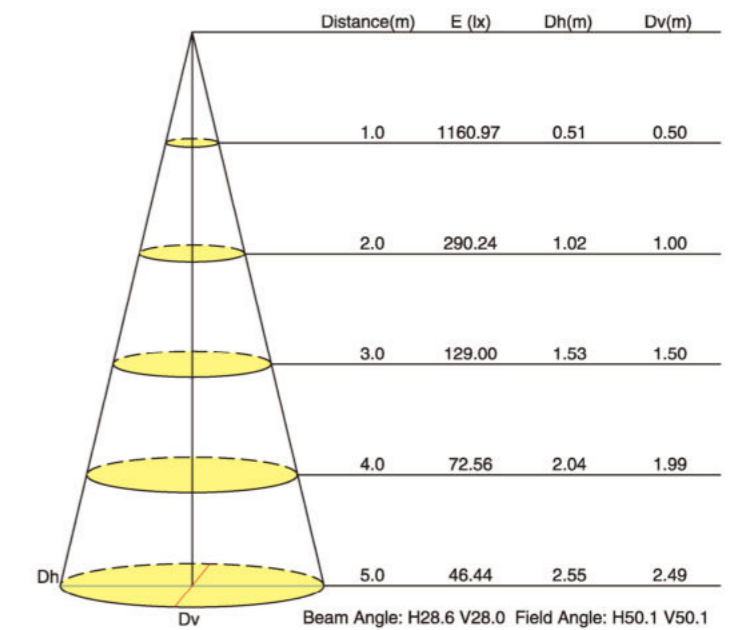
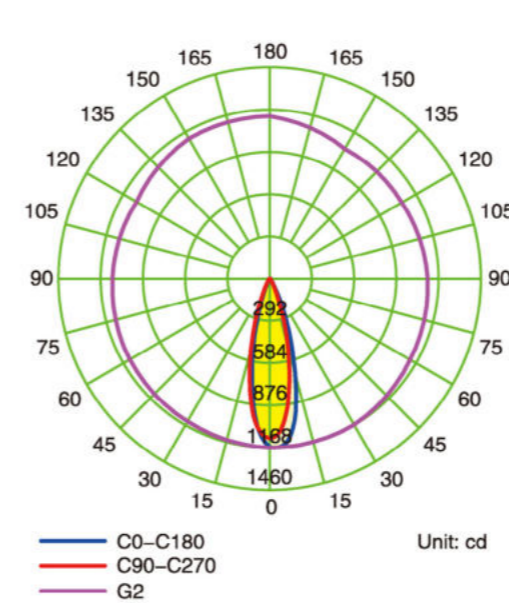
- 1、 Patent owned design, fashion and beautiful appearance, adopt isolated two bodies design could have the separate heat dissipation fully ensure the stability and long lifespan of LED light.
- 2、 With multiway rotate function of round support or "U" support available to meet the various occasions demands for outdoor projects.
- 3、 Light body adopts high pressure die-casting aluminum, surface with fluorine carbon spraying. Lampshade adopts high strength toughened glass, resist the impact and friction.
- 4、 Adopt American CREE original LED light source, high flus output, excellent consistency of light color; Constant current driver with PWM gray control installed inside, RGB gray level reaches to 65,536 degree equally, make the light result much beautiful.
- 5、 Powerful DMX512 interface adopts high reliable bus connect, all has the function of automatic addressing.

## Specification

Product Code	TL-1105UC-3	TL-1105UB-3	TL-1105UA-3	TL-1105U-C10
LED Brand	CREE	CREE	CREE	CREE
LED Quantity	3pcs	3pcs	3pcs	1pc
Rated Power	8W	6W	3.5W	10W
Input Voltage	DC12V/AC100-240V	DC12V/AC100-240V	DC12V/AC100-240V	DC12V/AC100-240V
Frequency Range	50/60Hz	50/60Hz	50/60Hz	50/60Hz
Color	RGB/Single	RGB/Single	RGB/Single	Single
Beam Angle	5° 8° 12.5° 20° 30° 45° 60° 15X30° 10X60°			25°
Control Mode	DMX512/CC	DMX512/CC	DMX512/CC	DMX512/CC
Life	50000H	50000H	50000H	50000H
Protection Grade	IP66	IP66	IP66	IP66
Ambient Temperature	- 25°C ~ 50°C	- 25°C ~ 50°C	- 25°C ~ 50°C	- 25°C ~ 50°C
Ambient Humidity	10% ~ 90%	10% ~ 90%	10% ~ 90%	10% ~ 90%

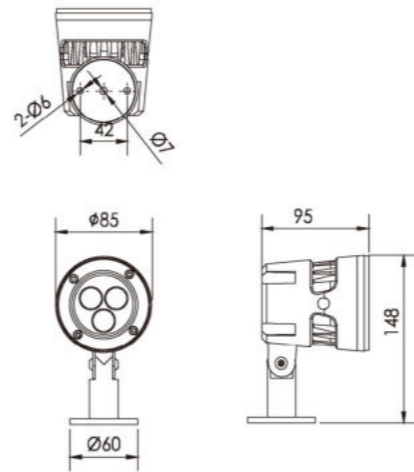
## Distribution Curve Flux (SBC Case)

TL-1105UB-3



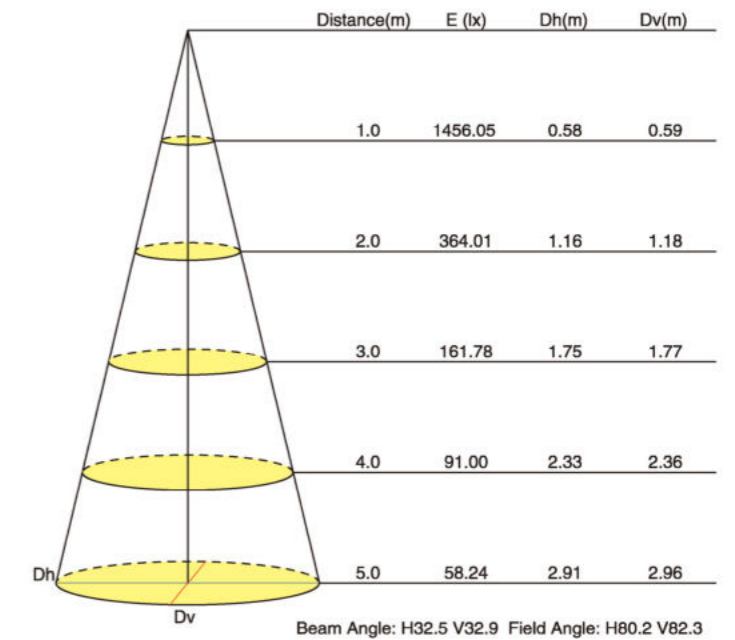
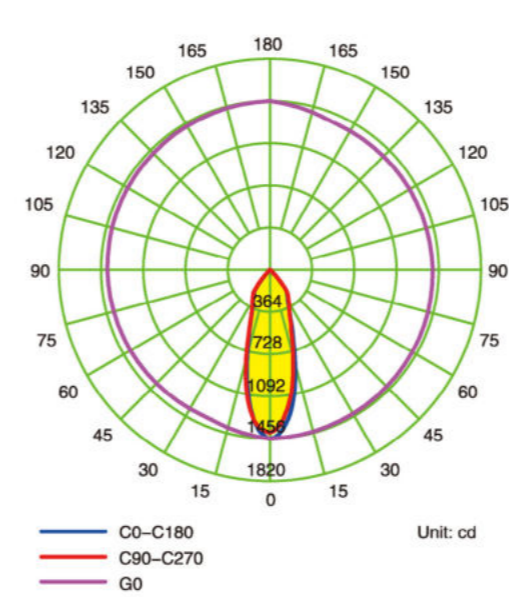
# Flood Light Series

TL-1105F



## Distribution Curve Flux (SBC Case)

TL-1105F-C10



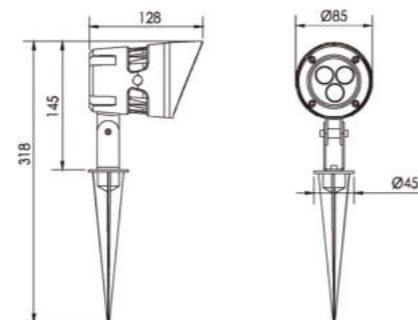
### Specification

Product Code	SL1105FC-3	SL1105FB-3	SL1105FA-3	SL1105F-C10
LED Brand	CREE	CREE	CREE	CREE
LED Quantity	3pcs	3pcs	3pcs	1pc
Rated Power	8W	6W	3.5W	10W
Input Voltage	AC100-240V	AC100-240V	AC100-240V	AC100-240V
Frequency Range	50/60Hz	50/60Hz	50/60Hz	50/60Hz
Color	Single	Single	Single	Single
Beam Angle	5° 8° 12.5° 20° 30° 45° 60° 15X30° 10X60°			25°
Control Mode	CC	CC	CC	CC
Life	50000H	50000H	50000H	50000H
Protection Grade	IP66	IP66	IP66	IP66
Ambient Temperature	- 25°C ~ 50°C	- 25°C ~ 50°C	- 25°C ~ 50°C	- 25°C ~ 50°C
Ambient Humidity	10% ~ 90%	10% ~ 90%	10% ~ 90%	10% ~ 90%



# Flood Light Series

TL-1105S

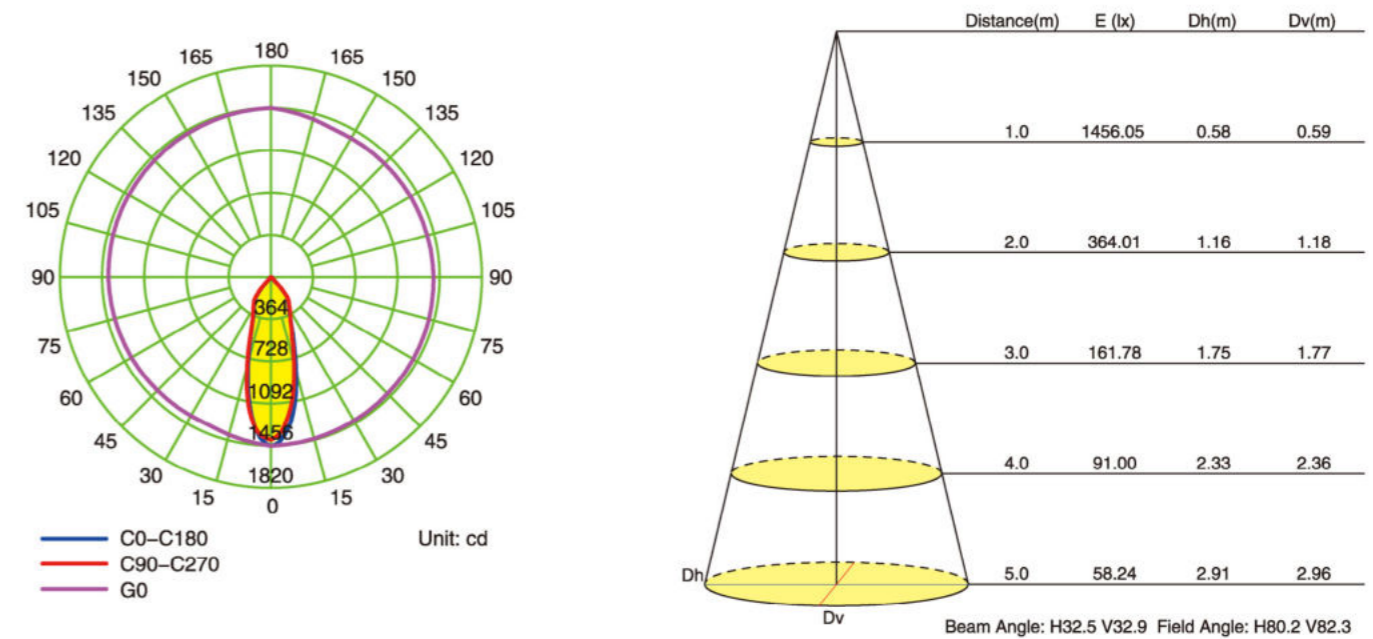


## Specification

Product Code	TL-1105SC-3	TL-1105SB-3	TL-1105SA-3	TL-1105S-C10
LED Brand	CREE	CREE	CREE	CREE
LED Quantity	3pcs	3pcs	3pcs	1pc
Rated Power	8W	6W	3.5W	10W
Input Voltage	AC100-240V	AC100-240V	AC100-240V	AC100-240V
Frequency Range	50/60Hz	50/60Hz	50/60Hz	50/60Hz
Color	Single	Single	Single	Single
Beam Angle	5° 8° 12.5° 20° 30° 45° 60° 15X30° 10X60°			25°
Control Mode	CC	CC	CC	CC
Life	50000H	50000H	50000H	50000H
Protection Grade	IP66	IP66	IP66	IP66
Ambient Temperature	- 25°C ~ 50°C	- 25°C ~ 50°C	- 25°C ~ 50°C	- 25°C ~ 50°C
Ambient Humidity	10% ~ 90%	10% ~ 90%	10% ~ 90%	10% ~ 90%

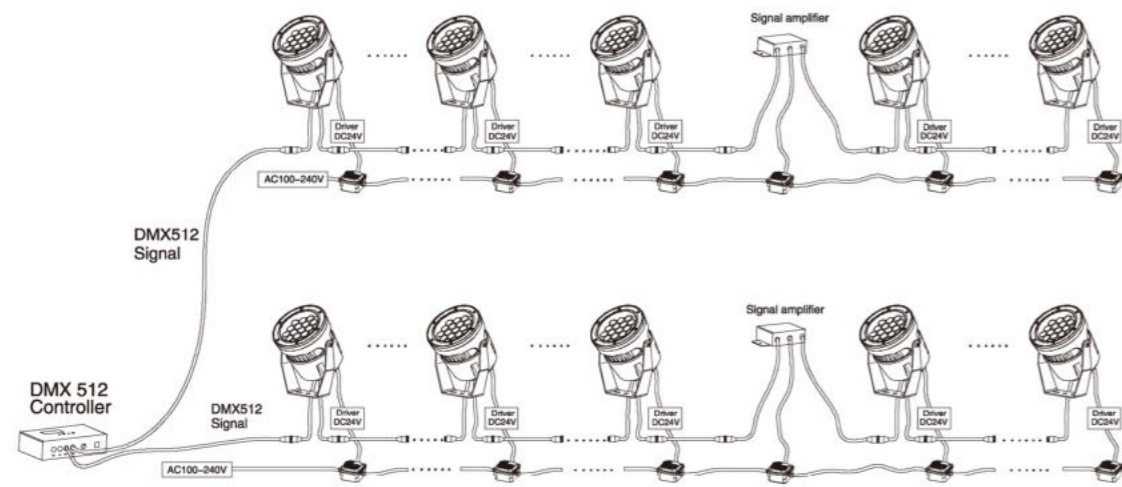
## Distribution Curve Flux (SBC Case)

TL-1105S-C10

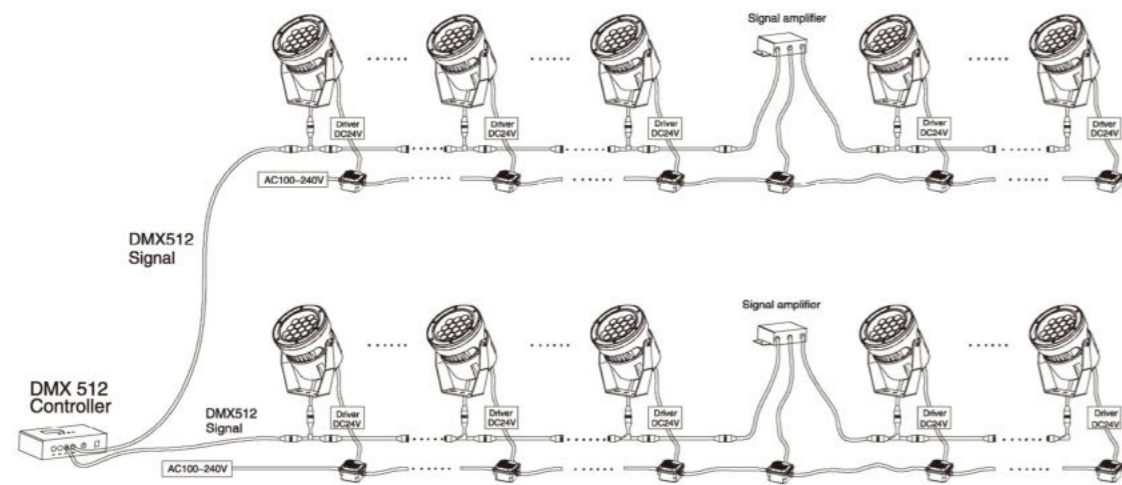


### Wiring Diagram

#### RGB A



#### RGB B

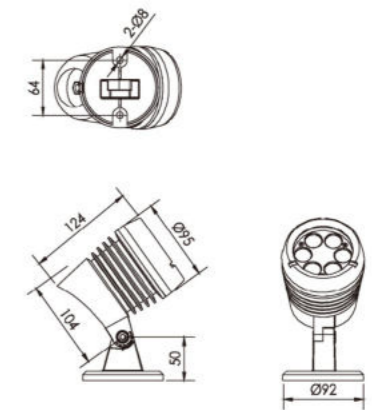


#### (Single Color)



## Flood Light Series

### TL-1125F

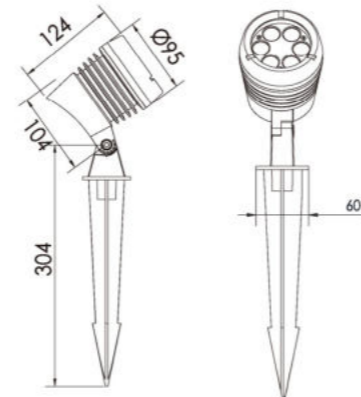


### Specification

Product Code	TL-1125FC-7	TL-1125FB-6	TL-1125FA-6	TL-1125F-C12
LED Brand	CREE	CREE	CREE	CREE COB
LED Quantity	7pcs	6pcs	6pcs	1pc
Rated Power	16W	11W	7W	12W
Input Voltage	AC100-240V	AC100-240V	AC100-240V	AC100-240V
Frequency Range	50/60Hz	50/60Hz	50/60Hz	50/60Hz
Color	Single	Single	Single	Single
Beam Angle	5° 8° 12.5° 20° 30° 45° 60° 15X30° 10X60°			15°
Control Mode	CC	CC	CC	CC
Life	50000H	50000H	50000H	50000H
Protection Grade	IP66	IP66	IP66	IP66
Ambient Temperature	- 25°C ~ 50°C	- 25°C ~ 50°C	- 25°C ~ 50°C	- 25°C ~ 50°C
Ambient Humidity	10% ~ 90%	10% ~ 90%	10% ~ 90%	10% ~ 90%

# Flood Light Series

TL-1125S

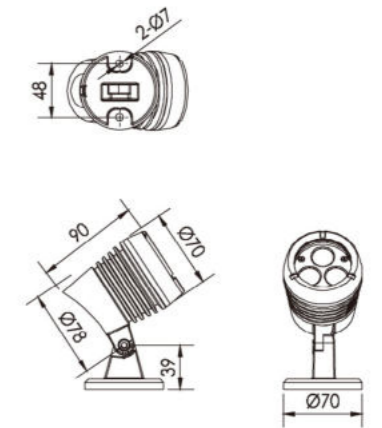


## Specification

Product Code	TL-1125SC-7	TL-1125SB-6	TL-1125SA-6	TL-1125S-C12
LED Brand	CREE	CREE	CREE	CREE COB
LED Quantity	7pcs	6pcs	6pcs	1pc
Rated Power	16W	11W	7W	12W
Input Voltage	AC100-240V	AC100-240V	AC100-240V	AC100-240V
Frequency Range	50/60Hz	50/60Hz	50/60Hz	50/60Hz
Color	Single	Single	Single	Single
Beam Angle	5° 8° 12.5° 20° 30° 45° 60° 15X30° 10X60°			15°
Control Model	CC	CC	CC	CC
Life	50000H	50000H	50000H	50000H
Protection Grade	IP66	IP66	IP66	IP66
Ambient Temperature	-25°C ~ 50°C	-25°C ~ 50°C	-25°C ~ 50°C	-25°C ~ 50°C
Ambient Humidity	10% ~ 90%	10% ~ 90%	10% ~ 90%	10% ~ 90%

# Flood Light Series

TL-1126F

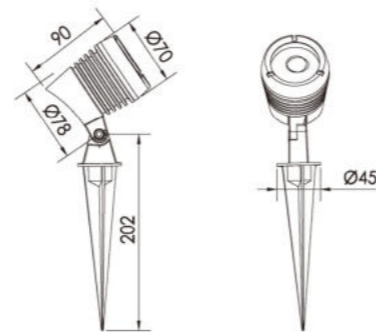


## Specification

Product Code	TL-1126FB-3	TL-1126FA-3	TL-1126F-C6
LED Brand	CREE	CREE	CREE COB
LED Quantity	3pcs	3pcs	1pc
Rated Power	6W	3.5W	6W
Input Voltage	AC100-240V	AC100-240V	AC100-240V
Frequency Range	50/60Hz	50/60Hz	50/60Hz
Color	Single	Single	Single
Beam Angle	5° 8° 12.5° 20° 30° 45° 60° 15X30° 10X60°		20°
Control Mode	CC	CC	CC
Life	50000H	50000H	50000H
Protection Grade	IP66	IP66	IP66
Ambient Temperature	-25°C ~ 50°C	-25°C ~ 50°C	-25°C ~ 50°C
Ambient Humidity	10% ~ 90%	10% ~ 90%	10% ~ 90%

# Flood Light Series

TL-1126S

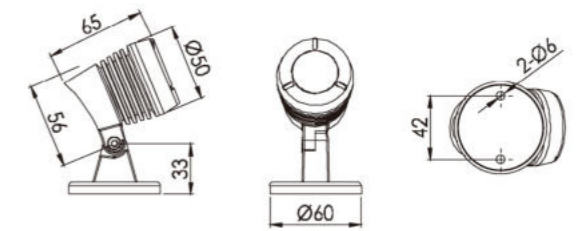


## Specification

Product Code	TL-1126SB-3	TL-1126SA-3	TL-1126S-C6
LED Brand	CREE	CREE	CREE COB
LED Quantity	3pcs	3pcs	1pc
Rated Power	6W	3.5W	6W
Input Voltage	AC100-240V	AC100-240V	AC100-240V
Frequency Range	50/60Hz	50/60Hz	50/60Hz
Color	Single	Single	Single
Beam Angle	5° 8° 12.5° 20° 30° 45° 60°	15X30° 10X60°	20°
Control Mode	CC	CC	CC
Life	50000H	50000H	50000H
Protection Grade	IP66	IP66	IP66
Ambient Temperature	- 25°C ~ 50°C	- 25°C ~ 50°C	- 25°C ~ 50°C
Ambient Humidity	10% ~ 90%	10% ~ 90%	10% ~ 90%

# Flood Light Series

TL-1127F



## Specification

Product Code	TL-1127FC-1	TL-1127FA-1
LED Brand	CREE	CREE
LED Quantity	1pc	1pc
Rated Power	3W	1.5W
Input Voltage	AC100-240V/DC24V	AC100-240V/DC24V
Frequency Range	50/60Hz	50/60Hz
Color	Single	Single
Beam Angle	15° 28°	
Control Mode	CC	CC
Life	50000H	50000H
Protection Grade	IP66	IP66
Ambient Temperature	- 25°C ~ 50°C	- 25°C ~ 50°C
Ambient Humidity	10% ~ 90%	10% ~ 90%



## Flood Light Series

### TL-1127S



#### Specification

Product Code	TL-1127SC-1	TL-1127SA-1
LED Brand	CREE	CREE
LED Quantity	1pc	1pc
Rated Power	3W	1.5W
Input Voltage	AC100-240V//DC24V	AC100-240V//DC24V
Frequency Range	50/60Hz	50/60Hz
Color	Single	Single
Beam Angle	15° 28°	
Control Mode	CC	CC
Life	50000H	50000H
Protection Grade	IP66	IP66
Ambient Temperature	- 25°C ~ 50°C	- 25°C ~ 50°C
Ambient Humidity	10% ~ 90%	10% ~ 90%

## Flood Light Series

### TL-1127C



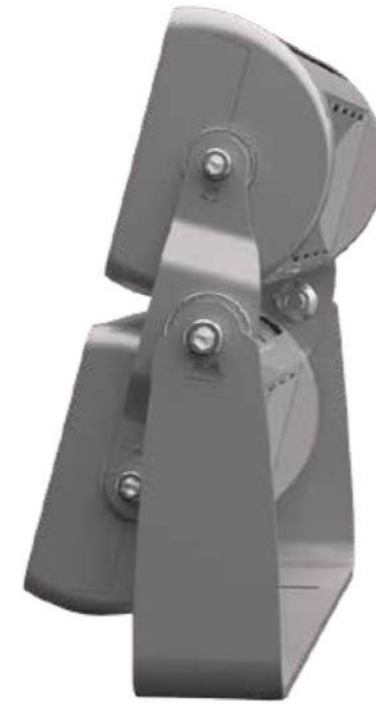
#### Specification

Product Code	TL-1127CC-1	TL-1127CA-1
LED Brand	CREE	CREE
LED Quantity	1pc	1pc
Rated Power	3W	1.5W
Input Voltage	AC100-240V//DC24V	AC100-240V//DC24V
Frequency Range	50/60Hz	50/60Hz
Color	Single	Single
Beam Angle	15° 28°	
Control Mode	CC	CC
Life	50000H	50000H
Protection Grade	IP66	IP66
Ambient Temperature	- 25°C ~ 50°C	- 25°C ~ 50°C
Ambient Humidity	10% ~ 90%	10% ~ 90%

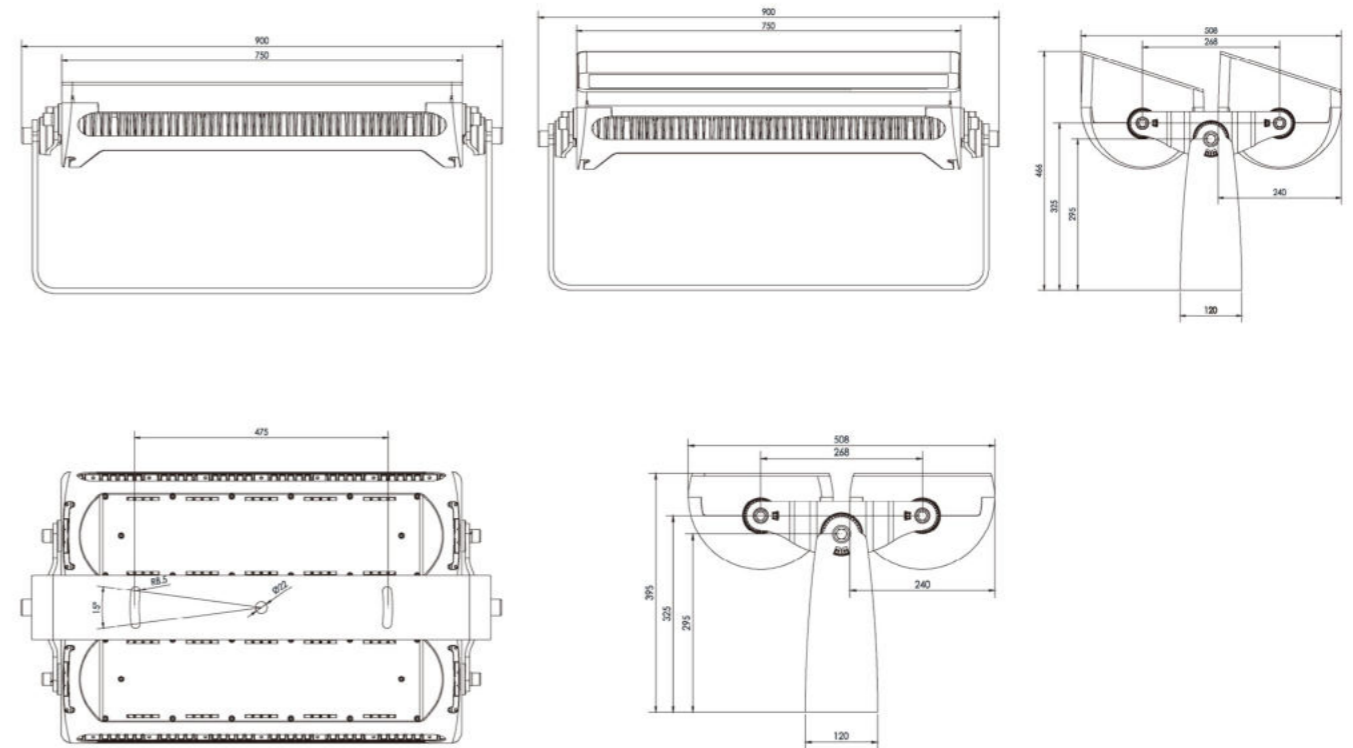


# Flood Light Series

TL-1272U



TL-1272S

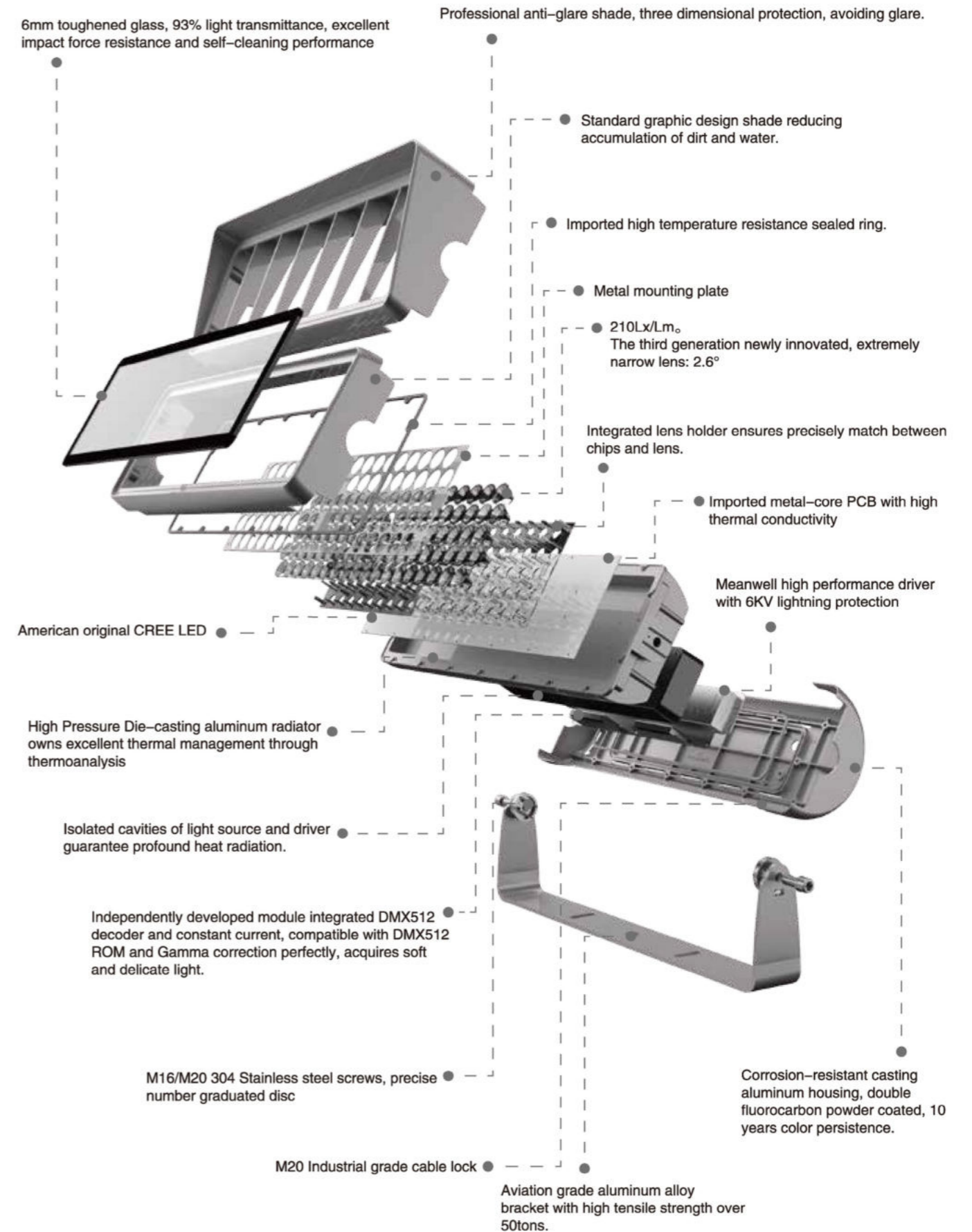


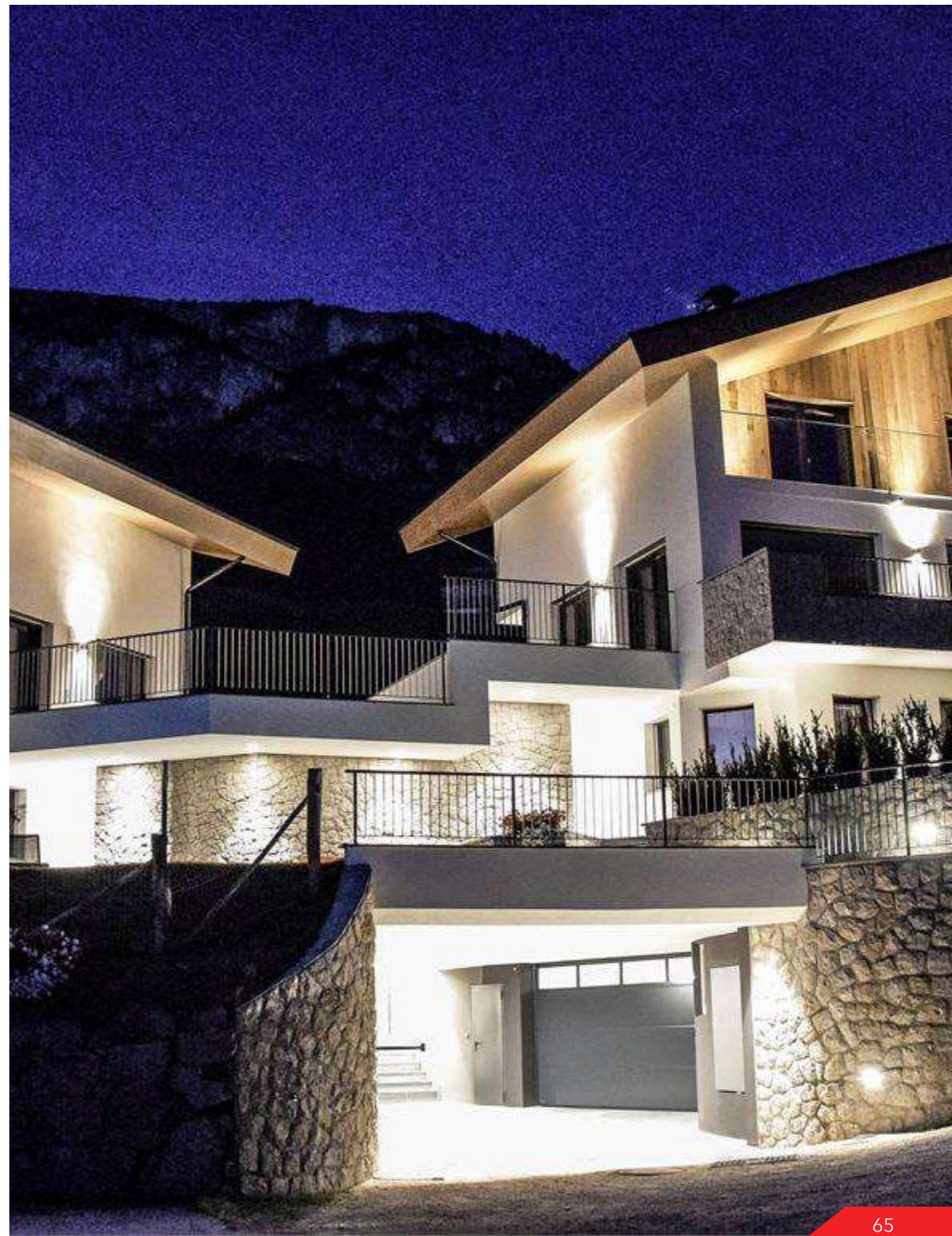
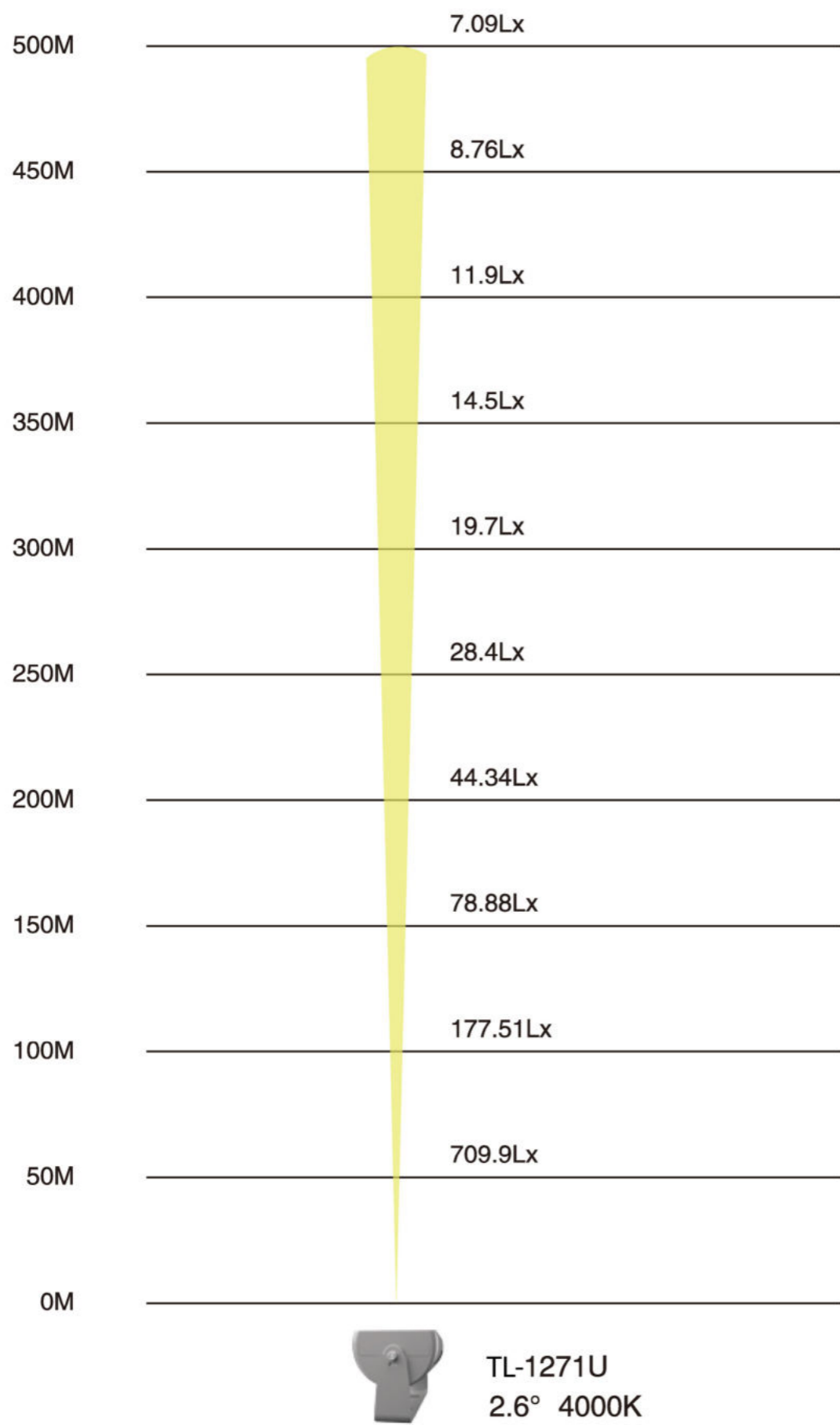
## Product Introduction

- 1、 Patent owned design, fashion and beautiful appearance, adopt isolated two bodies design could have the separate heat dissipation fully ensure the stability and long lifespan of LED light.
- 2、 With multiway rotate function of "U" support available to meet the various occasions demands for outdoor projects.
- 3、 Light body adopts high pressure die-casting aluminum, surface with fluorine carbon spraying. Lampshade adopts high strength toughened glass, resist the impact and friction.
- 4、 Adopt American CREE original LED light source, high flus output, excellent consistency of light color; Constant current driver with PWM gray control installed inside, RGB gray level reaches to 65,536 degree equally, make the light result much beautiful.
- 5、 Powerful DMX512 interface adopts high reliable bus connect, all has the function of automatic addressing.

## Specification

Product Code	TL-1272UD-180	TL-1272UC-180	TL-1272UF-80
Led Brand	CREE/LUMILEDS	CREE/LUMILEDS	CREE RGBW 4 in 1
Led Quantity	180pcs	180pcs ( 48R 48G 48B 36W )	80pcs
Rared Power	600W	420W	720W
Input Voltage	AC100-305V	AC100-305V	AC100-305V
Frequency Range	50/60Hz	50/60Hz	50/60Hz
Color	Single	RGBW/RGBA/Single	RGBW
Beam Range	2.6° 3.5° 12° 20° 30° 60° 10X70° 5X20°		8° 25° 10X45°
Control Mode	CC	DMX512/RDM/CC	DMX512/RDM
Life	50000H	50000H	50000H
Protection Grade	IP66	IP66	IP66
Ambient Temperature	-25℃~50℃	-25℃~50℃	-25℃~50℃
Ambient Humidity	10%~90%	10%~90%	10%~90%



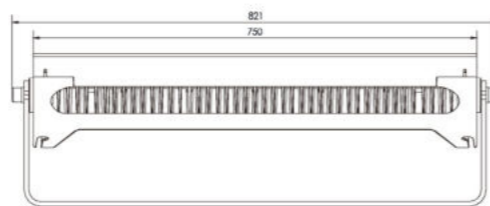
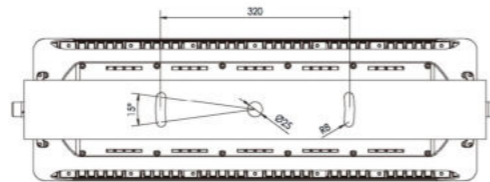
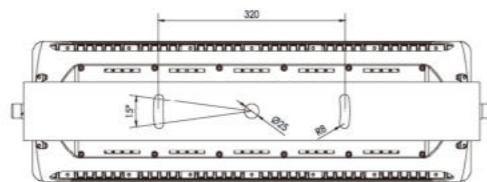


# Flood Light Series

TL-1271U



TL-1271S



## Product Introduction

- 1、 Patent owned design, fashion and beautiful appearance, adopt isolated two bodies design could have the separate heat dissipation fully ensure the stability and long lifespan of LED light.
- 2、 With multiway rotate function of "U" support available to meet the various occasions demands for outdoor projects.
- 3、 Light body adopts high pressure die-casting aluminum, surface with fluorine carbon spraying. Lampshade adopts high strength toughened glass, resist the impact and friction.
- 4、 Adopt American CREE original LED light source, high flus output, excellent consistency of light color; Constant current driver with PWM gray control installed inside, RGB gray level reaches to 65,536 degree equally, make the light result much beautiful.
- 5、 Powerful DMX512 interface adopts high reliable bus connect, all has the function of automatic addressing.

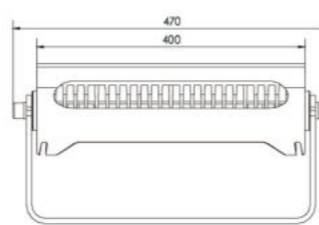
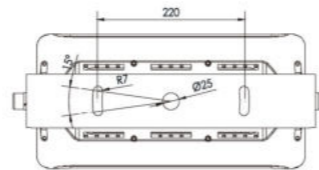
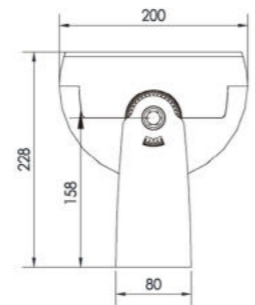
## Specification

Product Code	TL-1271UD-90	TL-1271UC-90	TL-1271UF-40
Led Brand	CREE/LUMILEDS	CREE/LUMILEDS	CREE RGBW 4 in 1
Led Quantity	90pcs	90pcs ( 24R 24G 24B 18W)	40pcs
Rared Power	300W	210W	360W
Input Voltage	AC100-305V	AC100-305V	AC100-305V
Frequency Range	50/60Hz	50/60Hz	50/60Hz
Color	Single	RGBW/RGBA/Single	RGBW
Beam Angle	2.6° 3.5° 12° 20° 30° 60° 10X70° 5X20°		8° 25° 10X45°
Control Mode	CC	DMX512/RDM/CC	DMX512/RDM
Life	50000H	50000H	50000H
Protection Grade	IP66	IP66	IP66
Ambient Temperature	-25℃~50℃	-25℃~50℃	-25℃~50℃
Ambient Humidity	10%~90%	10%~90%	10%~90%

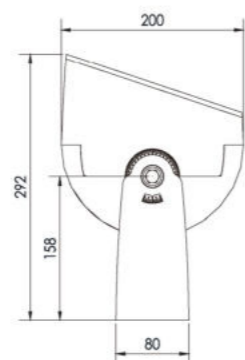
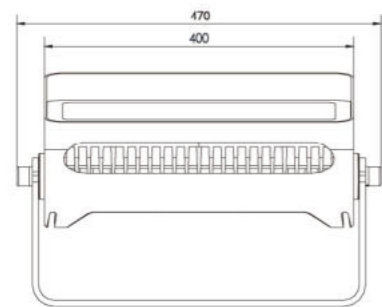


# Flood Light Series

TL-1278U



TL-1278S

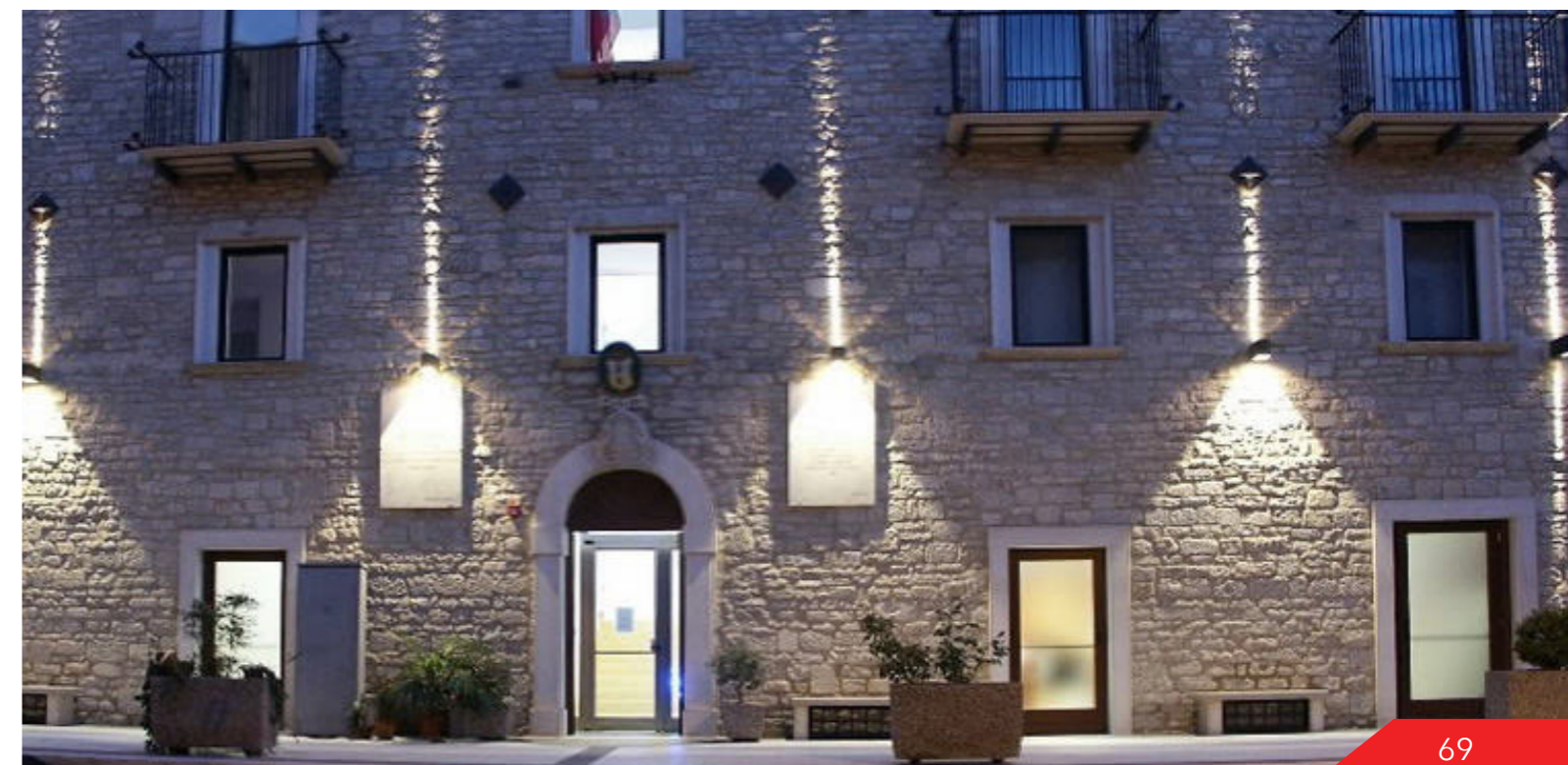


## Product Introduction

- 1、 Patent owned design, fashion and beautiful appearance, adopt isolated two bodies design could have the separate heat dissipation fully ensure the stability and long lifespan of LED light.
- 2、 With multiway rotate function of "U" support available to meet the various occasions demands for outdoor projects.
- 3、 Light body adopts high pressure die-casting aluminum, surface with fluorine carbon spraying. Lampshade adopts high strength toughened glass, resist the impact and friction.
- 4、 Adopt American CREE original LED light source, high flus output, excellent consistency of light color; Constant current driver with PWM gray control installed inside, RGB gray level reaches to 65,536 degree equally, make the light result much beautiful.
- 5、 Powerful DMX512 interface adopts high reliable bus connect, all has the function of automatic addressing.

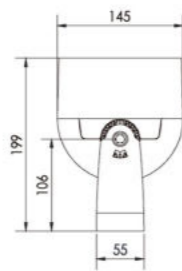
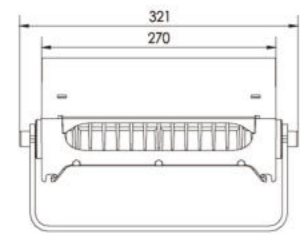
## Specification

Product Code	TL-1278UD-36	TL-1278UC-36	TL-1278UR-36	TL-1278UF-18
Led Brand	LUMILEDS/CREE	LUMILEDS/CREE	LUMILEDS/CREE	CREE RGBW 4 in 1
Led Quantity	36pcs	36pcs ( 9R 9G 9B 9W)	36pcs	18pcs
Rared Power	150W	90W	150W	150W
Input Voltage	AC100-305V	AC100-305V	AC100-305V	AC100-305V
Frequency Range	50/60Hz	50/60Hz	50/60Hz	50/60Hz
Color	Single	RGBW/RGBA/Single	RGBW	RGBW
Beam Angle	2.6° 3.5° 12° 20° 30° 60° 10X70° 5X20°			8° 25° 10X45°
Control Mode	CC	DMX512/RDM/CC	Bluetooth/DMX512	DMX512/RDM
Life	50000H	50000H	50000H	50000H
Protection Grade	IP66	IP66	IP66	IP66
Ambient Temperature	-25℃~50℃	-25℃~50℃	-25℃~50℃	-25℃~50℃
Ambient Humidity	10%~90%	10%~90%	10%~90%	10%~90%

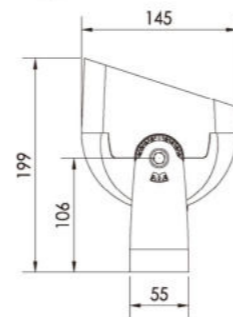
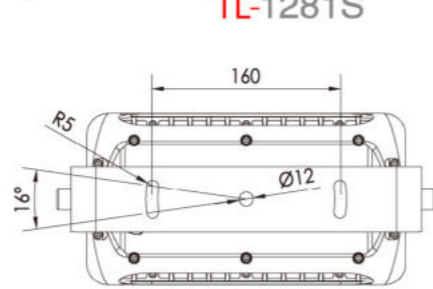


# Flood Light Series

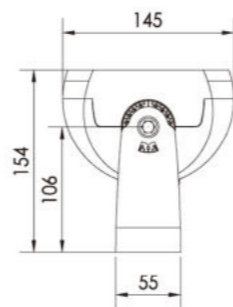
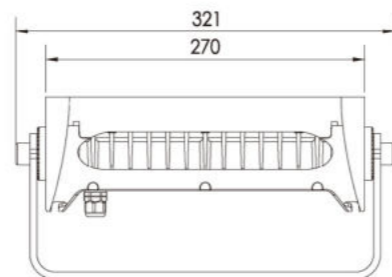
## TL-1281U



TL-1281S



TL-1281G



## Product Introduction

- 1、 Patent owned design, fashion and beautiful appearance, adopt isolated two bodies design could have the separate heat dissipation fully ensure the stability and long lifespan of LED light.
- 2、 With multiway rotate function of "U" support available to meet the various occasions demands for outdoor projects.
- 3、 Light body adopts high pressure die-casting aluminum, surface with fluorine carbon spraying. Lampshade adopts high strength toughened glass, resist the impact and friction.
- 4、 Adopt American CREE original LED light source, high flus output, excellent consistency of light color; Constant current driver with PWM gray control installed inside, RGB gray level reaches to 65,536 degree equally, make the light result much beautiful.
- 5、 Powerful DMX512 interface adopts high reliable bus connect, all has the function of automatic addressing.

## Specification

Product Code	TL-1281UE-12	TL-1281UD-12	TL-1281UF-12
Led Brand	CREE XP-L/XP-G3	LUMILEDS	CREE RGBW 4 in 1
Led Quantity	12pcs	12pcs	12pcs
Rared Power	56W	40W	72W
Input Voltage	AC100-305V	AC100-305V	DC36V/AC00-305V
Frequency Range	50/60Hz	50/60Hz	50/60Hz
Color	Single	Single	RGBW
Beam Angle	3.5° 12° 20° 30° 60° 10X70° 5X20°	2.6°	15° 20° 30° 15X60°
Control Mode	CC	CC	DMX512/RDM
Life	50000H	50000H	50000H
Protection Grade	IP66	IP66	IP66
Ambient Temperature	-25℃~50℃	-25℃~50℃	-25℃~50℃
Ambient Humidity	10%~90%	10%~90%	10%~90%

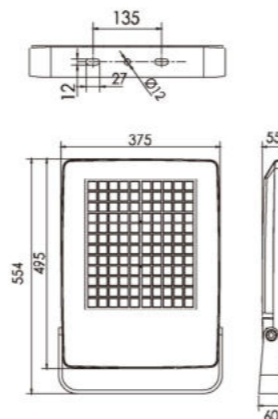


# Flood Light Series

TL-1258U



TL-1258S

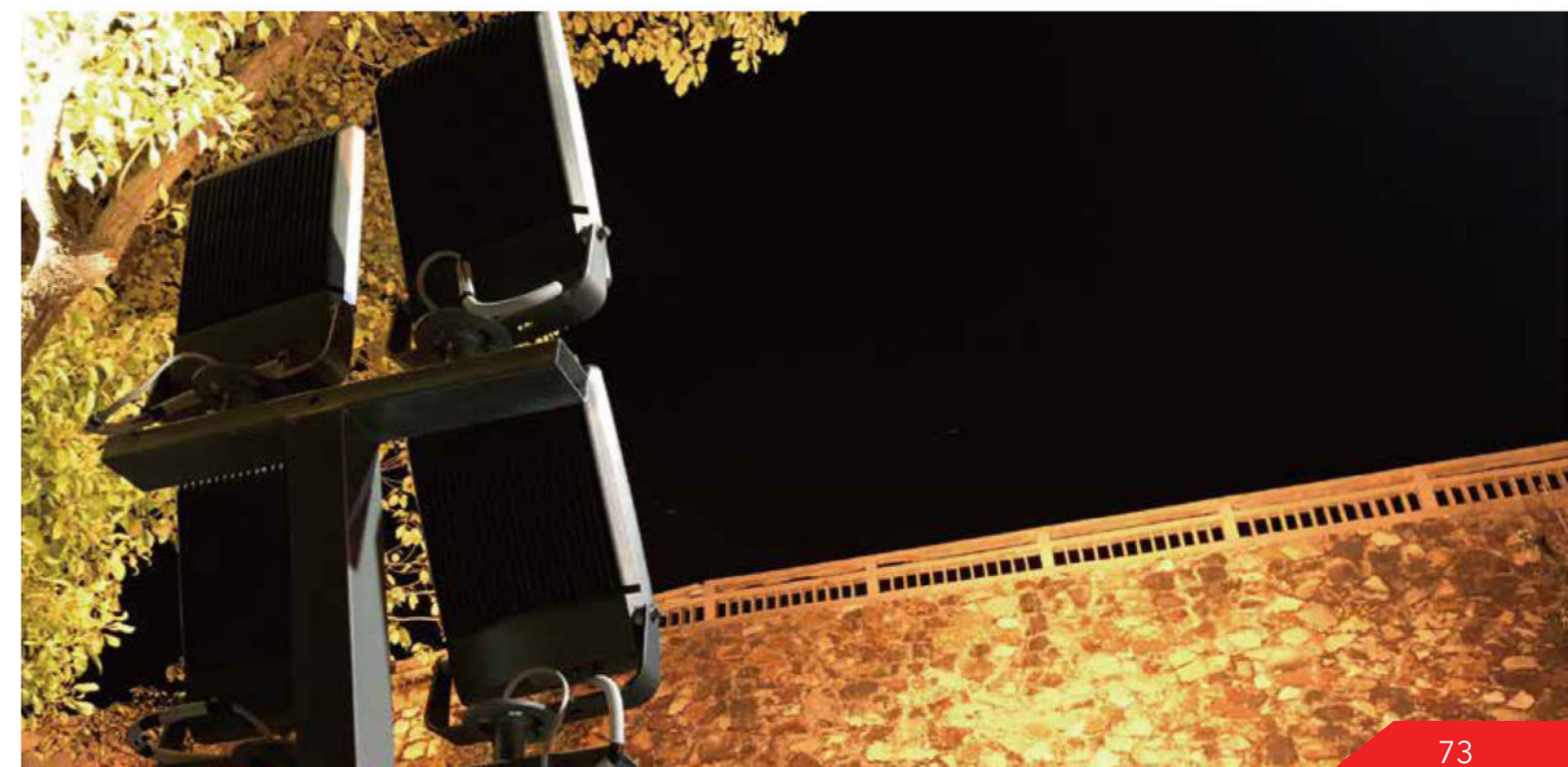


## Product Introduction

- 1、 Patent owned design, fashion and beautiful appearance, adopt isolated two bodies design could have the separate heat dissipation fully ensure the stability and long lifespan of LED light.
- 2、 With multiway rotate function of "U" support available to meet the various occasions demands for outdoor projects.
- 3、 Light body adopts high pressure die-casting aluminum, surface with fluorine carbon spraying. Lampshade adopts high strength toughened glass, resist the impact and friction.
- 4、 Adopt American CREE original LED light source, high flus output, excellent consistency of light color; Constant current driver with PWM gray control installed inside, RGB gray level reaches to 65,536 degree equally, make the light result much beautiful.
- 5、 Powerful DMX512 interface adopts high reliable bus connect, all has the function of automatic addressing.

## Specification

Product Code	TL-1258UB-120	TL-1258UB-90	TL-1258UB-70
LED Brand	CREE	CREE	CREE
LED Quantity	120pcs	90pcs	70pcs
Rated Power	225W	185W	150W
Input Voltage	DC36V/AC90-265V	DC36V/AC90-265V	AC180-305V
Frequency Range	50/60Hz	50/60Hz	50/60Hz
Color	RGB/Single	RGB/Single	Single
Beam Angle	5° 8° 12.5° 20° 30° 60° 15X30° 10X60°		
Control Mode	DMX512/CC	DMX512/CC	CC
Life	50000H	50000H	50000H
Protection Grade	IP66	IP66	IP66
Ambient Temperature	- 25℃ ~ 50℃	- 25℃ ~ 50℃	- 25℃ ~ 50℃
Ambient Humidity	10% ~ 90%	10% ~ 90%	10% ~ 90%



# Flood Light Series

TL-1260U



TL-1260US

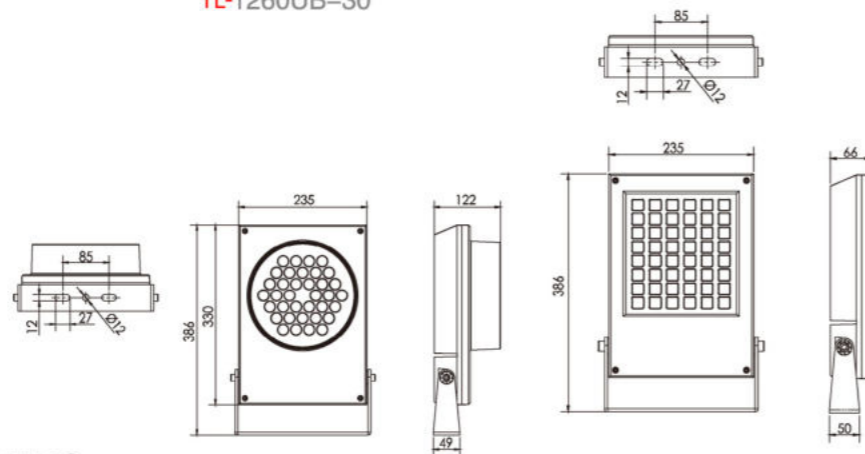


TL-1260UB-30F

TL-1260UB-50  
TL-1260UB-30



TL-1260G



## Product Introduction

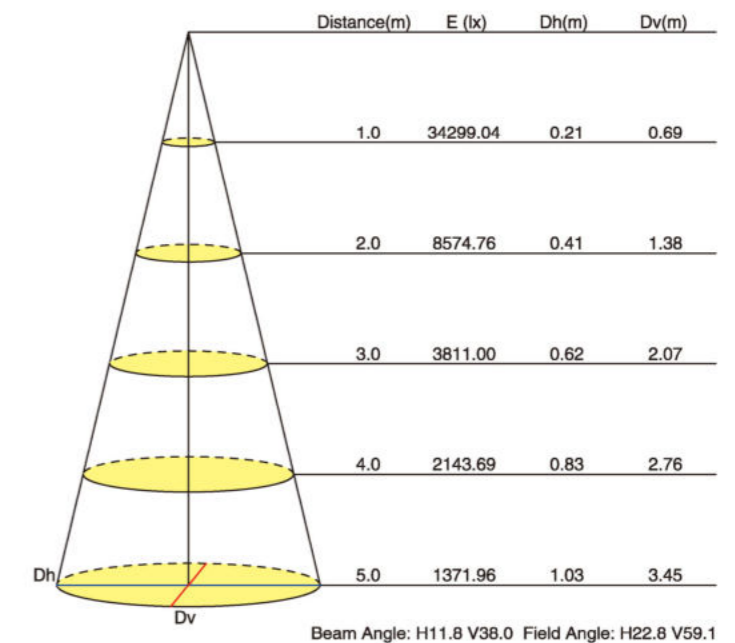
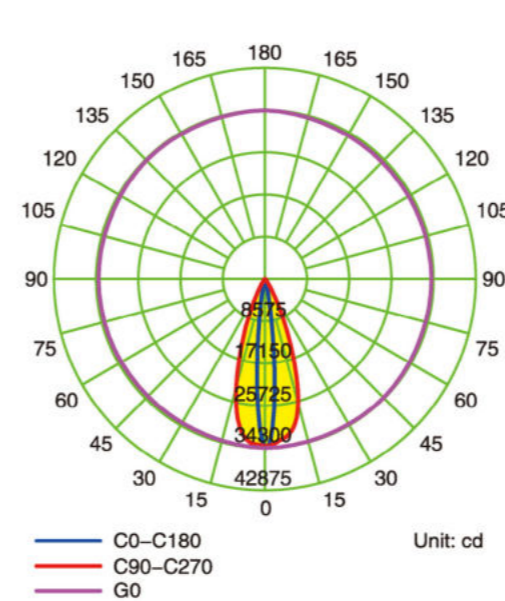
- 1、 Patent owned design, fashion and beautiful appearance, adopt isolated two bodies design could have the separate heat dissipation fully ensure the stability and long lifespan of LED light.
- 2、 With multiway rotate function of round support or "U" support available to meet the various occasions demands for outdoor projects.
- 3、 Light body adopts high pressure die-casting aluminum, surface with fluorine carbon spraying. Lampshade adopts high strength toughened glass, resist the impact and friction.
- 4、 Adopt American CREE original LED light source, high flus output, excellent consistency of light color; Constant current driver with PWM gray control installed inside, RGB gray level reaches to 65,536 degree equally, make the light result much beautiful.
- 5、 Powerful DMX512 interface adopts high reliable bus connect, all has the function of automatic addressing.

## Specification

Product Code	TL-1260UC-50	TL-1260UB-50	TL-1260UB-30	TL-1260UB-30F
Led Brand	OSRAM	CREE	CREE	CREE
Led Quantity	48pcs	48pcs	30pcs	30pcs
Rared Power	120W	102W/82W	60W	60W
Input Voltage	AC200-240V	DC36V/AC90-265V	DC24V/AC90-265V	AC90-265V
Frequency Range	50/60Hz	50/60Hz	50/60Hz	50/60Hz
Color	Single	RGB/Single	RGBW/Single	Single
Beam Angle	5° 8° 12.5° 20° 30° 48° 60° 15X35° 10X60°			120X70°
Control Mode	CC	DMX512/CC	DMX512/CC	CC
Life	50000H	50000H	50000H	50000H
Protection Grade	IP66	IP66	IP66	IP66
Ambient Temperature	-25℃~50℃	-25℃~50℃	-25℃~50℃	-25℃~50℃
Ambient Humidity	10%~90%	10%~90%	10%~90%	10%~90%

## Distribution Curve Flux (SBC Case)

TL-1260UB-50



# Flood Light Series

TL-1260F



TL-1260FB-30F



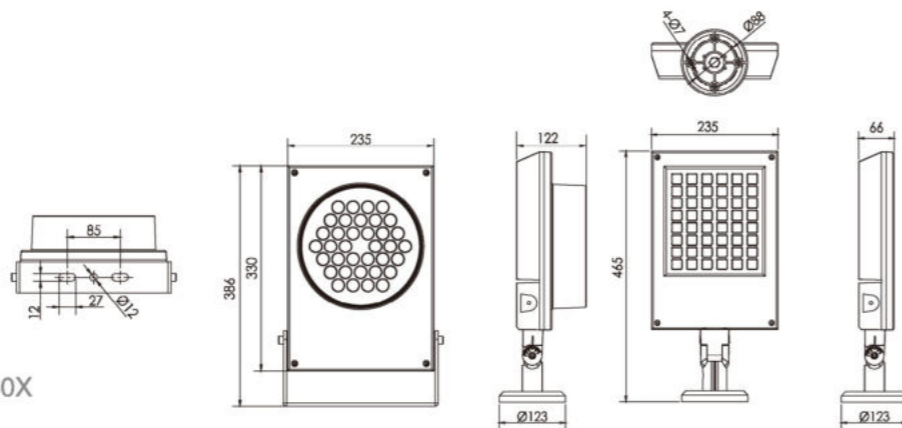
TL-1260FS



TL-1260FB-50  
TL-1260FB-30



TL-1260X

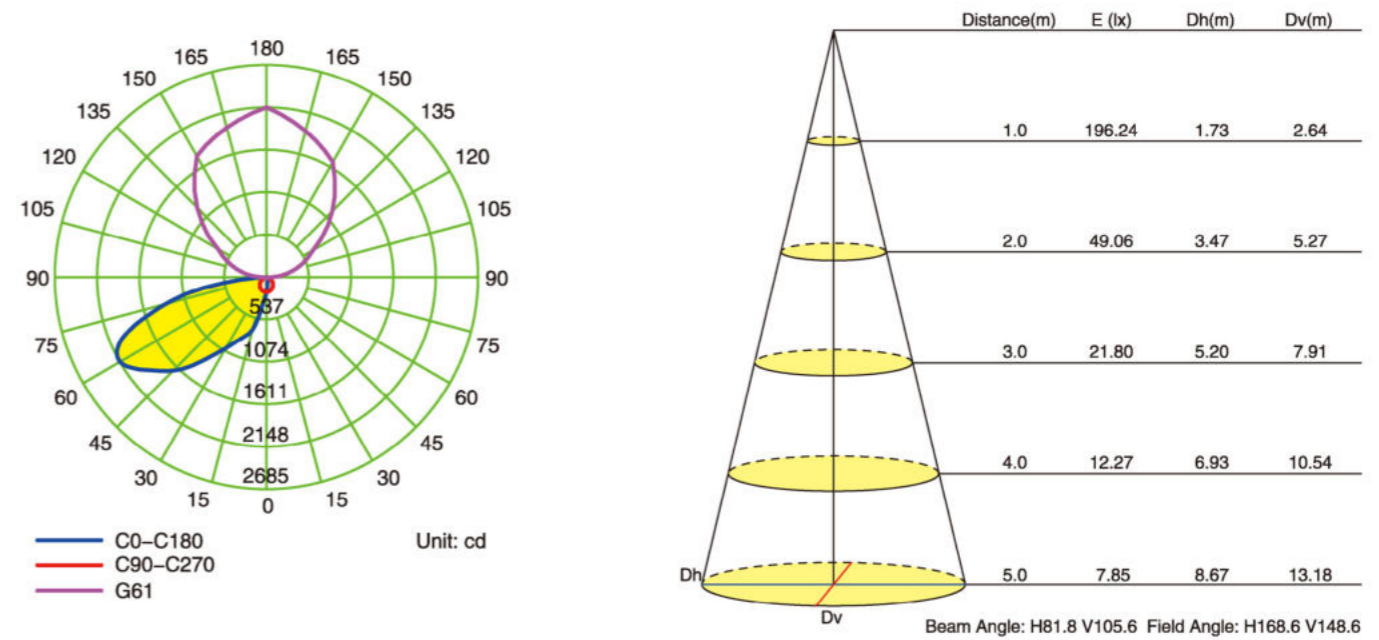


## Specification

Product Code	TL-1260FC-50	TL-1260FB-50	TL-1260FB-30	TL-1260FB-30F
Led Brand	OSRAM	CREE	CREE	CREE
Led Quantity	48pcs	48pcs	30pcs	30pcs
Rared Power	120W	102W/82W	60W	60W
Input Voltage	AC90-265V	AC90-265V	AC90-265V	AC90-265V
Frequency Range	50/60Hz	50/60Hz	50/60Hz	50/60Hz
Color	Single	Single	Single	Single
Beam Angle	5° 8° 12.5° 20° 30° 48° 60° 15X35°		10X60°	120X70°
Control Mode	CC	CC	CC	CC
Life	50000H	50000H	50000H	50000H
Protection Grade	IP66	IP66	IP66	IP66
Ambient Temperature	-25℃~50℃	-25℃~50℃	-25℃~50℃	-25℃~50℃
Ambient Humidity	10%~90%	10%~90%	10%~90%	10%~90%

## Distribution Curve Flux (SBC Case)

TL-1260FB-30



# Flood Light Series

TL-1262U

## Specification

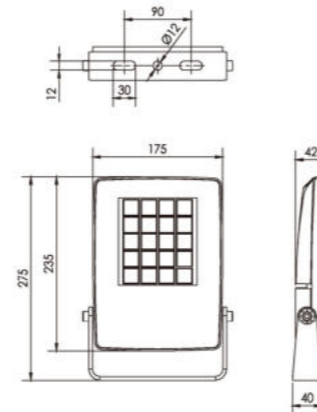
Product Code	TL-1262UB-20	TL-1262UB-18	TL-1262UB-12	TL-1262UB-28F
LED Brand	CREE	CREE	CREE	NICHIA/LUMILEDS
LED Quantity	20pcs	18pcs	12pcs	28pcs
Rated Power	36W	30W	22W	30W
Input Voltage	AC90-265V	DC24V	DC24V /AC90-265V	AC90-265V
Frequency Range	50/60Hz	/	50/60Hz	50/60Hz
Color	Single	RGB/Single	RGB/Single	Single
Beam Angle	5° 8° 12.5° 20° 30° 48° 60° 15X30° 10X60°			120X70°
Control Model	CC	DMX512/CC	DMX512/CC	CC
Life	50000H	50000H	50000H	50000H
Protection Grade	IP66	IP66	IP66	IP66
Ambient Temperature	- 25°C ~ 50°C	- 25°C ~ 50°C	- 25°C ~ 50°C	- 25°C ~ 50°C
Ambient Humidity	10%~90%	10%~90%	10%~90%	10% ~ 90%



TL-1262UB-20

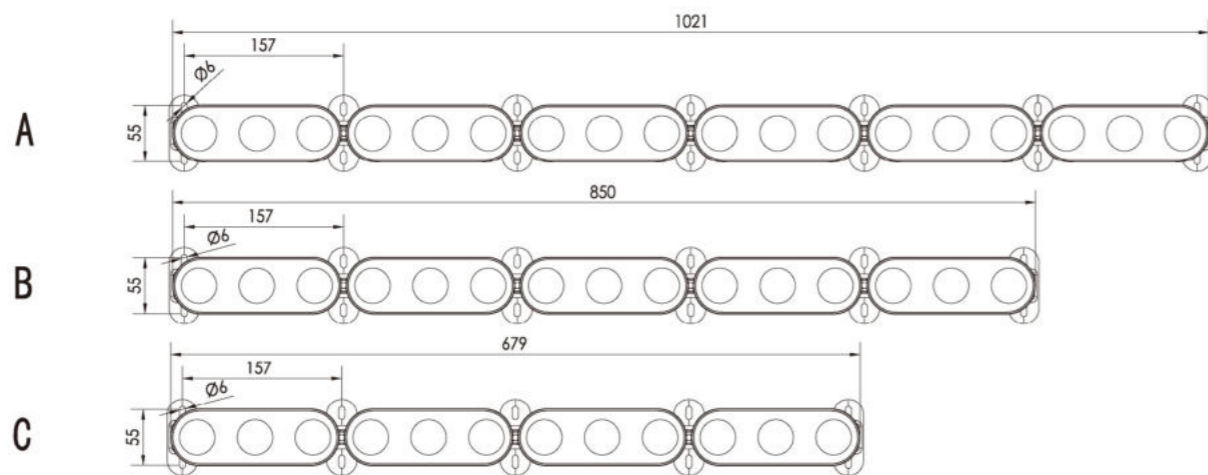


TL-1262UB-28F



# Flood Light Series

TL-1318

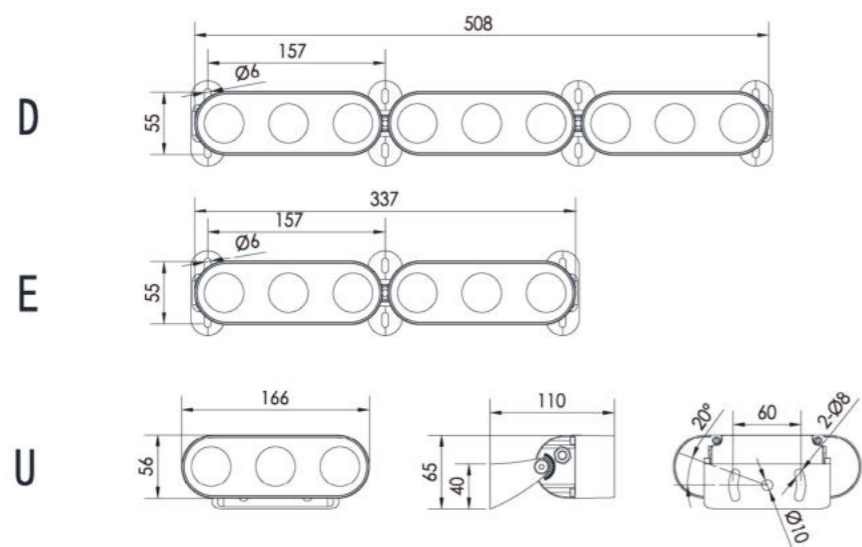


## Specification

Product Code	TL-1318AE-18	TL-1318AD-18	TL-1318AF-18	TL-1318AJ-18
LED Brand	CREE XP-L	CREE XP-G3	CREE RGBW 4 in 1	OSRAM
LED Quantity	18pcs	18pcs	18pcs	18pcs
Rared Power	90W	72W	144W	72W
Input Voltage	AC100-240V/DC24V	AC100-240V/DC24V	DC24V	DC24V
Frequency Range	50/60Hz	50/60Hz	/	/
Color	Single	Single	RGBW	RGBW
Beam Angle	2.6° 3.5° 12° 20° 30° 60° 10X70° 5X20°		15° 20° 30° 15X60°	10° 20° 30° 15X60°
Control Mode	CC	CC	DMX512/RDM	DMX512/RDM
Life	50000H	50000H	50000H	50000H
Protection Grade	IP66	IP66	IP66	IP66
Ambient Temperature	-25℃~50℃	-25℃~50℃	-25℃~50℃	-25℃~50℃
Ambient Humidity	10% ~ 90%	10% ~ 90%	10% ~ 90%	10% ~ 90%
Product Code	TL-1318BE-15	TL-1318BD-15	TL-1318BF-15	TL-1318BJ-15
LED Brand	CREE XP-L	CREE XP-G3	CREE RGBW 4 in 1	OSRAM
LED Quantity	15pcs	15pcs	15pcs	15pcs
Rared Power	75W	60W	120W	60W
Input Voltage	AC100-240V/DC24V	AC100-240V/DC24V	DC24V	DC24V
Frequency Range	50/60Hz	50/60Hz	/	/
Color	Single	Single	RGBW	RGBW
Beam Angle	2.6° 3.5° 12° 20° 30° 60° 10X70° 5X20°		15° 20° 30° 15X60°	10° 20° 30° 15X60°
Control Mode	CC	CC	DMX512/RDM	DMX512/RDM
Life	50000H	50000H	50000H	50000H
Protection Grade	IP66	IP66	IP66	IP66
Ambient Temperature	-25℃~50℃	-25℃~50℃	-25℃~50℃	-25℃~50℃
Ambient Humidity	10% ~ 90%	10% ~ 90%	10% ~ 90%	10% ~ 90%
Product Code	TL-1318CE-12	TL-1318CD-12	TL-1318CF-12	TL-1318CJ-12
LED Brand	CREE XP-L	CREE XP-G3	CREE RGBW 4 in 1	OSRAM
LED Quantity	12pcs	12pcs	12pcs	12pcs
Rared Power	60W	48W	96W	48W
Input Voltage	AC100-240V/DC24V	AC100-240V/DC24V	DC24V	DC24V
Frequency Range	50/60Hz	50/60Hz	/	/
Color	Single	Single	RGBW	RGBW
Beam Angle	2.6° 3.5° 12° 20° 30° 60° 10X70° 5X20°		15° 20° 30° 15X60°	10° 20° 30° 15X60°
Control Mode	CC	CC	DMX512/RDM	DMX512/RDM
Life	50000H	50000H	50000H	50000H
Protection Grade	IP66	IP66	IP66	IP66
Ambient Temperature	-25℃~50℃	-25℃~50℃	-25℃~50℃	-25℃~50℃
Ambient Humidity	10% ~ 90%	10% ~ 90%	10% ~ 90%	10% ~ 90%

# Flood Light Series

TL-1318U

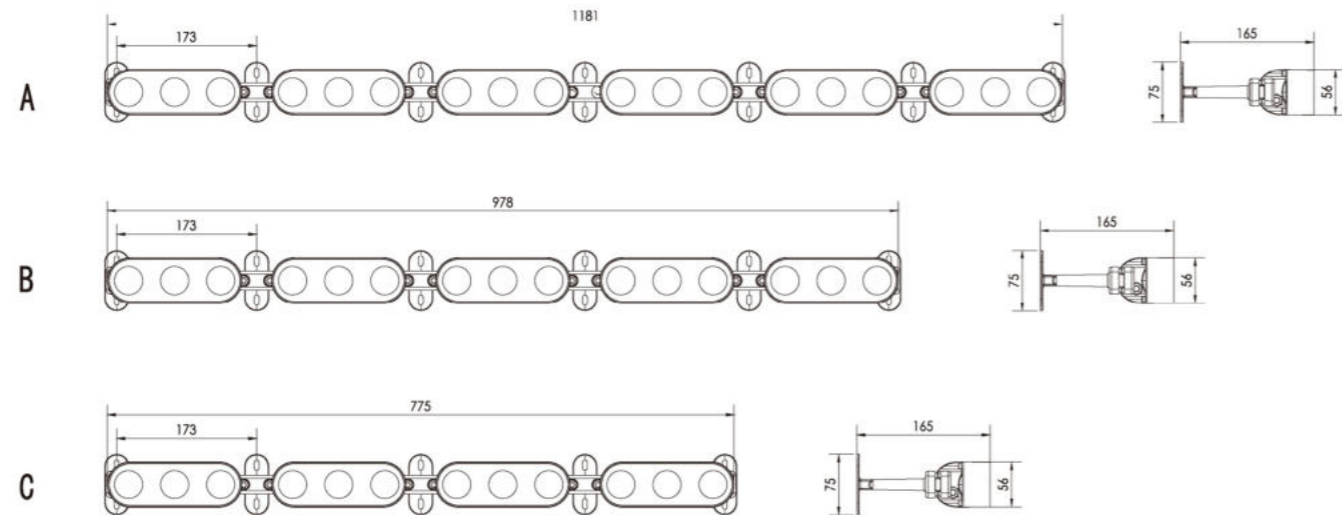


## Specification

Product Code	TL-1318DE-9	TL-1318DD-9	TL-1318DF-9	TL-1318DJ-9
LED Brand	CREE XP-L	CREE XP-G3	CREE RGBW 4 in 1	OSRAM
LED Quantity	9pcs	9pcs	9pcs	9pcs
Rared Power	45W	36W	72W	36W
Input Voltage	AC100-240V/DC24V	AC100-240V/DC24V	DC24V	DC24V
Frequency Range	50/60Hz	50/60Hz	/	/
Color	Single	Single	RGBW	RGBW
Beam Angle	2.6° 3.5° 12° 20° 30° 60° 10X70° 5X20°		15° 20° 30° 15X60°	10° 20° 30° 15X60°
Control Mode	CC	CC	DMX512/RDM	DMX512/RDM
Life	50000H	50000H	50000H	50000H
Protection Grade	IP66	IP66	IP66	IP66
Ambient Temperature	-25℃~50℃	-25℃~50℃	-25℃~50℃	-25℃~50℃
Ambient Humidity	10% ~ 90%	10% ~ 90%	10% ~ 90%	10% ~ 90%
Product Code	TL-1318EE-6	TL-1318ED-6	TL-1318EF-6	TL-1318EJ-6
LED Brand	CREE XP-L	CREE XP-G3	CREE RGBW 4 in 1	OSRAM
LED Quantity	6pcs	6pcs	6pcs	6pcs
Rared Power	30W	24W	48W	24W
Input Voltage	AC100-240V/DC24V	AC100-240V/DC24V	DC24V	DC24V
Frequency Range	50/60Hz	50/60Hz	/	/
Color	Single	Single	RGBW	RGBW
Beam Angle	2.6° 3.5° 12° 20° 30° 60° 10X70° 5X20°		15° 20° 30° 15X60°	15° 20° 30° 15X60°
Control Mode	CC	CC	DMX512/RDM	DMX512/RDM
Life	50000H	50000H	50000H	50000H
Protection Grade	IP66	IP66	IP66	IP66
Ambient Temperature	-25℃~50℃	-25℃~50℃	-25℃~50℃	-25℃~50℃
Ambient Humidity	10% ~ 90%	10% ~ 90%	10% ~ 90%	10% ~ 90%
Product Code	TL-1318UE-3	TL-1318UD-3	TL-1318UF-3	TL-1318UJ-3
LED Brand	CREE XP-L	CREE XP-G3	CREE RGBW 4 in 1	OSRAM
LED Quantity	3pcs	3pcs	3pcs	3pcs
Rared Power	15W	12W	24W	12W
Input Voltage	AC100-240V/DC24V	AC100-240V/DC24V	DC24V	DC24V
Frequency Range	50/60Hz	50/60Hz	/	/
Color	Single	Single	RGBW	RGBW
Beam Angle	2.6° 3.5° 12° 20° 30° 60° 10X70° 5X20°		15° 20° 30° 15X60°	15° 20° 30° 15X60°
Control Mode	CC	CC	DMX512/RDM	DMX512/RDM
Life	50000H	50000H	50000H	50000H
Protection Grade	IP66	IP66	IP66	IP66
Ambient Temperature	-25℃~50℃	-25℃~50℃	-25℃~50℃	-25℃~50℃
Ambient Humidity	10% ~ 90%	10% ~ 90%	10% ~ 90%	10% ~ 90%

# Flood Light Series

TL-1319

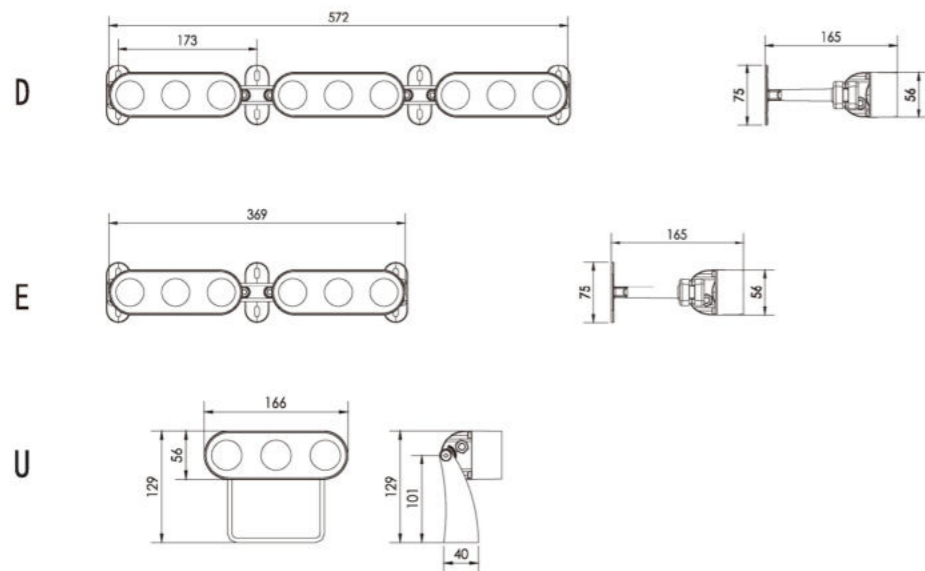


## Specification

Product Code	TL-1319AE-18	TL-1319AD-18	TL-1319AF-18	TL-1319AJ-18
LED Brand	CREE XP-L	CREE XP-G3	CREE RGBW 4 in 1	OSRAM
LED Quantity	18pcs	18pcs	18pcs	18pcs
Rared Power	90W	72W	144W	72W
Input Voltage	AC100-240V/DC24V	AC100-240V/DC24V	DC24V	DC24V
Frequency Range	50/60Hz	50/60Hz	/	/
Color	Single	Single	RGBW	RGBW
Beam Angle	2.6° 3.5° 12° 20° 30° 60° 10X70° 5X20°	2.6° 3.5° 12° 20° 30° 60° 10X70° 5X20°	15° 20° 30° 15X60°	10° 20° 30° 15X60°
Control Mode	CC	CC	DMX512/RDM	DMX512/RDM
Life	50000H	50000H	50000H	50000H
Protection Grade	IP66	IP66	IP66	IP66
Ambient Temperature	-25℃~50℃	-25℃~50℃	-25℃~50℃	-25℃~50℃
Ambient Humidity	10% ~ 90%	10% ~ 90%	10% ~ 90%	10% ~ 90%
Product Code	TL-1319BE-15	TL-1319BD-15	TL-1319BF-15	TL-1319BJ-15
LED Brand	CREE XP-L	CREE XP-G3	CREE RGBW 4 in 1	OSRAM
LED Quantity	15pcs	15pcs	15pcs	15pcs
Rared Power	75W	60W	120W	60W
Input Voltage	AC100-240V/DC24V	AC100-240V/DC24V	DC24V	DC24V
Frequency Range	50/60Hz	50/60Hz	/	/
Color	Single	Single	RGBW	RGBW
Beam Angle	2.6° 3.5° 12° 20° 30° 60° 10X70° 5X20°	2.6° 3.5° 12° 20° 30° 60° 10X70° 5X20°	15° 20° 30° 15X60°	10° 20° 30° 15X60°
Control Mode	CC	CC	DMX512/RDM	DMX512/RDM
Life	50000H	50000H	50000H	50000H
Protection Grade	IP66	IP66	IP66	IP66
Ambient Temperature	-25℃~50℃	-25℃~50℃	-25℃~50℃	-25℃~50℃
Ambient Humidity	10% ~ 90%	10% ~ 90%	10% ~ 90%	10% ~ 90%
Product Code	TL-1319CE-12	TL-1319CD-12	TL-1319CF-12	TL-1319CJ-12
LED Brand	CREE XP-L	CREE XP-G3	CREE RGBW 4 in 1	OSRAM
LED Quantity	12pcs	12pcs	12pcs	12pcs
Rared Power	60W	48W	96W	48W
Input Voltage	AC100-240V/DC24V	AC100-240V/DC24V	DC24V	DC24V
Frequency Range	50/60Hz	50/60Hz	/	/
Color	Single	Single	RGBW	RGBW
Beam Angle	2.6° 3.5° 12° 20° 30° 60° 10X70° 5X20°	2.6° 3.5° 12° 20° 30° 60° 10X70° 5X20°	15° 20° 30° 15X60°	10° 20° 30° 15X60°
Control Mode	CC	CC	DMX512/RDM	DMX512/RDM
Life	50000H	50000H	50000H	50000H
Protection Grade	IP66	IP66	IP66	IP66
Ambient Temperature	-25℃~50℃	-25℃~50℃	-25℃~50℃	-25℃~50℃
Ambient Humidity	10% ~ 90%	10% ~ 90%	10% ~ 90%	10% ~ 90%

## Flood Light Series

TL-1319U



## Specification

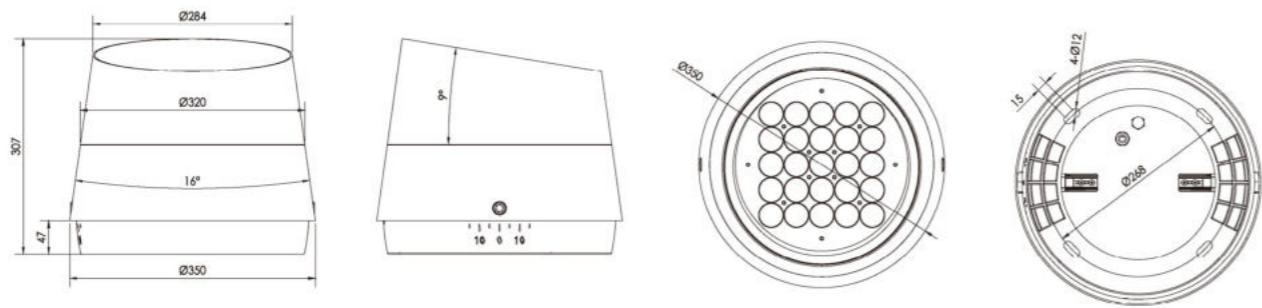
Product Code	TL-1319DE-9	TL-1319DD-9	TL-1319DF-9	TL-1319DJ-9
LED Brand	CREE XP-L	CREE XP-G3	CREE RGBW 4 in 1	OSRAM
LED Quantity	9pcs	9pcs	9pcs	9pcs
Rared Power	45W	36W	72W	36W
Input Voltage	AC100-240V/DC24V	AC100-240V/DC24V	DC24V	DC24V
Frequency Range	50/60Hz	50/60Hz	/	/
Color	Single	Single	RGBW	RGBW
Beam Angle	2.6° 3.5° 12° 20° 30° 60° 10X70° 5X20°		15° 20° 30° 15X60°	10° 20° 30° 15X60°
Control Mode	CC	CC	DMX512/RDM	DMX512/RDM
Life	50000H	50000H	50000H	50000H
Protection Grade	IP66	IP66	IP66	IP66
Ambient Temperature	-25℃~50℃	-25℃~50℃	-25℃~50℃	-25℃~50℃
Ambient Humidity	10% ~ 90%	10% ~ 90%	10% ~ 90%	10% ~ 90%
Product Code	TL-1319EE-6	TL-1319ED-6	TL-1319EF-6	TL-1319EJ-6
LED Brand	CREE XP-L	CREE XP-G3	CREE RGBW 4 in 1	OSRAM
LED Quantity	6pcs	6pcs	6pcs	6pcs
Rared Power	30W	24W	48W	24W
Input Voltage	AC100-240V/DC24V	AC100-240V/DC24V	DC24V	DC24V
Frequency Range	50/60Hz	50/60Hz	/	/
Color	Single	Single	RGBW	RGBW
Beam Angle	2.6° 3.5° 12° 20° 30° 60° 10X70° 5X20°		15° 20° 30° 15X60°	15° 20° 30° 15X60°
Control Mode	CC	CC	DMX512/RDM	DMX512/RDM
Life	50000H	50000H	50000H	50000H
Protection Grade	IP66	IP66	IP66	IP66
Ambient Temperature	-25℃~50℃	-25℃~50℃	-25℃~50℃	-25℃~50℃
Ambient Humidity	10% ~ 90%	10% ~ 90%	10% ~ 90%	10% ~ 90%
Product Code	TL-1318UE-3	TL-1319UD-3	TL-1319UF-3	TL-1319UJ-3
LED Brand	CREE XP-L	CREE XP-G3	CREE RGBW 4 in 1	OSRAM
LED Quantity	3pcs	3pcs	3pcs	3pcs
Rared Power	15W	12W	24W	12W
Input Voltage	AC100-240V/DC24V	AC100-240V/DC24V	DC24V	DC24V
Frequency Range	50/60Hz	50/60Hz	/	/
Color	Single	Single	RGBW	RGBW
Beam Angle	2.6° 3.5° 12° 20° 30° 60° 10X70° 5X20°		15° 20° 30° 15X60°	15° 20° 30° 15X60°
Control Mode	CC	CC	DMX512/RDM	DMX512/RDM
Life	50000H	50000H	50000H	50000H
Protection Grade	IP66	IP66	IP66	IP66
Ambient Temperature	-25℃~50℃	-25℃~50℃	-25℃~50℃	-25℃~50℃
Ambient Humidity	10% ~ 90%	10% ~ 90%	10% ~ 90%	10% ~ 90%



LED TREE  
LIGHT  
SERIES

# LED Tree Light

## TL-1132T



### Product Introduction

- 1、 Patent owned design, fashion and beautiful appearance, adopt isolated two bodies design could have the separate heat dissipation fully ensure the stability and long lifespan of LED light.
- 2、 With multiway rotate function of round support or "U" support available to meet the various occasions demands for outdoor projects.
- 3、 Light body adopts high pressure die-casting aluminum, surface with fluorine carbon spraying. Lampshade adopts high strength toughened glass, resist the impact and friction.
- 4、 Adopt American CREE original LED light source, high flus output, excellent consistency of light color; Constant current driver with PWM gray control installed inside, RGB gray level reaches to 65,536 degree equally, make the light result much beautiful.
- 5、 Powerful DMX512 interface adopts high reliable bus connect, all has the function of automatic addressing.

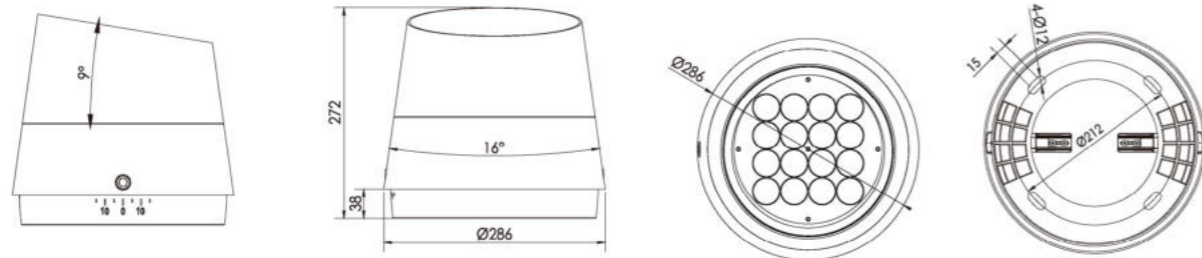
### Specification

Product Code	TL-1132TE-25	TL-1132TD-25	TL-1132TF-24	TL-1132TC-72
Led Brand	CREE XP-L	CREE XP-G3	CREE RGBW 4 in1	CREE XP-E2
Led Quantity	25pcs	25pcs	24pcs	72pcs
Rared Power	120W	85W	150W/200W	150W
Input Voltage	AC100-305V	AC100-305V	DC36V / AC100-305V	
Frequency Range	50/60Hz	50/60Hz	50/60Hz	50/60Hz
Color	Single	Single	RGBW	RGB
Beam Angle	2.6° 3.5° 12° 20° 30°	60° 10X70° 5X20	15° 20° 30° 15X60°	5° 8° 12.5° 30° 10X60°
Control Mode	CC/DALI/0-10V	CC/DALI/0-10V	DMX512/RDM	DMX512/RDM
Life	50000H	50000H	50000H	50000H
Protection Grade	IP66	IP66	IP66	IP66
Ambient Temperature	-25℃~50℃	-25℃~50℃	-25℃~50℃	-25℃~50℃
Ambient Humidity	10%~90%	10%~90%	10%~90%	10%~90%



## LED Tree Light

TL-1135T



## Product Introduction

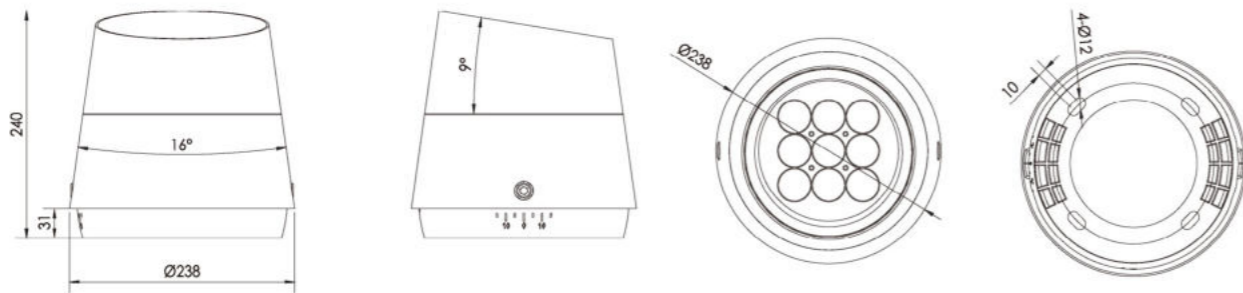
- 1、 Patent owned design, fashion and beautiful appearance, adopt isolated two bodies design, could have the separate heat dissipation fully ensure the stability and long lifespan of LED light.
- 2、 With multiway rotate function of round support or "U" support available to meet the various occasions demands for outdoor projects.
- 3、 Light body adopts high pressure die-casting aluminum, surface with fluorine carbon spraying. Lampshade adopts high strength toughened glass, resist the impact and friction.
- 4、 Adopt American CREE original LED light source, high flus output, excellent consistency of light color; Constant current driver with PWM gray control installed inside, RGB gray level reaches to 65,536 degree equally, make the light result much beautiful.
- 5、 Powerful DMX512 interface adopts high reliable bus connect, all has the function of automatic addressing.

## Specification

Product Code	TL-1135TE-16	TL-1135TD-16	TL-1135TF-16	TL-1135TC-48
Led Brand	CREE XP-L	CREE XP-G3	CREE RGBW 4 in1	CREE XP-E2
Led Quantity	16pcs	16pcs	16pcs	48pcs
Rared Power	75W	60W	100W	100W
Input Voltage	AC100-305V	AC100-305V	DC36V / AC100-305V	
Frequency Range	50/60Hz	50/60Hz	50/60Hz	50/60Hz
Color	Single	Single	RGBW	RGB
Beam Angle	2.6° 3.5° 12° 20° 30° 60° 10X70° 5X20		15° 20° 30° 15X60°	5° 8° 12.5° 30° 15X60°
Control Mode	CC/DALI/0-10V	CC/DALI/0-10V	DMX512/RDM	DMX512/RDM
Life	50000H	50000H	50000H	50000H
Protection Grade	IP66	IP66	IP66	IP66
Ambient Temperature	-25℃~50℃	-25℃~50℃	-25℃~50℃	-25℃~50℃
Ambient Humidity	10%~90%	10%~90%	10%~90%	10%~90%



# LED Tree Light TL-1136T

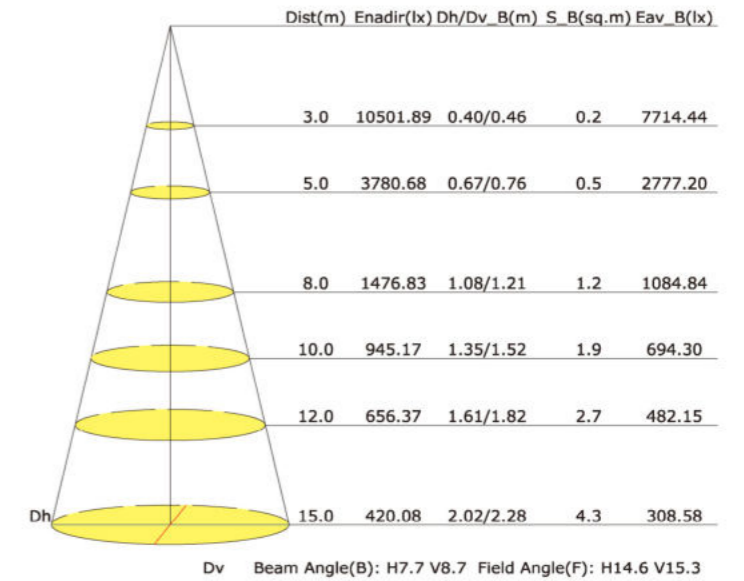
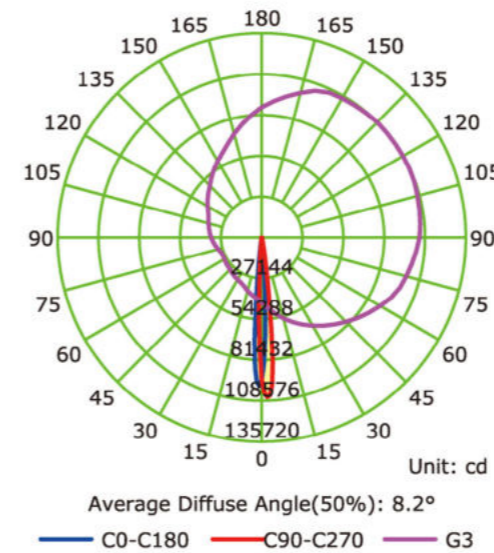


## Specification

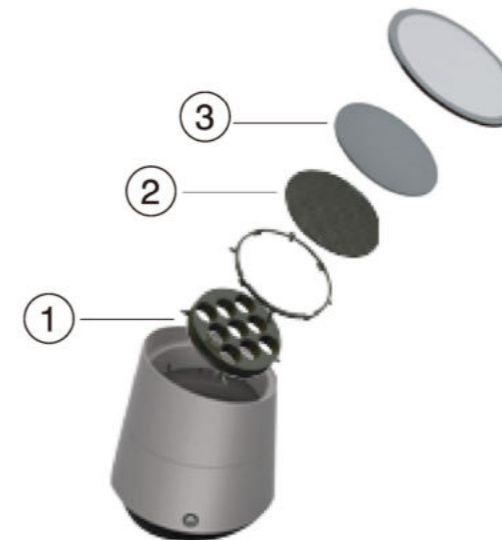
Product Code	TL-1136TE-9	TL-1136TD-9	TL-1136TF-9	TL-1136TC-27
Led Brand	CREE XP-L	CREE XP-G3	CREE RGBW 4 in1	CREE XP-E2
Led Quantity	9pcs	9pcs	9pcs	30pcs
Rared Power	45W	35W	60W	60W
Input Voltage	AC100-264V	AC100-264V	DC36V / AC100-305V	
Frequency Range	50/60Hz	50/60Hz	50/60Hz	50/60Hz
Color	Single	Single	RGBW	RGB
Beam Angle	2.6° 3.5° 12° 20° 30° 60° 10X70° 5X20°		15° 20° 30° 15X60°	5° 8° 12.5° 30° 15X60°
Control Mode	CC/DALI/0-10V	CC/DALI/0-10V	DMX512/RDM	DMX512/RDM
Life	50000H	50000H	50000H	50000H
Protection Grade	IP66	IP66	IP66	IP66
Ambient Temperature	-25°C~50°C	-25°C~50°C	-25°C~50°C	-25°C~50°C
Ambient Humidity	10%~90%	10%~90%	10%~90%	10%~90%

## Distribution Curve Flux (SBC Case)

TL-1136FE-9



TL-1135T / TL-1136T / TL-1137T



- control light accessories
1. Round-meshed grill
  2. Honeycomb grill
  3. Honeycomb glass

# LED Tree Light TL-1137T

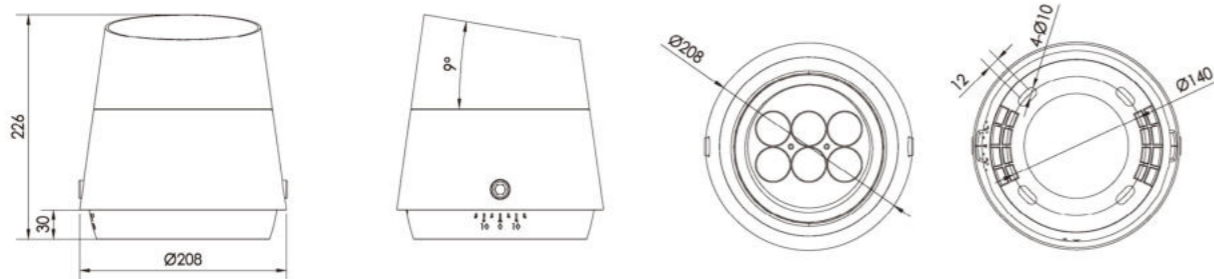
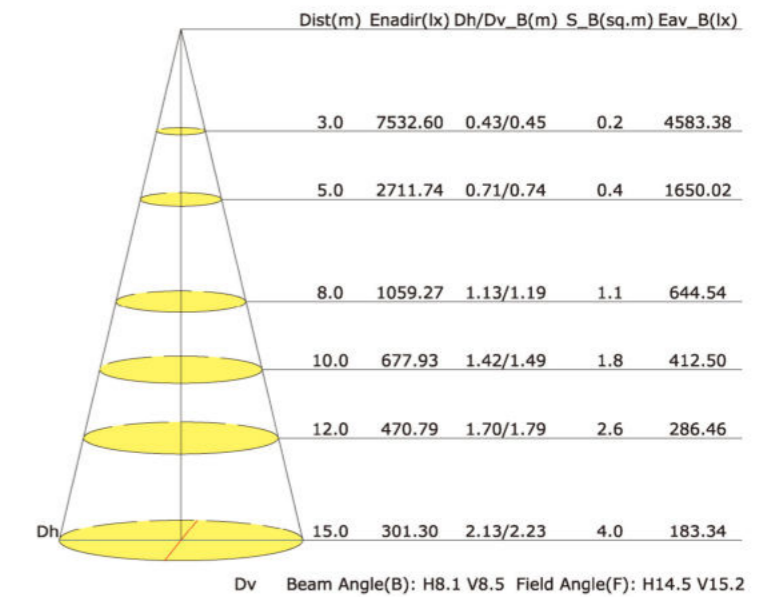
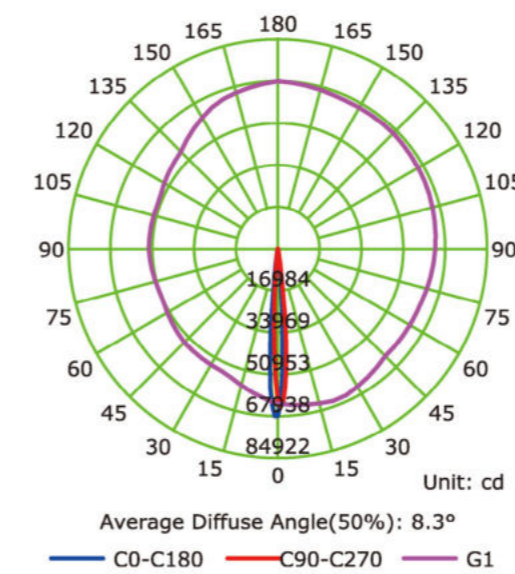


## Specification

Product Code	TL-1137TE-6	TL-1137TD-6	TL-1137TF-6	TL-1137TC-18
LED Brand	CREE XP-L	CREE XP-G3	CREE RGBW 4 in 1	CREE XP-E
LED Quantity	6pcs	6pcs	6pcs	18pcs
Rared Power	30W	22W	30W	36W
Input Voltage	AC100-264V	AC100-DC264V	DC24V/AC100-264V	DC24V/AC100-264V
Frequency Range	50/60Hz	50/60Hz	50/60Hz	50/60Hz
Color	Single	Single	RGBW	RGB
Beam Angle	2.6° 3.5° 12° 20° 30° 60° 10X70° 5X20°		15° 20° 30° 15X60°	5° 8° 12.5° 30° 15X60°
Control Mode	CC/DALI/0-10V	CC/DALI/0-10V	DMX512	DMX512
Life	50000H	50000H	50000H	50000H
Protection Grade	IP66	IP66	IP66	IP66
Ambient Temperature	-25℃~50℃	-25℃~50℃	-25℃~50℃	-25℃~50℃
Ambient Humidity	10% ~ 90%	10% ~ 90%	10% ~ 90%	10% ~ 90%

## Distribution Curve Flux (SBC Case)

TL-1137FE-6





With external 30 degree Integrated hood and internal anti-glare solution which usually for high-end museum lighting, this uplight also provides round-meshed grill, honeycomb grill, textured glass to get the "only lighting no lamp" effect.

Designed by T-Luce Europe Design Centre, whole uplight series have got CCC, CE, ETL certificates, and is applying for various Industrial design awards, and the optical design and body structure have applied for patent in China. .



Based on CREE LED chips, we develop 3.5° /12° /20° /30° /60° /10X70° /5X20° private lens for professional tree lighting, which can realize precise lighting effect.

We develop a special structure which can adjust 15deg by vertically and horizontally realized by two fixed points, and it is easy to operate and securely installed; All core parts are in the upper space of uplight, there is 130mm height for brackets and fitting parts, no influences on uplight for water lower than 130mm.

High pressure die casting aluminum light body with more than 2.5mm thickness; Patented internal and external combined heat dissipation design;

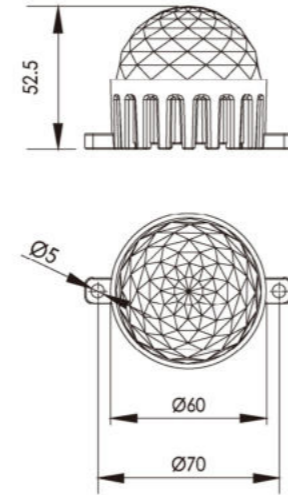
Imported silicone sealing ring ensures resistance to high/low temperature and aging; Double layer fluorocarbon coating provides a 10years ; Made in UV-resistant PC, Light base is suitable for long-term contact with the ground and has excellent corrosion resistance.



OUTLINE  
LIGHT  
SERIES

## Outline Light Series

TL-3106



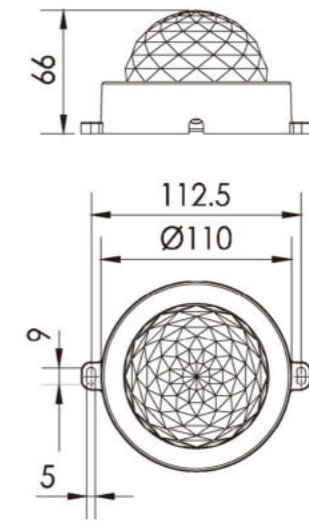
## Specification

Product Code	TL-3106C-1	TL-3106-9
LED Brand	CREE	EPISTAR
LED Quantity	1pc	9pcs
Rated Power	3W	2W
Input Voltage	DC24V/AC100-240V	DC24V/AC100-240V
Frequency Range	50/60Hz	50/60Hz
Color	Single	Single
Beam Angle	>120°	>120°
Control Mode	CC	CC
Life	50000H	50000H
Protection Grade	IP65	IP65
Ambient Temperature	-25°C ~ 50°C	-25°C ~ 50°C
Ambient Humidity	10% ~ 90%	10% ~ 90%



## Outline light series

TL-3110



## Product Introduction

- 1、LED point light series have fashionable and simple appearance, with the design of increasing heat dissipation to fully ensure the stability and long life-span of LED fixture.
- 2、Adopt double waterproof structure and easy installation ways meet the various occasions demands for outdoor projects.
- 3、Light body adopts high pressure die-casting aluminum, surface with electrostatic plastic coating. Lampshade adopts high strength toughened glass, resist the impact and friction, has excellent rainwater clean ability
- 4、Adopt SMD single color or 3in1 light source, make the light result much beautiful.
- 5、Powerful DMX512 interface adopts high reliable bus connect, all has the function of automatic addressing

## Specification

Product Code	TL-3110B-3	TL-3110A-3
LED Brand	CREE	CREE
LED Quantity	3pcs	3pcs
Rated Power	6W	3.5W
Input Voltage	DC24V/AC100-240V	DC24V/AC100-240V
Frequency Range	50/60Hz	50/60Hz
Color	RGB/Single	RGB/Single
Beam Angle	>120°	>120°
Control Mode	DMX512/CC	DMX512/CC
Life	50000H	50000H
Protection Grade	IP66	IP66
Ambient Temperature	-25°C ~ 50°C	-25°C ~ 50°C
Ambient Humidity	10% ~ 90%	10% ~ 90%

## Outline light series

TL-3210



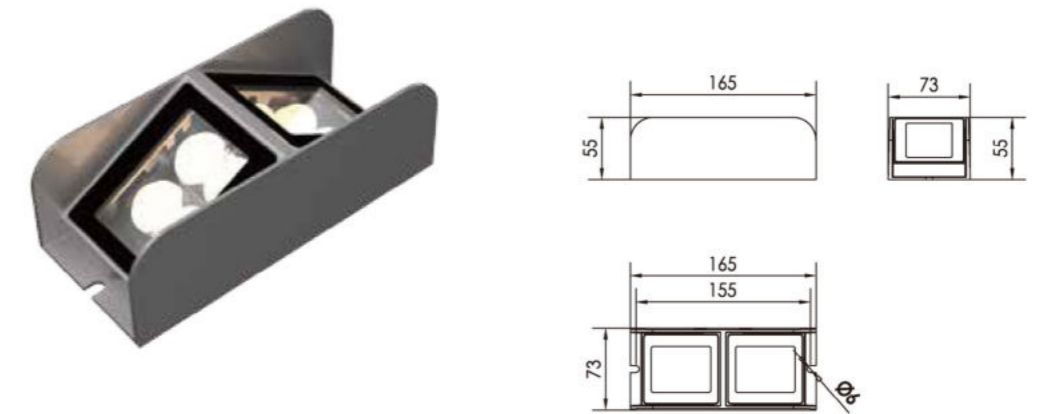
### Specification

Product Code	TL-3210R-12	TL-3210B-4	TL-3210B-2
LED Brand	CREE	CREE	CREE
LED Quantity	12pcs	4pcs	2pcs
Rated Power	14W	8W	4W
Input Voltage	DC24V	DC24V/AC100-240V	DC24V/AC100-240V
Frequency Range	/	50/60Hz	50/60Hz
Color	RGB	Single	Single
Beam Angle	2° 60°		
Control Mode	DMX512	CC	CC
Life	50000H	50000H	50000H
Protection Grade	IP65	IP65	IP65
Ambient Temperature	-25°C~50°C	-25°C~50°C	-25°C~50°C
Ambient Humidity	10%~90%	10%~90%	10%~90%



## Outline light series

TL-3230

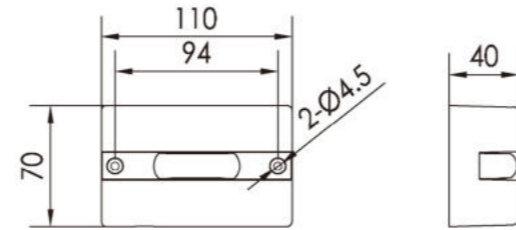


### Specification

Product Code	TL-3230C-8
LED Brand	CREE
LED Quantity	8pcs
Rated Power	20W
Input Voltage	DC24V
Frequency Range	/
Color	RGBW/Single
Beam Angle	8X120°
Control Mode	DMX512/CC
Life	50000H
Protection Grade	IP65
Ambient Temperature	-25°C ~ 50°C
Ambient Humidity	10% ~ 90%

## Outline Light Series

TL-3220



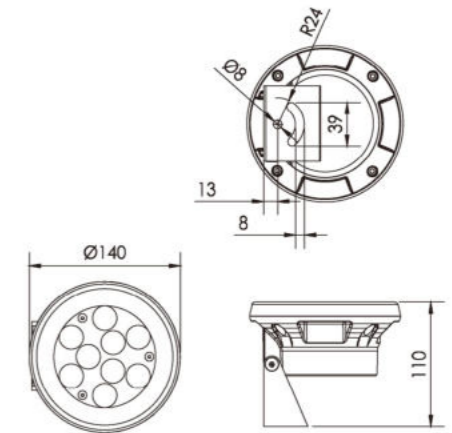
### Specification

Product Code	TL-3220A-3	TL-3220C-1
LED Brand	CREE	CREE XP-G2
LED Quantity	3pcs / 12pcs	1pcs
Rated Power	3W	3W
Input Voltage	AC100-240V/DC12V	AC100-240V/DC24V
Frequency Range	50/60Hz	50/60Hz
Color	Single/RGBW	Single
Beam Angle	2° X 120°	
Control Mode	CC/DMX512	CC
Life	50000H	50000H
Protection Grade	IP65	IP65
Ambient Temperature	- 25°C ~ 50°C	- 25°C ~ 50°C
Ambient Humidity	10% ~ 90%	10% ~ 90%



## Underwater Light Series

TL-5109



### Specification

Product Code	TL-5109B-9	TL-5109A-9
LED Brand	CREE	CREE
LED Quantity	9pcs	9pcs
Rated Power	16W	10W
Input Voltage	DC12V/DC24V	DC12V/DC24V
Frequency Range	/	/
Color	RGB/Single	RGB/Single
Beam Angle	5° 8° 12.5° 20° 30° 45°	
Control Mode	DMX512/CC	DMX512/CC
Life	50000H	50000H
Protection Grade	IP68	IP68
Ambient Temperature	- 25°C ~ 50°C	- 25°C ~ 50°C
Ambient Humidity	10% ~ 90%	10% ~ 90%

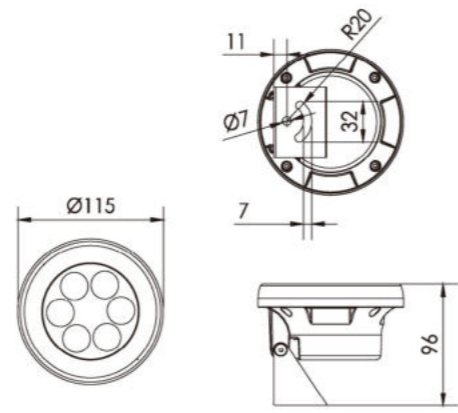




UNDERWATER  
LIGHT  
SERIES

# Underwater Light Series

TL-5106



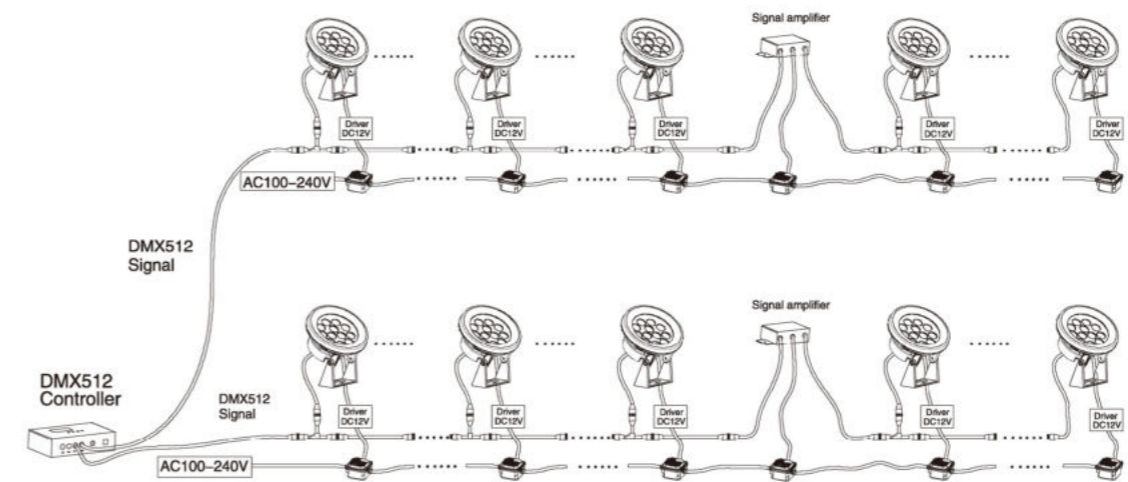
## Specification

Product Code	TL-5106B-6	TL-5106A-6
LED Brand	CREE	CREE
LED Quantity	6pcs	6pcs
Rated Power	12W	7W
Input Voltage	DC12V/DC24V	DC12V/DC24V
Frequency Range	/	/
Color	RGB/Single	RGB/Single
Beam Angle	5° 8° 12.5° 20° 30° 45°	
Control Mode	DMX512/CC	DMX512/CC
Life	50000H	50000H
Protection Grade	IP68	IP68
Ambient Temperature	- 25°C ~ 50°C	- 25°C ~ 50°C
Ambient Humidity	10% ~ 90%	10% ~ 90%

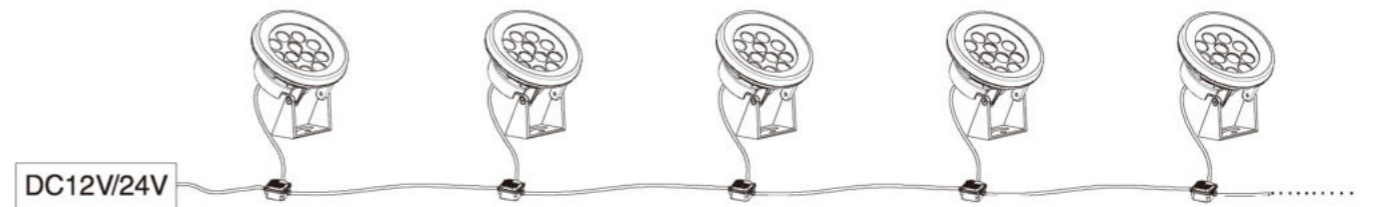


## Wiring Diagram

### RGB B

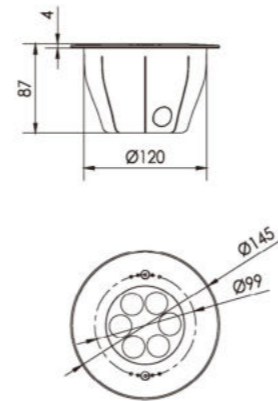


### (Single Color)



## Underwater Light Series

TL-5116



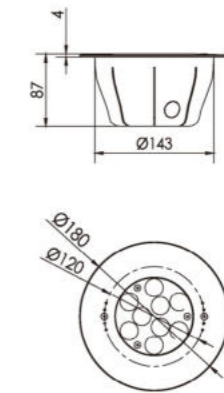
### Specification

Product Code	TL-5116B-6	TL-5116A-6
LED Brand	CREE	CREE
LED Quantity	6pcs	6pcs
Rated Power	12W	7W
Input Voltage	DC12V /DC24V	DC12V /DC24V
Frequency Range	/	/
Color	RGB/Single	RGB/Single
Beam Angle	5° 8° 12.5° 20° 30° 45°	
Control Mode	DMX512/CC	DMX512/CC
Life	50000H	50000H
Protection Grade	IP68	IP68
Ambient Temperature	- 25°C ~ 50°C	- 25°C ~ 50°C
Ambient Humidity	10% ~ 90%	10% ~ 90%



## Underwater Light Series

TL-5119



### Specification

Product Code	TL-5119B-9	TL-5119A-9
LED Brand	CREE	CREE
LED Quantity	9pcs	9pcs
Rated Power	16W	10W
Input Voltage	DC12V /DC24V	DC12V /DC24V
Frequency Range	/	/
Color	RGB/Single	RGB/Single
Beam Angle	5° 8° 12.5° 20° 30° 45°	
Control Mode	DMX512/CC	DMX512/CC
Life	50000H	50000H
Protection Grade	IP68	IP68
Ambient Temperature	- 25°C ~ 50°C	- 25°C ~ 50°C
Ambient Humidity	10% ~ 90%	10% ~ 90%





## OFFICES

### EUROPE

T-Luce Italia srl  
Viale Giacomo Matteotti 15, Firenze 50121, Italy

europa@t-luce.com  
+39 3281425503

### MIDDLE EAST

Tecno Hub 2, 2nd floor Office 212,  
Dubai, Silicon Oasis (UAE)

middleeast@t-luce.com  
+971 526627708

### ASIA

2263 Pasong Tamo Extension,  
Magallanes, Makati City

asia@t-luce.com  
+632 8893 2403



T-Luce Italia srl  
Viale Giacomo  
Matteotti 15, Firenze 50121  
Italy

[info@t-luce.com](mailto:info@t-luce.com)  
+39 3281425503